

## Wash Basin Security Round - Type 2

Basin unit for high security prisons and detention centres and all public amenities where vandalism can be a costly problem.

Fully welded seamless stainless steel construction for superior strength and hygiene. Radius front edge minimises risk of user injury.

Button fitted to side of unit for easy reach.

Model :  
SPPL.WB.SR2.WM.E.HD



### Models:

**SPPL.WB.SR2.WM.X.Y**

### Code Breakdown;

SPPL	Standard Product Plumbing
WB	Wash Basin
SR2	Security Round Type 2
WM	Wall Mounted
X	E - Electronic button M - Manual button
Y	Blank - Standard specification with Front access panel HD - Heavy duty specification RA - Rear Access T - Toilet roll holder

### Examples;

SPPL.WB.SR2.WM.E  
SPPL.WB.SR2.WM.E.HD  
SPPL.WB.SR2.WM.E.RA  
SPPL.WB.SR2.WM.E.T

### Features and Benefits:

- Concealed plumbing & fixings for absolute vandal resistance.
- Secure Drain prevents unauthorised access.
- 1.6mm (Std) or 2.0mm (HD) stainless steel provides superior strength & hygiene.
- Edge is rounded with a smooth radius for safety.
- Water conserving security bubbler controls water flow for drinking and hand washing.
- Hemispherical Bubbler provides improved anti-hang safety and feature anti-rotate to prevent removal by users.
- Electronic dispensing button can be interfaced with building water management control systems.
- Electronic dispensing button provides maximum serviceability and resistance to damage.
- The Manual button option has a secure button in the right hand side of the shroud.
- Optional Front Access Panel is available for Police Stations with no rear service access duct.
- Shape matches the Toilet Combination unit SPPL.TP.CR
- Unit shape satisfies the free space requirements of AS 1428.1-2001 for design for access and mobility. For enhanced access, Taps are replaced by a single easy touch piezo button that requires just 3-5N Force to activate timed water flow. By special request, the easy touch piezo button can be custom positioned off-centre on splashback



ASSDA  
ACCREDITED

Due to continuous product research and development, the information contained herein is subject to change without notification.



# Wash Basin Security Round -Type 2

**Specifications:**

**Construction:** **Standard Specification**  
Body & shroud – 1.6mm stainless steel, No.4 finish.  
**Optional Heavy Duty Specification**  
Body & shroud - 2.0mm stainless steel, No.4 finish.

**Basin:** 15 mm mains connection. The basin valve is pre-plumbed and secured with a bracket for ease of connection and service.

**Basin Outlet:** 40 mm threaded basin connection to suit PVC S or P trap.

**Bubbler:** Solid stainless steel anti-rotate & anti-hang bubbler.

**Toilet Roll Holder:** Optional cylindrical recess for holding Toilet roll can be positioned in the shroud.

**Unit Fixing:** The standard model has a secure Front Access Panel (FA) and comes with an easy mount Fixing bracket. For use with a service duct use the Rear Access (RA) model comes with a mounting frame or rods for through wall fixing. For ease of access, the water flow valve & solenoid can be mounted in the service duct and connected to the bubbler by flex.

**Mounting Height** This unit can be mounted at 770-800 above FFL for disabled use. Easy Mount Bracket has notches to assist height level positioning.

**Models:**

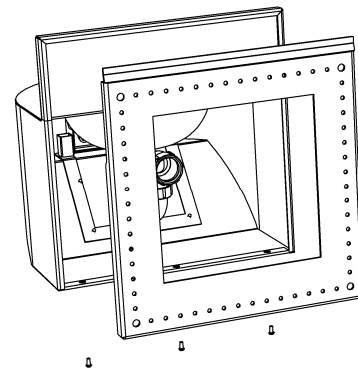
**SPPL.WB.SR2.WM.X.Y**

**Code Breakdown;**

SPPL	Standard Product Plumbing
WB	Wash Basin
SR2	Security Round Type 2
WM	Wall Mounted
X	E - Electronic button M - Manual button
Y	Blank - Standard specification with Front access panel HD - Heavy duty specification RA - Rear Access T - Toilet roll holder

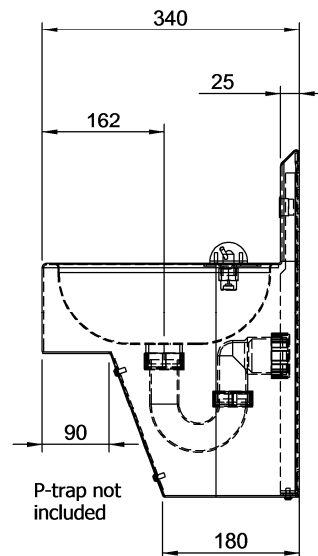
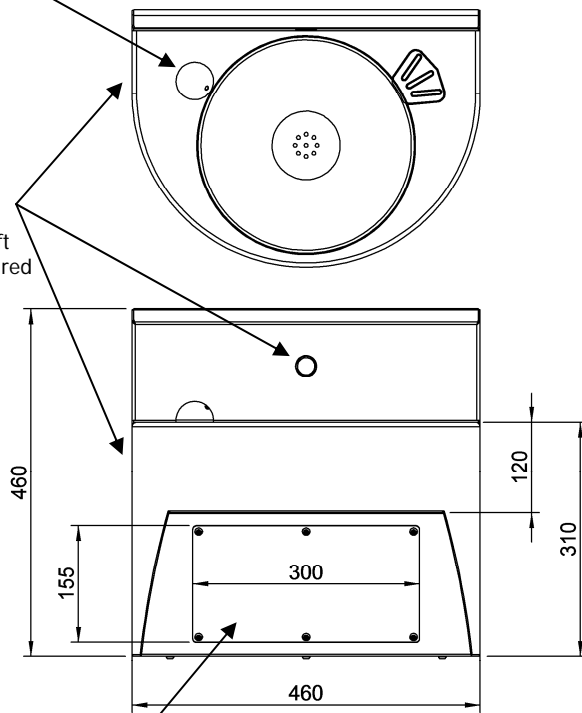
**Examples;**

SPPL.WB.SR2.WM.E  
SPPL.WB.SR2.WM.E.HD  
SPPL.WB.SR2.WM.E.HD.RA  
SPPL.WB.SR2.WM.E.T



Bubbler is positioned at 10 o'clock, close to bowl for optimum hygiene, access & safety. (Custom positioning options are available).

The Piezo button is located in centre of splashback or on left side of unit as required by client.



Std Front access Panel is secured with 6 Torx screws

Due to continuous product research and development, the information contained herein is subject to change without notification.