

Wash Basin - Wand Operated- Wall Mounted

Hygienic Hands Free operation for cleaning hands in Kitchens and Laboratories. This is a must have for hospital and scientific laboratories and for all food preparation areas. Ideal for small kitchens found in service-stations, road-houses and convenience stores where staff are handling food.

Models:

WB R WM WO

Round Wall Mounted Wash Basin with Wand Operated tempered water valve



Features & Benefits;

Unit comes complete with splash-back to meet regulation requirements (no tiles required)

Wand activated flow valve provides hands free water access for easy hand-washing and superior water conservation.

Tempering valve controls water temperature for more effective hygiene.

Designed for easy installation and years of trouble free use.

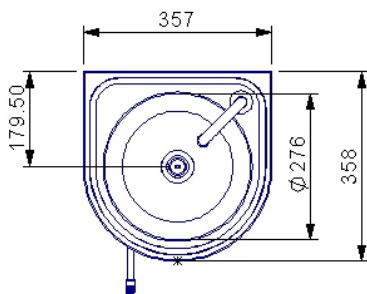
Wash Basin - Wand Operated-Wall mounted

Specifications

Construction:	Fully welded seamless construction, Stainless Steel polished to No 4 brushed finish.
Tapware:	Supplied with spring action wand operated valve
Water Supply:	Single 15mm (1/2" BSP)
Waste Connection:	40mm.
Unit Fixing:	The unit is supplied with stainless steel easy-mount wall bracket with 10mm dia wall fixing holes.

Models:

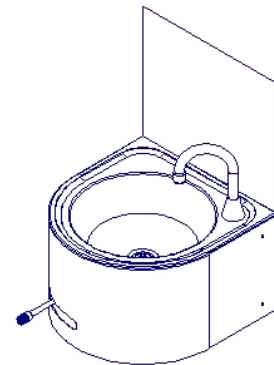
WB R WM WO	Round Wall Mounted Wash Basin with Wand Operated tempered water valve
-------------------	--



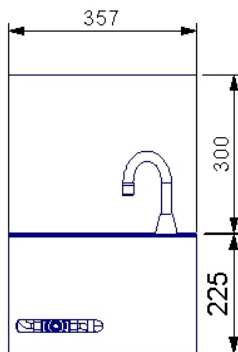
PLAN VIEW

Product Details

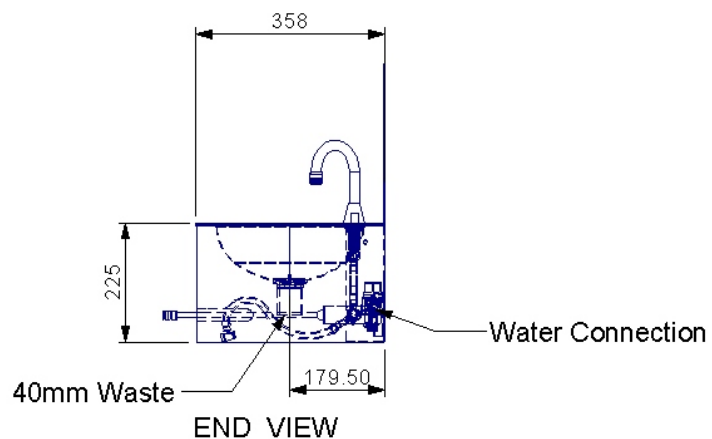
Waste	: 40mm
Water Connection	: 1/2" BSP Tempering Valve



ISOMETRIC VIEW



FRONT VIEW



END VIEW