



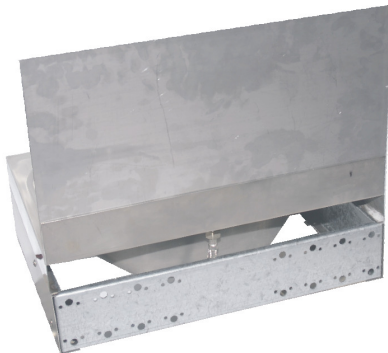
Wash Basin - Knee Operated

Stoddart Manufacturing designed and introduced the full front knee operated front panel to provide easy access to hygienic hand washing. A simple nudge with either your left or right knee or thigh activates the timed water flow.

The standard unit comes with a 300mm stainless steel splashback to comply with the health and plumbing requirements of most authorities.

The most popular option for kitchens has a tempering valve pre-fitted to provide comfort and improved cleaning.

Models:	SPPL.WB.KO1.300.xx
SPPL	Standard Plumbing Product
WB	(Hand) Wash Basin
KO1	Knee operated front push Hand Wash Basin (without lower plumbing shroud)
300	300mm stainless steel splashback
xx	TV = Tempering valve



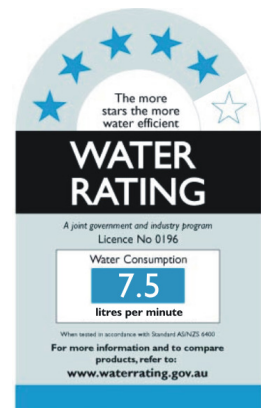
Easy mount single piece bracket is available in gal or stainless with multiple fixing holes pre-punched



300mm splashback complies with health requirements of most authorities

Features and Benefits:

- Full front panel "Easy Push" button - can be easily activated with either left or right knee for hygienic hands free use.
- Includes hygienic, aerated, high rise spout for easy access and minimum splash.
- Comes fitted with Timed flow valve for hand washing and water conservation
- Environmentally conscious Wels rated valve controls flow to 7.5 litres per minute.
- The standard unit comes with a 300mm stainless steel splashback to comply with plumbing requirements of most authorities
- The most popular option for kitchens has an optional tempering valve pre-fitted to provide comfort and improved cleaning power.
- Suitable for use where disabled access is required.
- Easy mount single piece bracket has multiple fixing holes for quick installation by plumber.
- Bracket is standard in Galvanised steel.



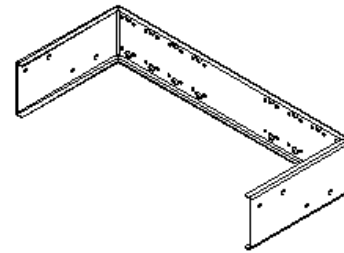
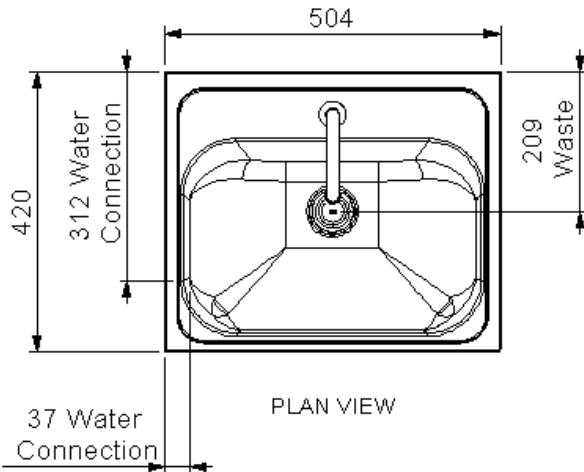
Due to continuous product research and development, the information contained herein is subject to change without notification.



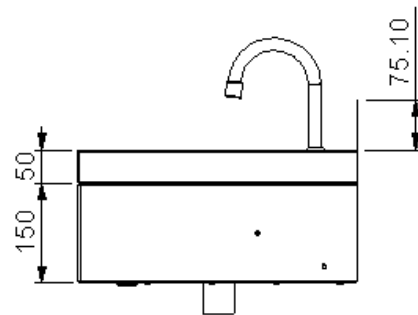
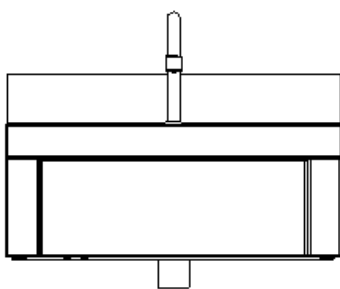
Wash Basin - Knee Operated

Specifications:
Construction: Fully welded seamless construction, polished to No 4 brushed finish.
 1.2mm stainless steel 304 grade.
 Unit is fully pre-plumbed.
 Knee operated 6 second timed flow valve
Waste Connection: 40mm.
Water Supply: Single 15mm (1/2" BSP)
Unit Fixing: The unit is supplied with 1.6mm stainless steel wall mounting bracket with 10 mm fixing holes.
 Basin is fixed to with 6mm fixings
Disabled Fixing Height Recommended fixing height from top of unit to finished floor level is 780mm to 800mm.

Models: SPPL.WB.KO1.300.xx
 SPPL Standard Plumbing Product
 WB (Hand) Wash Basin
 KO1 Knee operated front push Hand Wash Basin (without lower plumbing shroud)
 300 300mm stainless steel splashback
 xx TV = Tempering valve



WALL BRACKET



300mm splash back is fitted on site with commercial grade double sided tape. It should cover the sink return and be fitted approx 2mm above corner to allow access for cleaning in service.

Due to continuous product research and development, the information contained herein is subject to change without notification.