



Stainless Urinal -Tear Drop

Stoddart Stainless Steel Tear Drop Urinal is the environmentally conscious choice for all public and executive toilet rooms.

WELS 5 star rated for less than 1 litre flush puts this stainless steel urinal in the best performing category. The Stoddart Tear Drop Urinal flushes urinal effectively with as little as 400ml/ flush.

Models:	SPPL.UR.T.xx
Code Breakdown;	
SPPL	Standard Product Plumbing
UR.T	Urinal, Tear-drop shape
xx	MS - Manual single flush ES - Electronic single flush WT - Waterless trap
Examples;	
	SPPL.UR.T.MS SPPL.UR.T.ES

The electronic sensor detects users and flushes efficiently.



Mounting and connection is easy.

Flush valve is mounted low for easy access.



Manual flush units are also available.



Features and Benefits:

- Ultra modern designed teardrop urinal looks great for public amenities and executive toilets.
- Superior damage resistance makes this the 1st choice for all locations prone to vandalism.
- Highly polished stainless steel for good looks and superior hygiene.
- Environmentally responsible, water efficient design.
- Electronic sensor flush option can be programmed for flushing after each use or periodic flushes. - Periodic flush is ideal for stadiums where seasonal use required offseason top-ups for trap.
- Manual Flush option is low maintenance and good for remote installations.
- Unit can be ordered with either a chrome plated 40mm waste P trap or a PVC S&P trap with a Stainless Steel Trap Cover.
- Optional copper riser water feed pipe can be purchased to allow feed from tap fitting mounted on wall below urinal.



Due to continuous product research and development, the information contained herein is subject to change without notification.



Stainless Urinal -Tear Drop

Specifications:

Construction: Fully welded seamless construction
Flushing: 20mm mains connection to flush valve.
Unit Fixing: Refer to installation sheet supplied with product;
 Remove flush unit cover, connect flex and waste, hang vertically on wall with 6 mounting screws, Connect plumbing, if electronic option; connect battery and fit cover, If manual option; adjust flush valve travel to match button if required and fit cover.
 Trap cover can be used to hide and protect PVC trap.
 Waterless style trap can be fitted as alternative to P/S trap.
 Optional water feed pipe can be used for low water connection points.

Models:

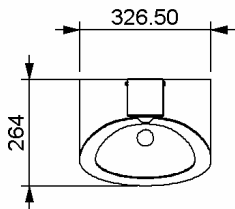
SPPL.UR.T.xx

Code Breakdown;

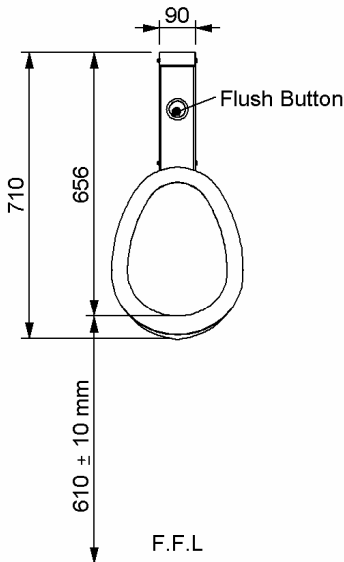
SPPL	Standard Product Plumbing
UR.T	Urinal, Tear-drop shape
xx	MS - Manual single flush ES - Electronic single flush WT - Waterless trap

Examples;

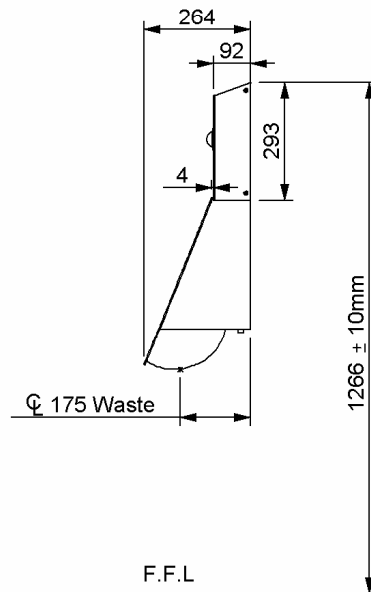
SPPL.UR.T.MS
 SPPL.UR.T.ES



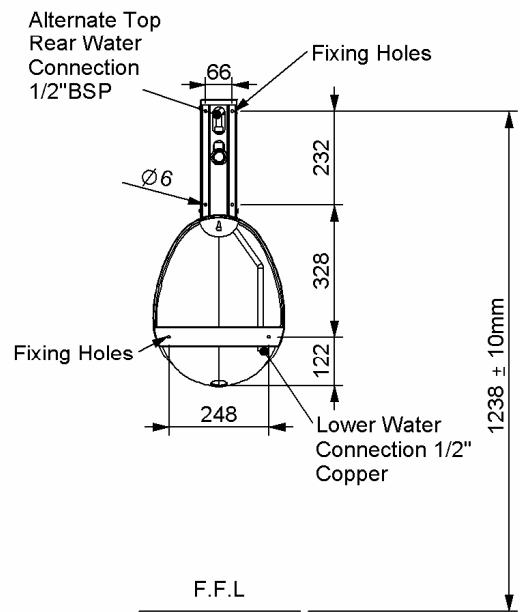
PLAN VIEW



FRONT VIEW



END VIEW



REAR VIEW

Due to continuous product research and development, the information contained herein is subject to change without notification.