

Drinking Trough S7

Fitted with splashback mounted bubbler taps

Safe, stainless steel drinking trough complete with Galvin Ezy-drink horizontal drink taps are ready to install. Tap holes are positioned at 450mm centres. & set right-of-centre for fountain trajectory to the left for easy, splash free drinking access. Wastes can be ordered either left or right.

Choice of three Chrome Plated Galvin Tap configurations;

- TD90P - push button action
- TD90L - lever action
- TD90C - cam action

Trough is manufactured from 1.2mm, 304 grade stainless steel for long service life and has radius corners to ensure easy maintenance and cleaning.

The S7 Troughs are designed for easy installation using Z mounting clips for hanging level on wall so that the two high strength angle bracket supports can be quickly secured to provide strength.



Models:

SPPL.DT.S7L.P.xxxx.

SPPL.DT.S7R.P.xxxx

SPPL.DT.S7L.L.xxxx.

SPPL.DT.S7R.L.xxxx

SPPL.DT.S7L.C.xxxx.

SPPL.DT.S7R.C.xxxx

SPPL.DT.S7L.P.xxxx

Left hand end waste,

Push button taps

Right hand end waste,

Push button taps

Left hand end waste,

Lever action taps

Right hand end waste,

Lever action taps

Left hand end waste,

Cam action taps

Right hand end waste,

Cam action taps

Where xxxx is the length of the trough

Example Code	Length	No of Taps
SPPL.DT.S7L.P.0900	900mm	2
SPPL.DT.S7L.P.1200	1200mm	2
SPPL.DT.S7L.P.1500	1500mm	3
SPPL.DT.S7L.P.1800	1800mm	4
SPPL.DT.S7L.P.2000	2000mm	4
SPPL.DT.S7L.P.2400	2400mm	5
SPPL.DT.S7L.P.2700	2700mm	6
SPPL.DT.S7L.P.3000	3000mm	6
SPPL.DT.S7L.P.3300	3300mm	7
SPPL.DT.S7L.P.3600	3600mm	8
SPPL.DT.S7L.P.4000	4000mm	9
SPPL.DT.S7L.P.XXXX	Custom	X

Features and Benefits:

Designed for schools

Radius corners for easy cleaning, hygiene and safety

1.2mm stainless steel for superior strength & hygiene

Concealed plumbing & fixings for vandal resistance

Galvin Drink taps are vandal resistant, heavy duty chrome finished and approved to Watermark Lic. W034

Bubblers are fitted with unique mouth-guards protect teeth from damage

Environmentally conscious on/off action and push button timed flow save water

Water height control valve provides constant water flow regardless of pressure



Due to continuous product research and development, the information contained herein is subject to change without notification.



Drinking Trough S7

Fitted with splashback mounted bubbler taps

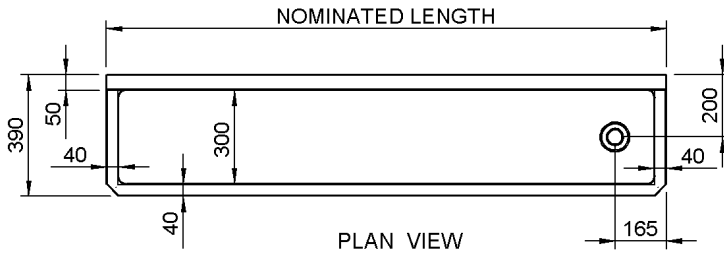
Specifications:

- Construction:** Fully welded seamless construction stainless steel No 4 brushed finish.
- Waste Fitting:** 50mm PVC waste supplied.
- Tap Locations:** Tap holes are punched in the splash back at 450mm centres set right-of-centre for fountain trajectory to left for easy, splash free drinking access
- Unit Fixing:** The unit is supplied with stainless steel wall mounting brackets and stainless steel splash back Z Clips to secure the top of trough to the wall for a simple and neat installation. Stainless steel wall brackets have 11mm diameter fixing holes.

Models:

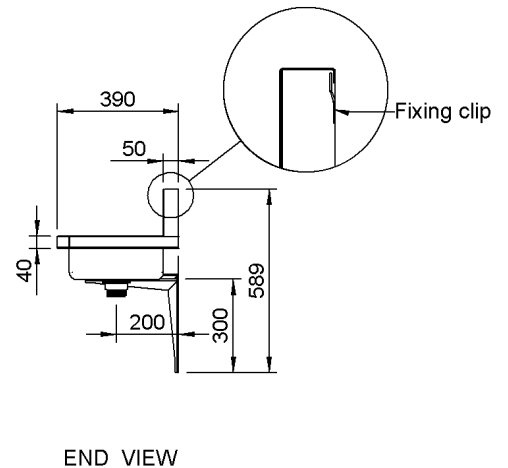
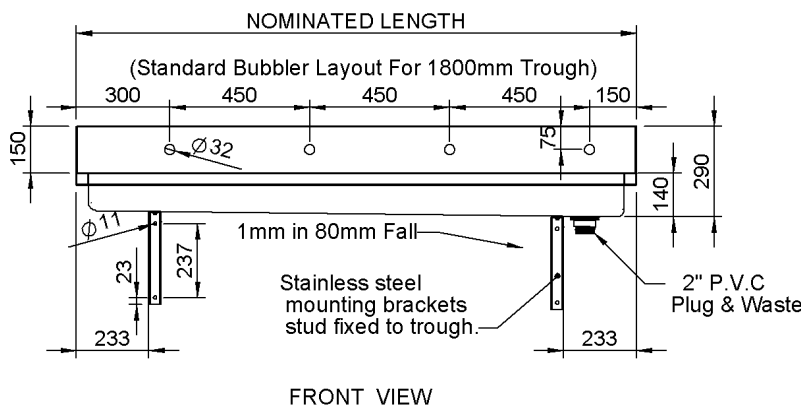
SPPL.DT.S7L.P.xxxx

- SPPL.DT S7L.P.xxxx. Left hand end waste, Push button taps
- SPPL.DT S7R.P.xxxx Right hand end waste, Push button taps
- SPPL.DT S7L.L.xxxx. Left hand end waste, Lever action taps
- SPPL.DT S7R.L.xxxx Right hand end waste, Lever action taps
- SPPL.DT S7L.C.xxxx. Left hand end waste, Cam action taps
- SPPL.DT S7R.C.xxxx Right hand end waste, Cam action taps
- Where xxxx is the length of the trough



R/H WASTE SHOWN

CENTRE WASTE AVAILABLE - AS AN EXTRA



Due to continuous product research and development, the information contained herein is subject to change without notification.