

Drinking Fountain- Metro Wall Mounted

Models:

DF M WM Metro Wall Mounted

Ideal for installation at Disabled access heights

Very popular model for installation in schools, hospitals, offices and Metro shopping centres because it can be easily used by all people, can be mounted to most walls and is very aesthetically pleasing.



Features & Benefits;

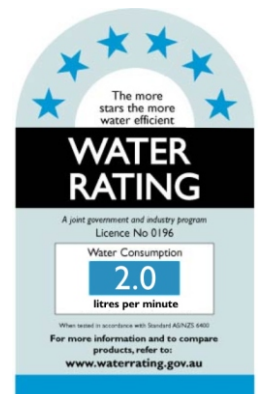
Large front mounted button with timed release valve and Wels rated bubbler ensures easy access for all people and optimises water conservation.

Very sturdy design is vandal resistant and full stainless steel construction ensures corrosion resistance & long service life.

Comes with easy mount wall bracket for quick installation.



Suitable for use where disabled access is required.



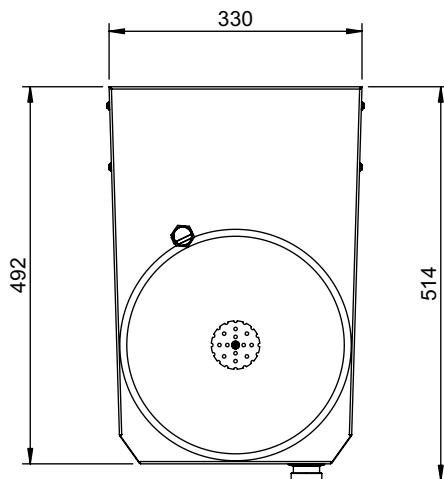
Drinking Fountain- Metro Wall Mounted

Specifications

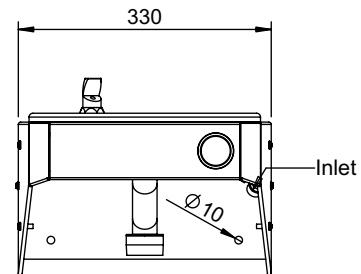
Construction:	Fully welded seamless stainless steel construction, polished to No 4 brushed finish. Unit is fully pre-plumbed.
Water Supply:	Single 15mm (1/2" BSP)
Waste Connection:	40mm.
Unit Fixing:	The unit is supplied with stainless steel wall mounting bracket with 10 diameter fixing holes. Drink fountain is fixed to bracket with 6mm stainless steel fixings.
Disabled Access:	Fixing height from top of unit to finished floor level is 780mm to 800mm.

Models:

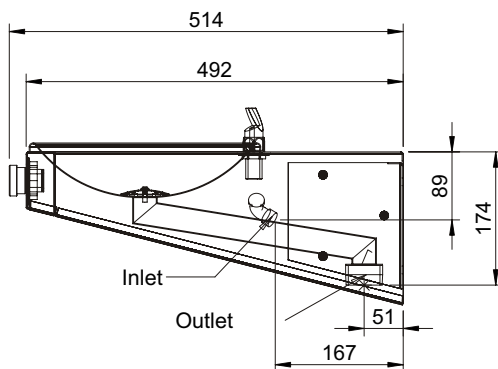
DF M WM	Metro Wall Mounted
Ideal for installation at Disabled access heights	



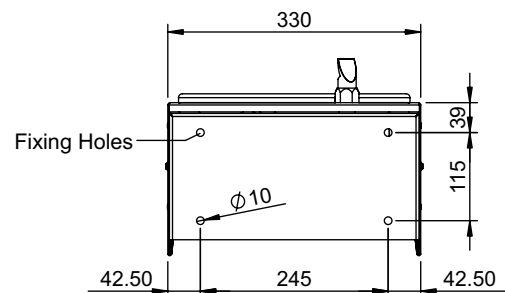
PLAN VIEW



FRONT VIEW



INTERNAL VIEW



REAR VIEW