

# Stainless Grab Rails

Stoddart stainless Steel Grab Rails and Disabled Grab Rails provide safety and convenience for public amenity users. Each Model complies with AS.1428.1-1998. The strong and vandal resistant design also makes them an ideal choice for using as general purpose wall mount hand rails in many public use applications. Grab rails are an essential component of a well designed modern convenience.

**Features and Benefits:**

Stainless Steel construction provides good hygiene and long service life.

Each Model complies with AS.1428.1-1998

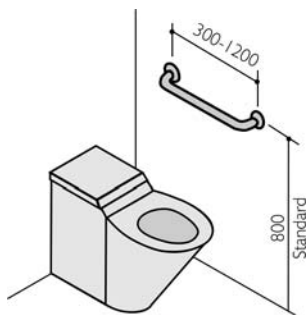
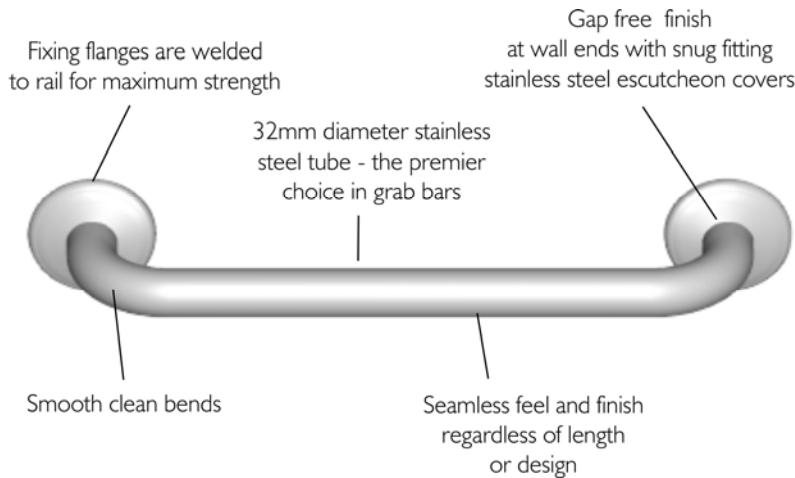
Meet local Government Requirements

Substantial 75mm diameter fixing flanges provide strength & ease of installation.

Attractive stainless steel cover-plates conceal flanges & mounting screws.

**Models:**

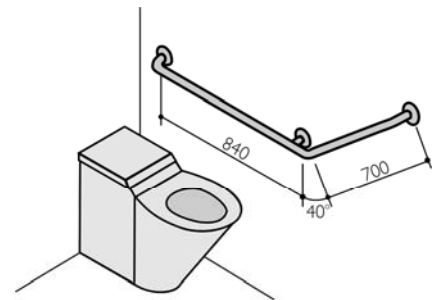
SPPL.GR.00.xxxx	Grab Rail
Where xxxx = 300, 600, 900 or 1200	
SPPL.GR.90.940.600	Disabled 90° Grab Rail
SPPL.GR.40.840.700	Disabled 40° Grab Rail
SPPL.GR.VAR	Custom Grab Rail



SPPL.GR.00.xxxx



SPPL.GR.90.940.600



SPPL.GR.40.840.700

# Stainless Grab Rails

**Standards:**

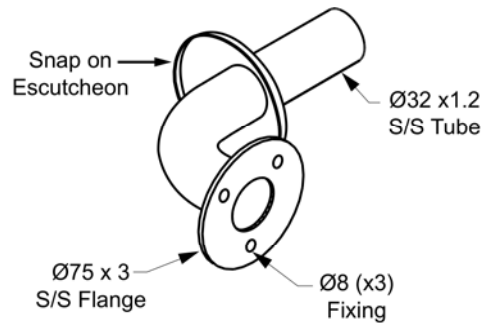
32mm diameter, seamless stainless steel tube

Satin finish is standard

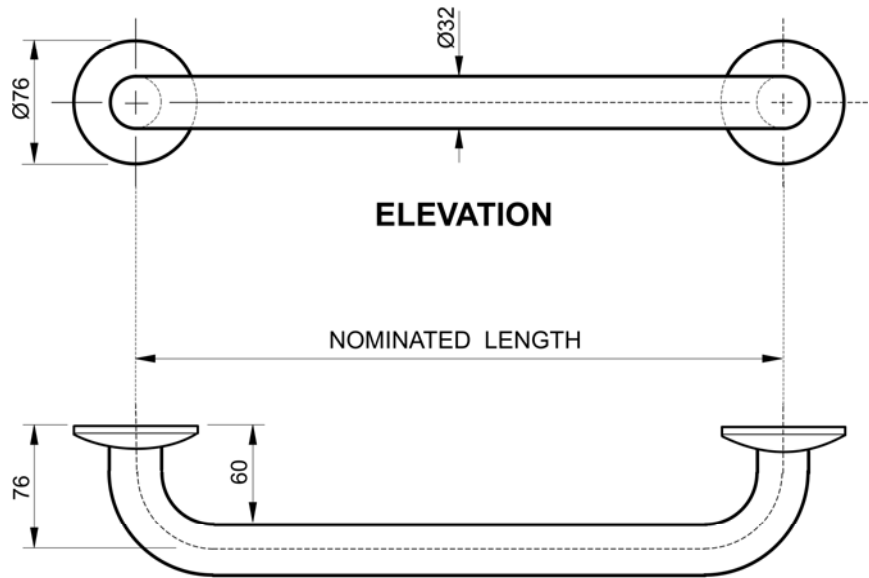
71 mm stand off from wall to centreline of rail

**Models:**

SPPL.GR.00.xxxx	Grab Rail
Where xxxx = 300, 600, 900 or 1200	
SPPL.GR.90.940.600	Disabled 90° Grab Rail
SPPL.GR.40.840.700	Disabled 40° Grab Rail
SPPL.GR.VAR	Custom Grab Rail



**DETAIL**



**ELEVATION**

**PLAN**

Due to continuous product research and development, the information contained herein is subject to change without notification