



Floor Trough – Rolled edge

Straight Length, Rolled edge & Square corners
Normal 90mm basket waste in centre waste

Rolled Edge Stainless Steel Floor Troughs are perfect for collecting run off from shower areas.

The troughs are designed for ease of installation in the floor during construction.

They are designed to provide function & good looks for an economical price. The trough can be matched with a variety of grates. The standard grate is a Type 1; class A, stainless steel wedge wire design with slip resistance and aperture sizes for protecting high heels. Please refer to the addition technical data sheets for grate selection information.

The troughs meet Australian Standards and are made in Australia by Stoddart Manufacturing who has 50 years experience in stainless steel fabrication.

The Rolled Edge Stainless Floor Trough range consists of; Straight troughs, U Shape troughs, L Shape troughs and T Shape troughs. 50 mm waste is standard. The spigot fits into a 50mm PVC waste pipe.

Models:

SPFT.SR5.C.1.W.L

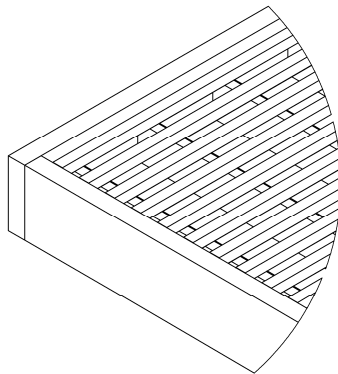
Code Breakdown

SPFT	= Standard Product Floor Trough
S	= Straight floor trough
R	= Rolled edge & square corners
5	= 50 mm waste outlet
C	= Centre Waste
1	= Type 1 grate (5mm wire spacing with 12mm support bars at 25mm centres)
W	= Grate width (mm) std 60, 100
L	= Total grated length (mm) Std 600, 900, 1200, 1500, 1800, 2100, 2400, 2700, 3000

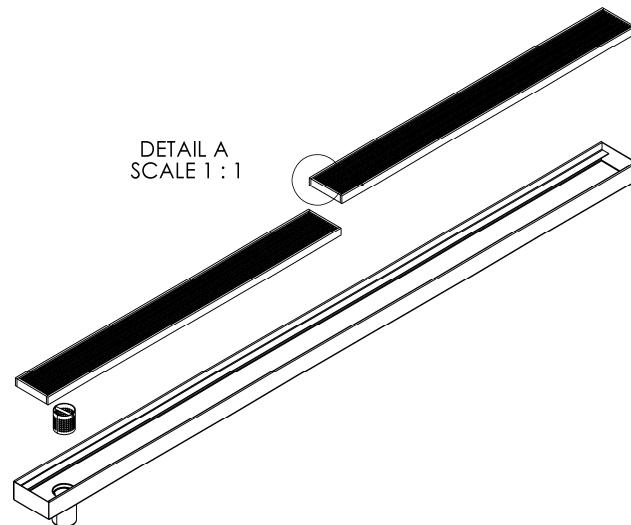
Note: For overall trough size, add 5 mm to grate width and length.

To specify or order

e.g. SPFT.SR5.C.1.200.1800



Detail A: Type 1 Heelguard
Class A stainless steel, slip
resistant floor grate.



Features and Benefits:

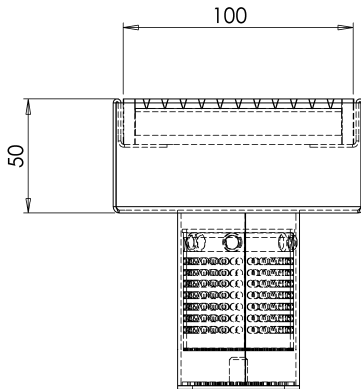
- Cost efficient solution for Class A applications such as Shower Rooms
- Constructed from 1.2 mm thick, 304 Stainless Steel. Ends are fully welded and finished to a No.4 grade polish.
- Small aperture non slip high strength grating for heavy foot and trolley traffic.
- 50mm diameter outlet for connection to standard drainage pipe.
- Standard is flat tray. Fall to waste is optional for longer trays.

Due to continuous product research and development, the information contained herein is subject to change without notification.



Floor Trough – Rolled edge

Straight Length, Rolled edge & Square corners
Normal 90mm basket waste in centre waste



Detail D: Basket Waste in floor trough end view

Models:

SPFT.SR5.C.1.W.L

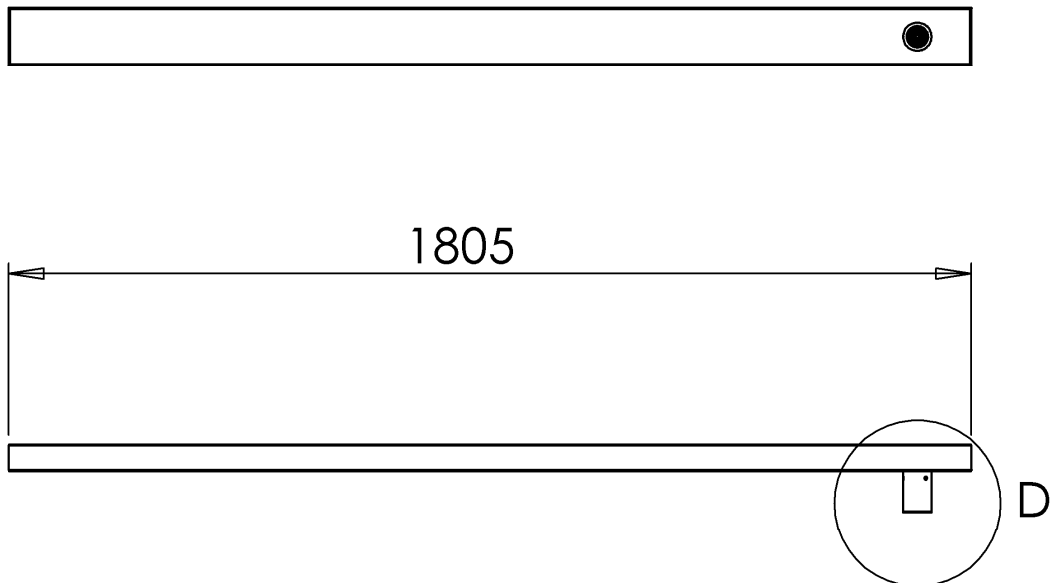
Code Breakdown

- SPFT = Standard Product Floor Trough
- S = Straight floor trough
- R = Rolled edge & Square corners
- 5 = 50 mm waste outlet
- C = Centre Waste
- 1 = Type 1 grate (5mm wire spacing with 12mm support bars at 25mm centres)
- W = Grate width (mm) std 60, 100
- L = Total grated length (mm) Std 600, 900, 1200, 1500, 1800, 2100, 2400, 2700, 3000

Note: For overall trough size, add 5 mm to grate width and length.

To specify or order

e.g. SPFT.SR5.C.1.200.1800



Due to continuous product research and development, the information contained herein is subject to change without notification.