



## Floor Trough

Straight Length, Box edge & Square corners  
Normal 90mm basket waste at 1 end.

Stainless steel floor troughs are perfect for collecting run off from commercial kitchen floors and public use areas.

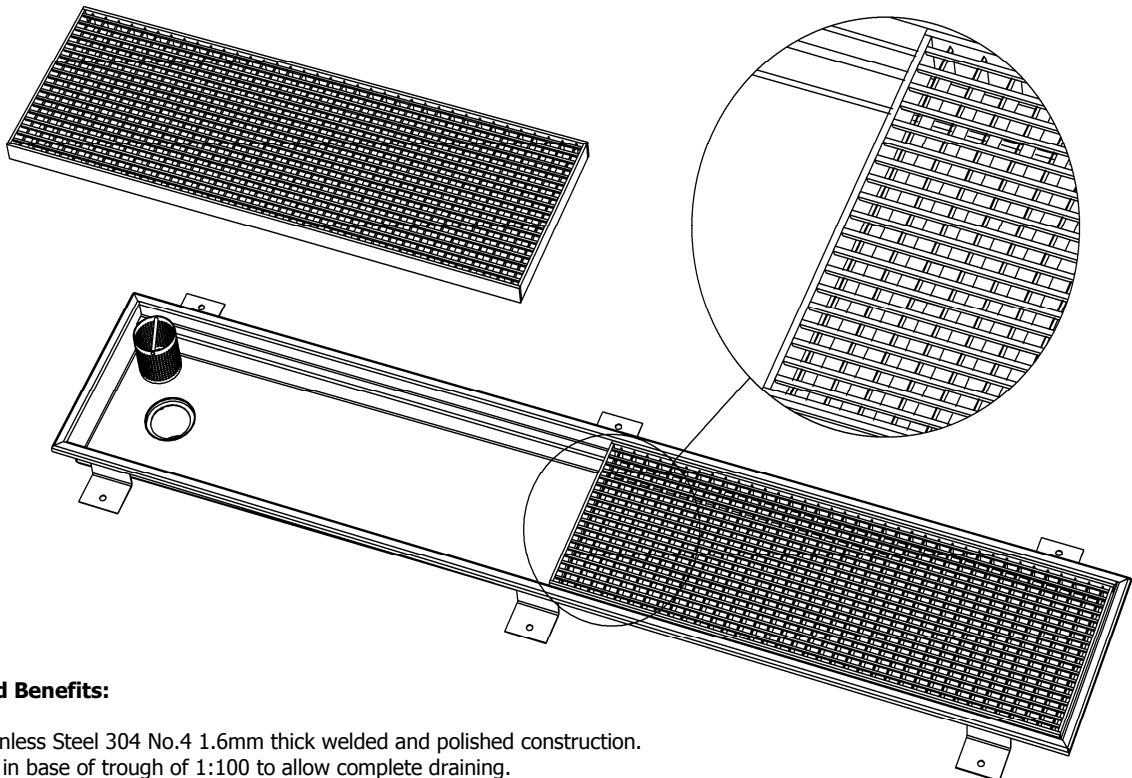
The troughs are designed for ease of installation in the floor during construction and come complete with fixing brackets and furnco slip-in waste coupling.

They are designed to stand the torture of heavy kitchen traffic and come with matched grates that can be selected according to load class A, B, C or D, slip resistance and aperture size for protecting high heels.

The troughs meet Australian Standards and are made in Australia by Stoddart Manufacturing who has 50 years experience in stainless steel fabrication.

The Stainless Floor Trough range consists of; Straight troughs, U Shape troughs, L Shape troughs and T Shape troughs with either Square or Radius corners in the base of the troughs and single or multiple waste outlet positions that include either 90mm or 140mm waste baskets.

Please refer to the addition technical data sheets for grate selection information.



### Features and Benefits:

- Stainless Steel 304 No.4 1.6mm thick welded and polished construction.
- Fall in base of trough of 1:100 to allow complete draining.
- The square top edge profile is designed to be used when concrete is to poured in situ around the trough.
- The underside of the square edge is filled with epoxy resin to provide solid support for Class D applications
- Angle Brackets to allow fixing to floor prior to concrete pouring.
- Small aperture, slip-resistant, high strength grating for high heel shoes, heavy foot and slow moving commercial vehicles.
- Removable stainless steel perforated basket with solid handle fitted to recess in trough floor.
- 90mm diameter outlet for connection to standard drainage pipe.

### Models:

#### SPFT.SAN1.3.W.L

Code Breakdown

SPFT = Standard Product Floor Trough

S = Straight floor trough

A = Boxed edge & Square corners

N = Normal basket waste outlet 90mm diameter

1 = 1 end waste

3 = Type 3 grate (5mm wire spacing with 25mm x3mm support bars @ 25mm spacing)

W = Grate width (mm) std 150, 200, 250, 300

L = Total grated length (mm) Std 600, 900, 1200, 1500, 1800, 2100, 2400, 2700, 3000

Note: For overall size of trough, add 46mm to width and length of the grates.

To specify or order

e.g. SPFT.SAN1.3.200.1800

Due to continuous product research and development, the information contained herein is subject to change without notification.



# Floor Trough

Straight Length, Box edge & Square corners  
Normal 90mm basket waste at 1 end.

**Models:**

**SPFT.SAN1.3.W.L**

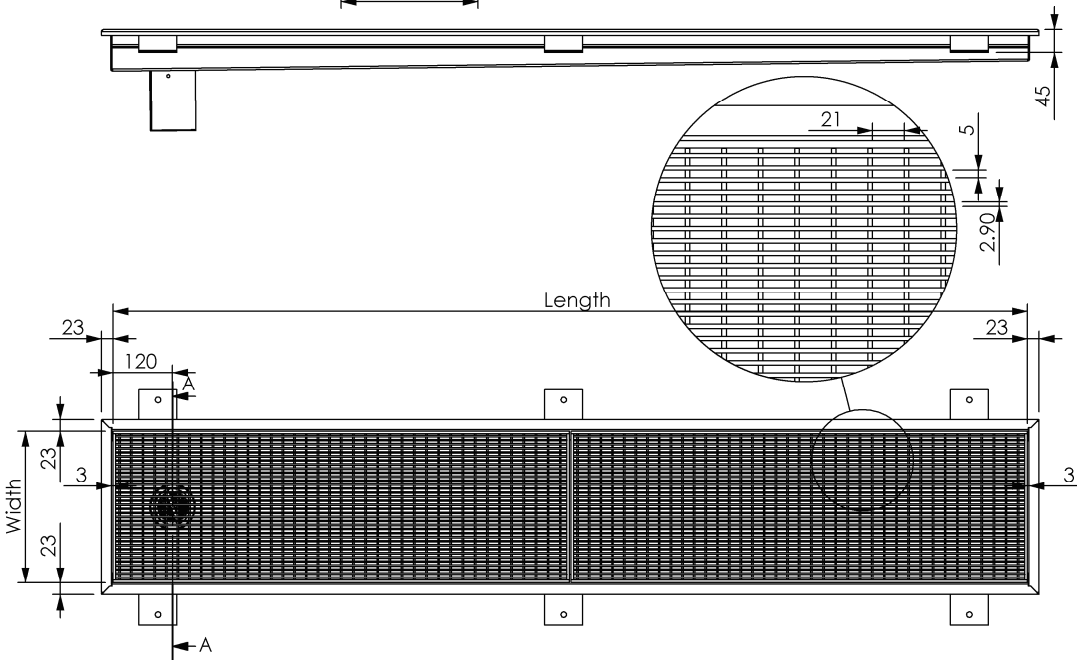
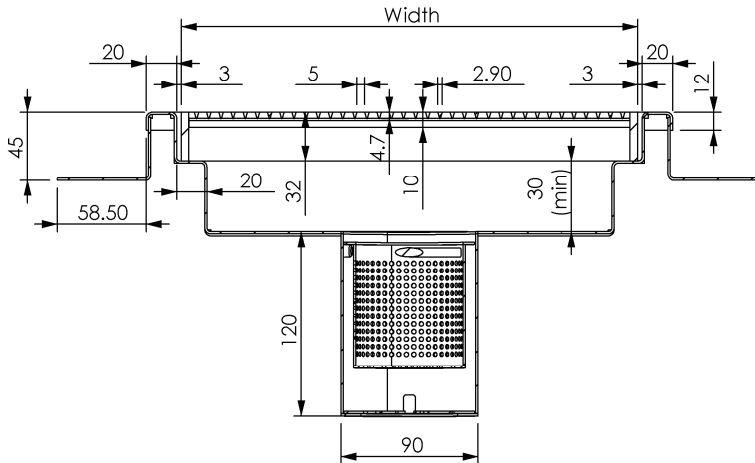
Code Breakdown

- SPFT = Standard Product Floor Trough
- S = Straight floor trough
- A = Boxed edge & Square corners
- N = Normal basket waste outlet 90mm diameter
- 1 = 1 end waste
- 3 = Type 3 grate (5mm wire spacing with 25mm x3mm support bars @ 25mm spacing)
- W = Grate width (mm) std 150, 200, 250, 300
- L = Total grated length (mm) Std 600, 900, 1200, 1500, 1800, 2100, 2400, 2700, 3000

Note: For overall size of trough, add 46mm to width and length of the grates.

To specify or order

e.g. SPFT.SAN1.3.200.1800



Total Grate Length	Grate Combination	Overall Trough Length	O/A Depth Shallow End	O/A Depth Outlet End	Weight kg
600	1 x 600 mm	646 mm	62 mm	68 mm	
900	1 x 900 mm	946 mm	62 mm	71 mm	
1200	1 x 1200 mm	1246 mm	62 mm	74 mm	
1500	1 x 600 mm + 1 x 900 mm	1546 mm	62 mm	77 mm	
1800	2 x 900 mm	1846 mm	62 mm	80 mm	
2100	1 x 900 mm + 1 x 1200 mm	2146 mm	62 mm	83 mm	
2400	2 x 1200 mm	2446 mm	62 mm	86 mm	
2700	3 x 900 mm	2746 mm	62 mm	89 mm	
3000	2 x 900 mm + 1 x 1200 mm	3000 mm	62 mm	102 mm	

Due to continuous product research and development, the information contained herein is subject to change without notification.