



## Floor Grate – Type 3

4mm x 6mm wedge wire @ 5mm spacing  
on 25mm x 3mm support bars @ 25mm spacing

The stainless steel floor grates utilise stainless steel wedge wire shaped grates.

Wedge wire grates provide attractive appearance, high load-bearing strength and large clear openings avoid plugging and blockages.

Type 3 offers 5mm spacing between wires and 25mm deep support bars for strength and safety in areas exposed to both commercial vehicles and pedestrians in high heeled shoes.

These floor grates are perfect for commercial kitchens, Commercial Spaces, Shopping Centres, Malls, and Parks & Gardens. They are available in a range of standard lengths and widths or can be custom manufactured to individual customer requirements.

### Models:

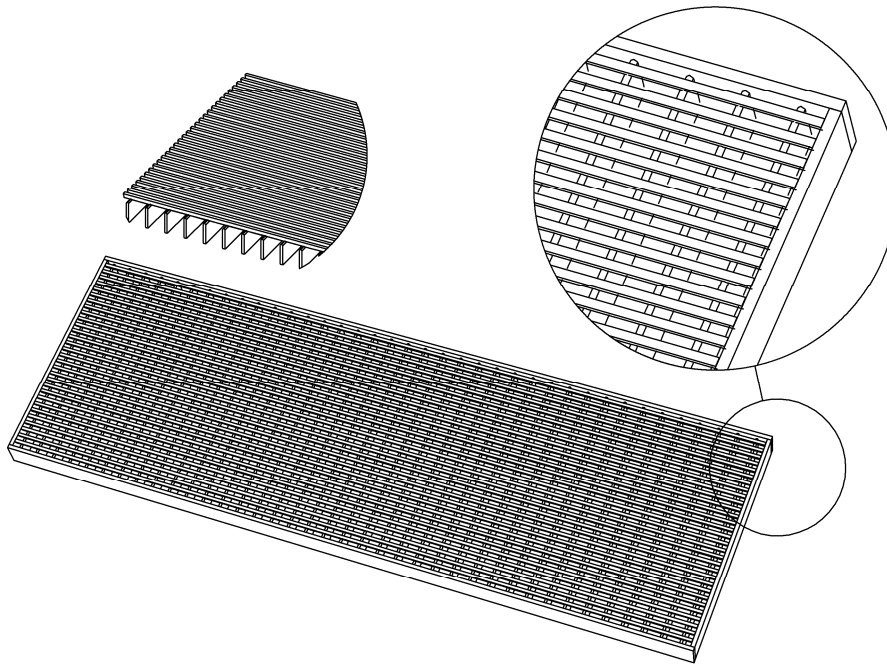
#### SPFT.FG.T3.W.L

##### Code Breakdown

SPFT	= Standard Product Floor Trough
FG	= Floor Grate
T3	= 4mm wedge wire 5mm spacing 25mm x 3mm support bars
W	= Width of Grates mm std 150, 200, 250, 300
L	= Length of grate mm Std 500,600,900

To specify or order

e.g. SPFT.FG.T3.300.900



### Features and Benefits:

- Stainless Steel 304 resistance welded construction.
- 32 x 5 stainless steel 304 welded and polished perimeter frame.
- Proven wedge wire grate construction.
- 21mm x 5mm aperture high strength, safe grating for pedestrian traffic and medium & heavy duty traffic.

Due to continuous product research and development, the information contained herein is subject to change without notification.



## Floor Grate – Type 3

4mm x 6mm wedge wire @ 5mm spacing  
on 25mm x 3mm support bars @ 25mm spacing

### Models:

#### SPFT.FG.T3.W.L

#### Code Breakdown

SPFT = Standard Product Floor Trough

FG = Floor Grate

T3 = 4mm wedge wire

5mm spacing

25mm x 3mm support bars

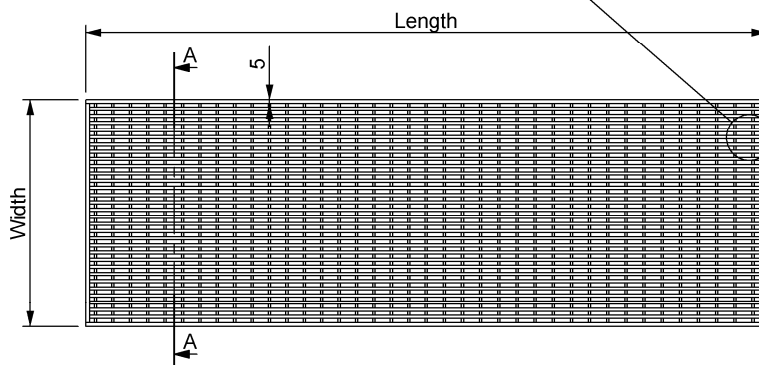
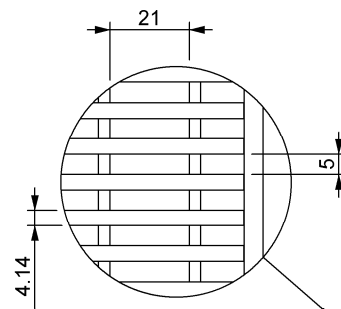
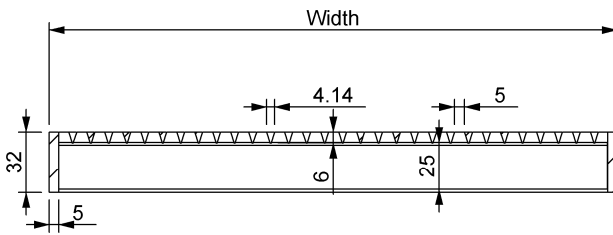
W = Width of Grates mm std 150,200,250, 300

L = Length of grate mm

Std 500,600,900

To specify or order

e.g. SPFT.FG.T3.300.900



Due to continuous product research and development, the information contained herein is subject to change without notification.