



Security Wash Basin Round

Wall Mounted

The Round Security Wash Basin from Stoddart Manufacturing for designed for high security prisons, detention centre and all public amenities where vandalism can be a costly problem.

Fully welded stainless steel construction gives superior strength and hygiene. Radius front edge minimises risk of user injury.

Models:

SPPL.WB.SR2.WM.NB.VAR

Code explanation:

SPPL = Standard Product Plumbing

WB = Wash Basin

SR2 = Security Round (type 2)

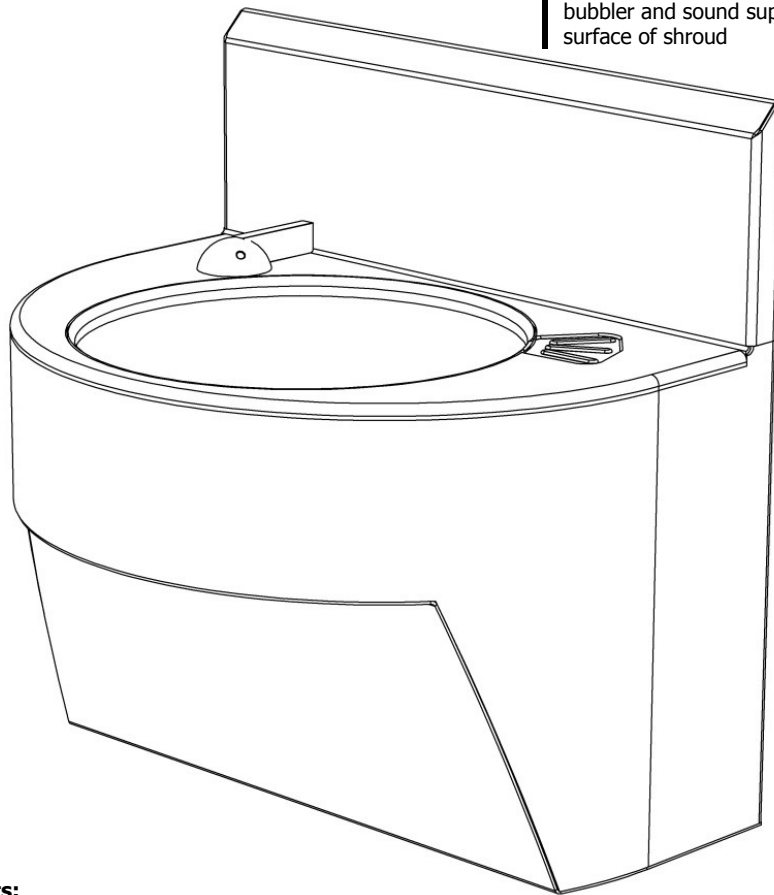
WM = Wall Mounted

NB = No Button option, for use with wall mounted buttons or sensors.

e.g.: for specification and ordering

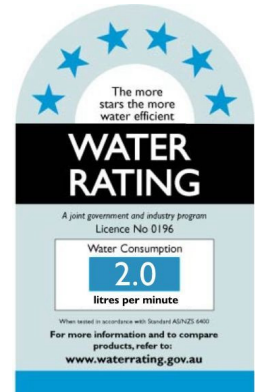
SPPL.WB.SR2.WM.NB.VAR

where VAR is for addition of wedge bar behind bubbler and sound suppression material to inner surface of shroud



Features and Benefits:

- Water Supply has Watermarked components for Australian Standards.
- Low Profile Dome shaped water spout has WELS rating for water efficiency.
- Wedge bar is welded between dome spout and splashback for additional safety (on .VAR only).
- Tamper proof waste provides security and prevents concealment of contraband.
- Semicircular shroud with radius edge to basin top & no sharp corners to provide safety.
- Vandal resistant, fully welded construction.
- 304 grade stainless steel, no 4 brushed finish provides good looks and long service life.



Due to continuous product research and development, the information contained herein is subject to change without notification.



Security Wash Basin Round

Wall Mounted

Specifications:

Construction: Fully welded seamless 2.0mm 304 grade stainless steel construction, no 4 satin finish.

Water Supply: 15mm (1/2" BSP)

Waste Connection: 40mm stainless steel, supplied with NB plugs.

Unit Fixing: The unit is supplied with wall mounting brackets with 10mm fixing holes.

Recommended fixing height from top of unit to finished floor level is 780mm to 800mm.

Models:

SPPL.WB.SR2.WM.NB.VAR

Code explanation:

SPPL = Standard Product Plumbing

WB = Wash Basin

SR2 = Security Round (type 2)

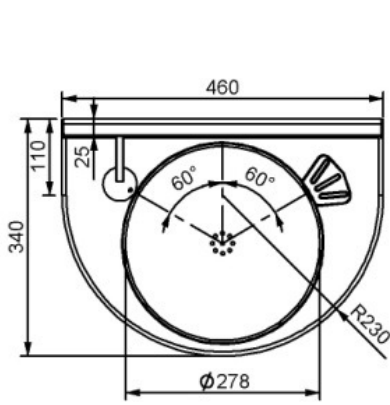
WM = Wall Mounted

NB = No Button option, for use with wall mounted buttons or sensors.

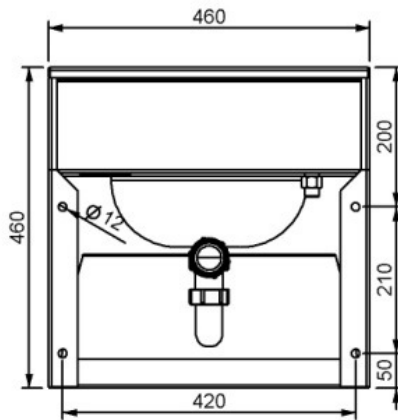
e.g.: for specification and ordering

SPPL.WB.SR2.WM.NB.VAR

where VAR is for addition of wedge bar behind bubbler and sound suppression material to inner surface of shroud



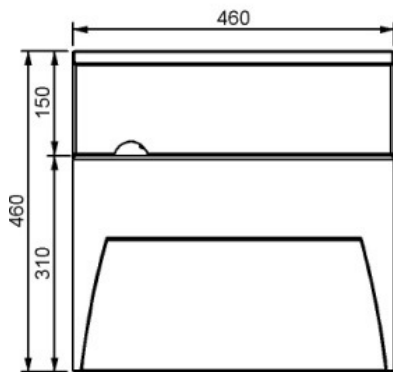
PLAN VIEW



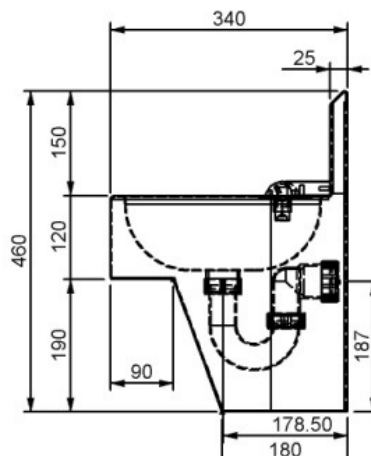
REAR VIEW



ISOMETRIC VIEW



FRONT VIEW



END VIEW

ALL EXTERNAL STAINLESS STEEL PANELS ARE 2.0mm THICK.

Model No.	Length (mm)	Width (mm)	Height (mm)
SPPL.WB.SR2.WM.NB.VAR	460	340	460

Due to continuous product research and development, the information contained herein is subject to change without notification.