

Contraband Control Toilet Inspection Unit Type 2

The Toilet inspection unit is designed for Australian Customs & Border Protection for Inspecting Excrement for presence of Contraband. This unit is designed to minimise the interaction required by the operators and Customs Officers. It is also suitable for other security installations.

The Contraband Control Toilet Inspection Unit is designed and built in Australia from 304 grade stainless steel by Stoddart Manufacturing.

The unit has a shower rose that washes away most excrement to reveal contraband condoms. The Gloves and spray rinse unit allow the operator to wash the item thoroughly. A large sealed glass viewing panel and sealed access doors on each end allow the operator access and visibility without risk of getting dirty.

Models:	SPPL.CT.2
Code;	
SPPL	Standard Product Plumbing
CT.2	Customs Toilet Type 2



Features and Benefits:

- Customs toilet inspection unit is constructed of 304 Stainless Steel.
- The unit has a large perforated stainless steel basket to capture effluent and trap contents.
- Customs toilet inspection unit has access doors on both ends (for access from either end)
- Customs Officers can easily inspect contents through large sealed glass window.
- Sealed Glass Window is angled so any overspray runs off & stays clear for viewing.
- Fixed shower rose allows majority of washing to occur without operator interaction.
- Large access gloves are sealed to unit for easy use and periodic replacement.
- High quality spray rinse unit allows thorough cleaning of found contraband capsules.
- Access gloves are positioned ergonomically for operator to kneel in front of unit and access spray rinse unit.

Due to continuous product research and development, the information contained herein is subject to change without notification.



Contraband Control Toilet Inspection Unit Type 2

Specifications:

Construction: 304 stainless steel, No 4 satin finish welded construction with quality rubber seals and laminated glass inspection window.

Water supply 20mm water connection is required with an anti-siphon, non-return valve if water is supplied from mains.
Supply should have a tap that is easily accessible for the operator.

Inlet Connection -Pan & Basin Outlet Use Rubber coupling to suit connection to 100mm sewer pipe and 40mm basin pipe. (eg: furnco)

Connection to Sewer: Use Rubber coupling to suit connection to 100mm sewer pipe. (eg: furnco)

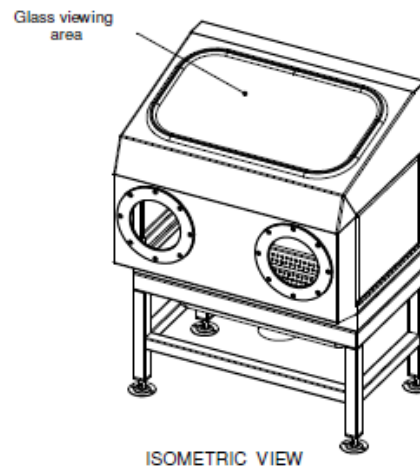
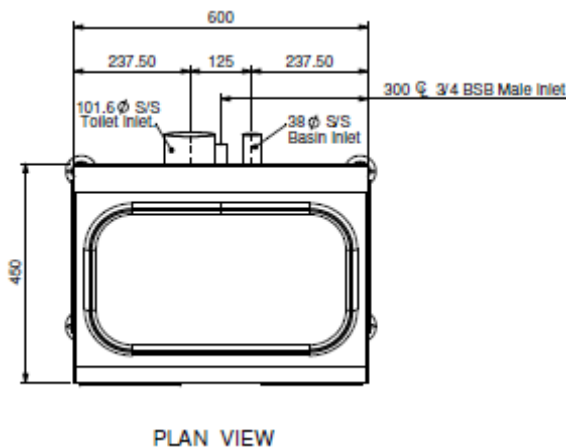
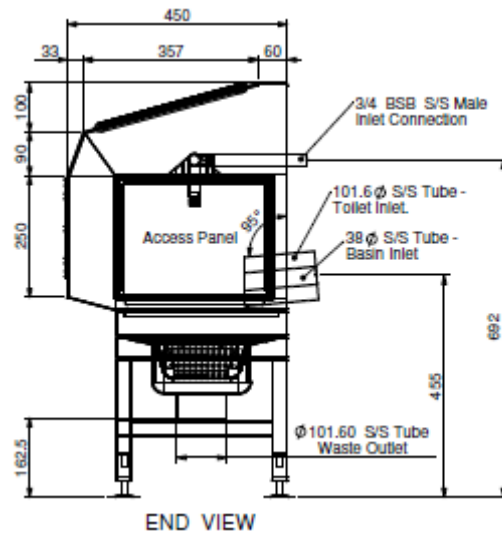
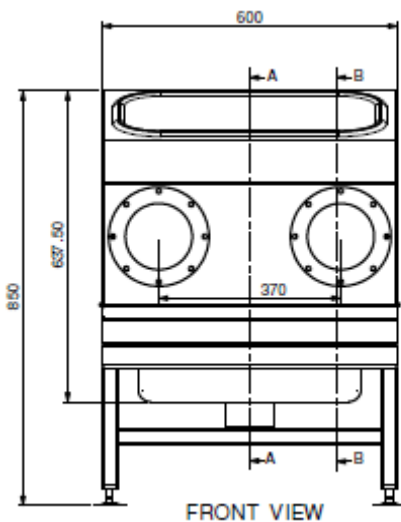
Waste must drain to a trap for water seal.
Plumber must refer to plumbing code and local legislation regarding proximity of unit to trap.

Unit Fixing: The Customs Toilet stands on 4 adjustable feet. These can be screw fixed to floor if required.

Models: SPPL.CT.2

Code; SPPL Standard Product Plumbing

CT.2 Customs Toilet Type 2



Due to continuous product research and development, the information contained herein is subject to change without notification.