



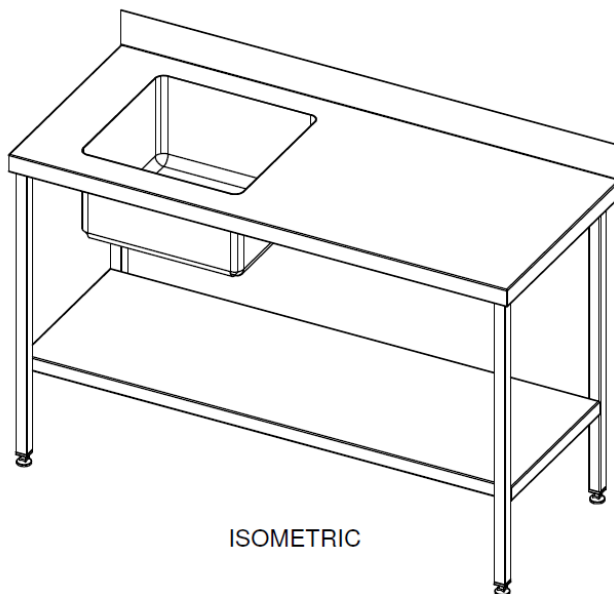
Straight Dry Bench with Sink

Left Sink with Drainer

The Bench with sink and drainer area is designed for Police Stations. The stainless steel bench has a flat deck area for finger printing with a large shelf under for storage of equipment.

The Bench is designed with a tiled edge for sealing to a tiled wall. The legs can be assembled on site minimising freight costs for remote locations.

Models:	SPPL-BE-DST10-60-140-1AL-FS
SPPL	Standard Product Plumbing
BE	Bench
DS	Dry edge, Straight wall
T10	Tiled edge back 100mm high
60-140	600mm wide & 1400mm long
1CL	1 x type C bowl in Left position
FM	Floor mounted legs



Features and Benefits:

Bench top has painted 18mm ply backing for strength and noise suppression.

Legs have adjustable feet and full length wall fixing angle to ensure bench is level and secure.

Length of bench can be selected to suit site.

Large 80mm flat area behind bowl is provided for installing hob mount taps.

For Kitchen applications the standard bowl is **Type A = 450 x 450 x 300 with 90mm basket waste.**

For Non-kitchen applications the Standard Bowl is **Type C = 450 x 450 x 300 with DN50 waste & plug.**

Other bowl variations are available by request (common examples include);

Type B = 450 x 450 x 300 with 115 mm hole for Bucket trap.

Type D = 450 x 450 x 200 with 50mm waste for plug. (Plug & Waste included)

Type E = 500 x 350 x 180 with 50mm waste for plug. (Plug & Waste included)

Type F = 750 x 450 x 200 with 50mm waste for plug. (Plug & Waste included)

Variation Bowl sizes can be custom made to your dimensions.

Due to continuous product research and development, the information contained herein is subject to change without notification.



Straight Dry Bench with Sink

Left Sink with Drainer

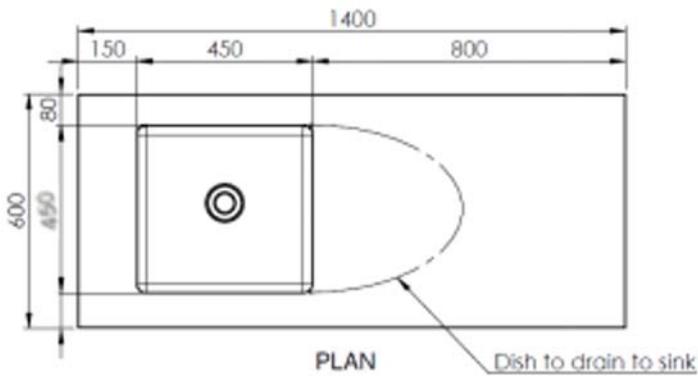
Specifications: 304 grade stainless steel 1.2mm thick.
Backing: painted 18mm ply.
Bowl has large 25mm radius corners
Legs are 32 x 32 mm SHS with adjustable feet.

Waste: Waste Connection is to DN 50 waste.

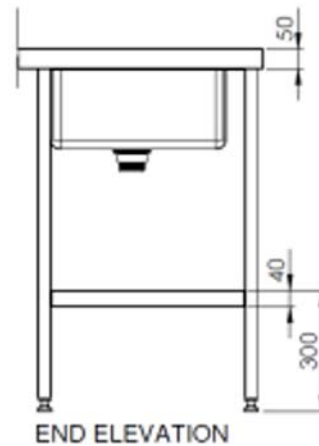
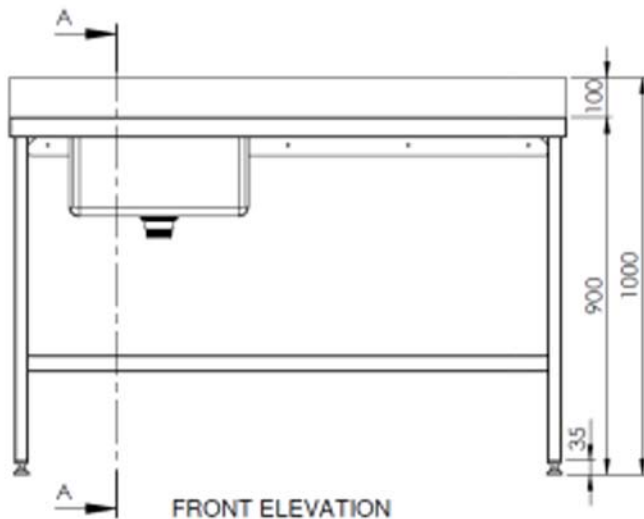
Leg Length Standard Bench Height is 900mm

Models: **SPPL-BE-DST10-60-140-1CL-FS**

SPPL Standard Product Plumbing
BE Bench
DS Dry edge, Straight wall
T10 Tiled edge back 100mm high
60-140 600mm wide & 1400mm long
1CL 1 x type C bowl in Left position
FM Floor mounted legs



FLAT PACK
Some assembly
required on site



SPPL-BE-DST10-60-140-1CL-1400-FM

Due to continuous product research and development, the information contained herein is subject to change without notification.