

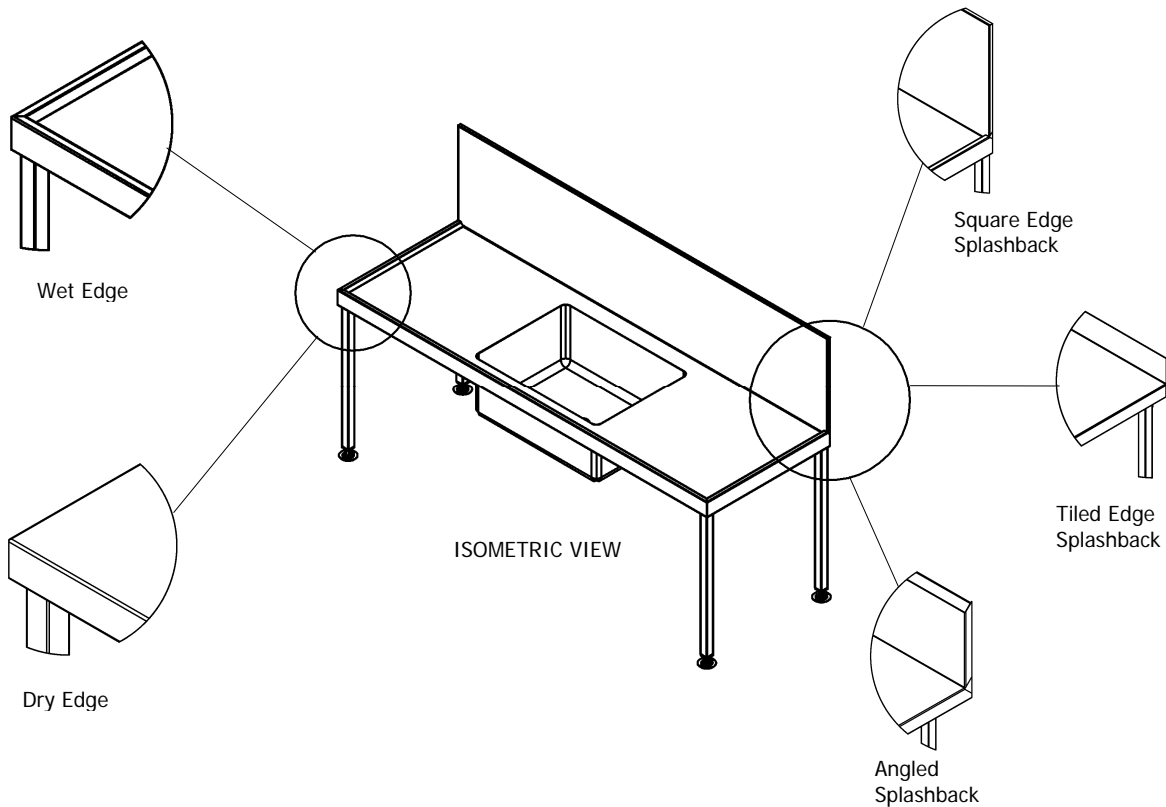


Benches

Stoddart's Plumbing Products makes benches tailored to suit your needs. Our benches are available in 304 or 316 grade stainless steel and can be made to any size and style. Benches made by Stoddart are used in Kindergartens, Schools, Laboratories and many other Commercial Spaces. The Benches can be fitted with one or more sinks. The bench edge can have a wet or dry edge and the back can have a tiled edge or splashback. Stoddart benches can be fitted with 115mm, 90mm or 50mm wastes. Tap holes can be added as specified. Benches can be supplied with legs with height adjustable feet. Optional under-shelves and cabinets are also available.

Models: SPPL- BE-XXX-YYY-ZZZ-AA-BB

SPPL	= Standard Product Plumbing
BE	= Bench
XXX	= WSA – Wet Straight, Angled Splashback height = DSA – Dry Straight Angled Splashback height = DSS – Dry Straight Square Splashback height
YYY	= Width (50 – 90 cm)
ZZZ	= Length (60 – 300 cm)
AA	= Bowl Type
BB	= FM – Floor Mounted / Freestanding = WM – Wall Mounted = VAR – Add Under Shelves or Change Material to 316 S/S



Features and Benefits:

- Bench top has painted 18mm ply backing for strength and noise suppression.
- Legs have adjustable feet and full length wall fixing angle to ensure bench is level and secure
- Length of bench can be selected to suit site requirements.
- Large 80mm flat area behind bowl is provided for installing hob mount taps.
- For Kitchen applications the standard bowl is **Type A = 450 x 450 x 300 with 90mm basket waste.**
- For Non-kitchen applications the Standard Bowl is **Type C = 450 x 450 x 300 with DN50 waste & plug.**
- Other bowl variations are available by request (common examples include);
 - Type B = 450 x 450 x 300 with 115 mm hole for Bucket trap.
 - Type D = 450 x 450 x 200 with 50mm waste for plug. (Plug & Waste included)
 - Type E = 500 x 350 x 180 with 50mm waste for plug. (Plug & Waste included)
 - Type F = 750 x 450 x 200 with 50mm waste for plug. (Plug & Waste included)
- Variation Bowls sizes can be custom made to your dimensions.

Due to continuous product research and development, the information contained herein is subject to change without notification.



Benches

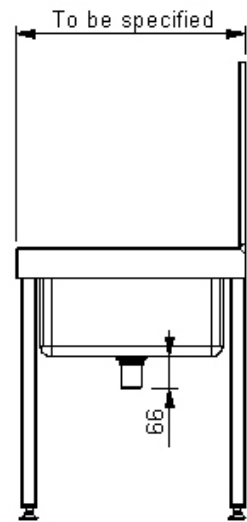
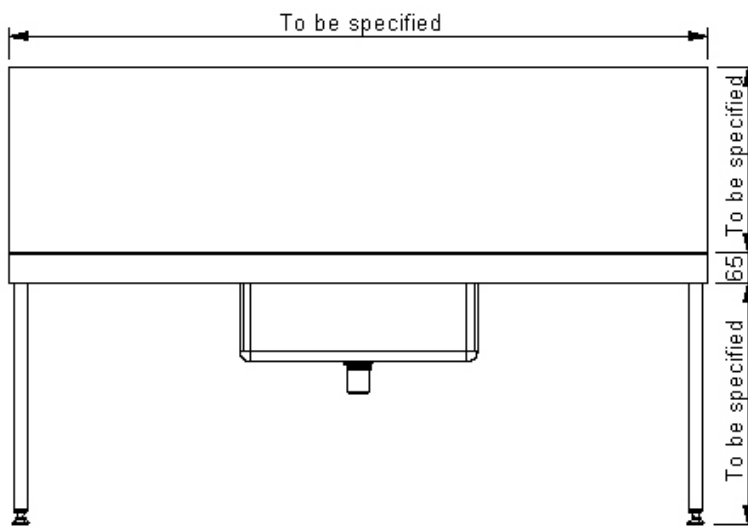
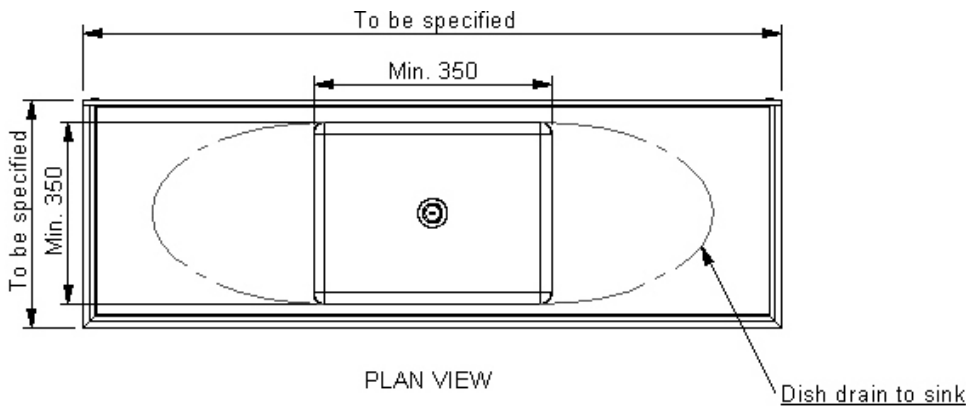
Specifications: 304 or 316 grade stainless steel 1.2mm thick.
Backing: painted 18mm ply.
Bowl has large 25mm radius corners
Legs are 32 x 32 mm SHS with adjustable feet

Waste: Can be supplied with 115mm, 90mm or 50mm waste.

Unit Fixing: Can be mounted upon a frame making bench height customisable to suit your needs. Frame mounted benches come with fully adjustable feet. Can also be mounted onto Stoddart cabinet units.

Models: SPPL- BE-XXX-YYY-ZZZ-AA-BB

SPPL = Standard Product Plumbing
BE = Bench
XXX = WSA – Wet Straight, Angled Splashback height
= DSA – Dry Straight Angled Splashback height
= DSS – Dry Straight Square Splashback height
YYY = Width (50 – 90)
ZZZ = Length (60 – 300)
AA = Bowl Type
BB = FM – Floor Mounted / Freestanding
= WM – Wall Mounted
= VAR – Add Under Shelves or Change Material to 316 S/S
eg.: for specification and ordering
SPPL-BE-WSS40-49-150-1C-FM-VAR



FRONT VIEW

END VIEW

Due to continuous product research and development, the information contained herein is subject to change without notification.