



Scrub Up Trough

Wall Mounted

Stoddart Scrub Up Troughs are designed to minimise any splashing for extreme hygienic areas.

Ideal for use in hospitals, surgeries, medical centres, veterinary clinics and chemical laboratories.

The standard unit is manufactured using 304 grade stainless steel, 316 grade stainless steel is available as a variation for use with highly corrosive materials.

Radius corners and fully integrated upstands to rear and side eliminate joins to maximise hygiene.

Models:

SPPL.WT.SUT.W.xx.yyyy

Code explanation:

SPPL = Standard Product Plumbing

WT = Wash Trough

SUT = Scrub Up Trough

W = Wall Mounted

xx = SE – Splashback Ends

= FE – Facia Ends

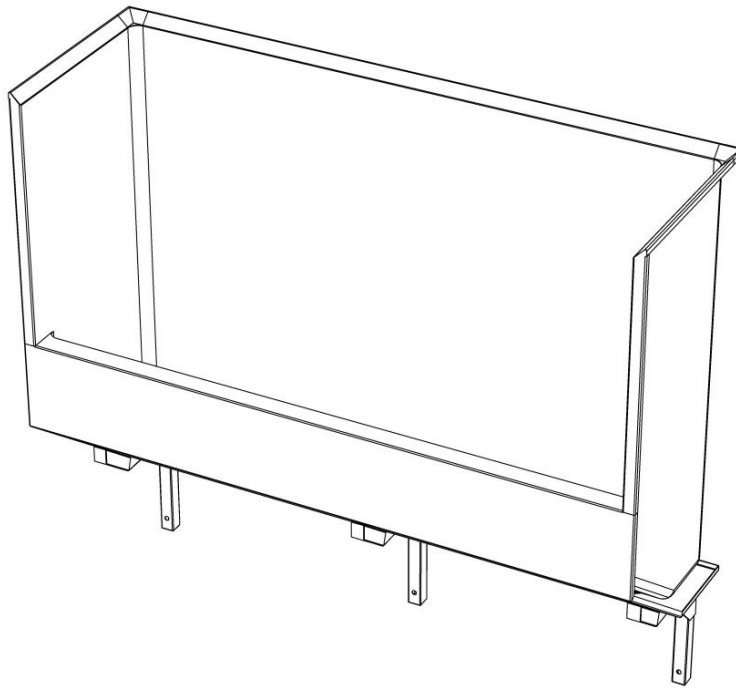
= LC – Left Corner Splashback

= RC – Right Corner Splashback

YYYY = Length of trough

e.g.: for specification and ordering

SPPL.WT.SUT.W.SE.1800



Features and Benefits:

- Radius corners for easy cleaning, hygiene and safety.
- 50mm waste outlet can be positioned at the centre.

Due to continuous product research and development, the information contained herein is subject to change without notification.



Scrub Up Trough

Wall Mounted

Specifications:

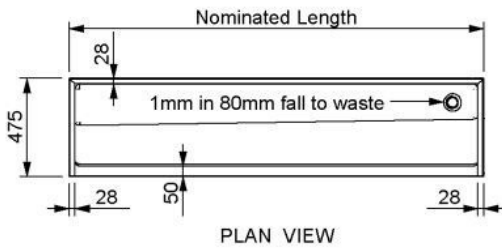
- Construction: Fully welded seamless 304 grade stainless steel construction, no 4 brushed finish.
- Waste Connection: 50mm stainless steel, supplied.
- Tap ware and accessories: Sensor medical spout provision.
Soap dispenser provision.
Scrub brush dispenser provision.
Hand dryer provision.

Models:

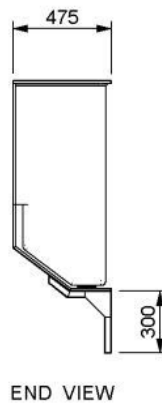
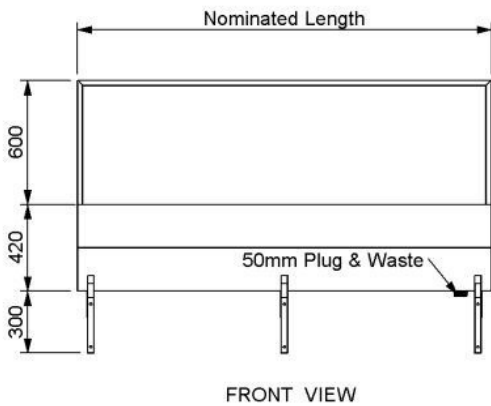
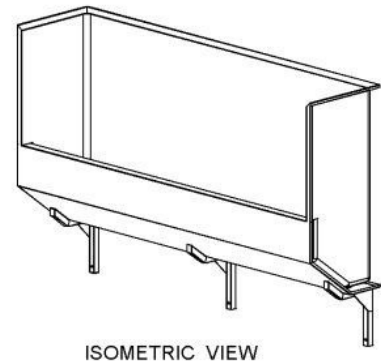
SPPL.WT.SUT.W.xx.yyyy

Code explanation:

- SPPL = Standard Product Plumbing
- WT = Wash Trough
- SUT = Scrub Up Trough
- W = Wall Mounted
- xx = SE – Splashback Ends
= FE – Facia Ends
= LC – Left Corner Splashback
= RC – Right Corner Splashback
- YYYY = Length of trough
e.g.: for specification and ordering
SPPL.WT.SUT.W.SE.1800



R/H WASTE SHOWN
L/H WASTE WASTE AVAILABLE



Product Details

Waste : 50mm

Model No.	Length (mm)	Width (mm)	Height (mm)
SPPL.WT.SUT.W.xx.yyyy	yyyy	475	1020 (1320 with bracket)

Due to continuous product research and development, the information contained herein is subject to change without notification.