

Wash Trough S7

Wash Troughs made in Australia by Stoddart Manufacturing are the most robust, hygienic and safe solution for Schools and Sporting clubs.

Stoddart's "S7" profile trough is for splashback mounted taps or drink bubblers. Stoddart's S7 troughs ensure proper drainage & are made with large radius corners and 1:100 fall to a 50mm waste. Left or Right end waste position and trough length is nominated by the customer.

S7 Troughs can be ordered standard with wall mounting brackets or with an optional freestanding frame.

The Stoddart S7 Wash Trough comes with standard tap holes for easy installation of bib taps or with no tap holes so the Plumber can source any taps & fit them on site.

Alternatively, the Stoddart S7 Wash Trough can be ordered fully pre-plumbed with high quality, chrome plated push action timed flow bib taps. The pre-plumbed S7 Troughs use watermark licensed plumbing fittings and have a SS manifold for single point water connection to ensure quick and simple installation.

Stoddart can tailor make variations including such options as 316 grade, centre waste or multiple wastes units for almost any custom application.

Models:

SPPL.WT.S7.x.III.yyy

Code explanation:

SPPL = Standard Product Plumbing

WT = Drinking Trough

S7 = S7 Style

x = L – Left hand end waste
= R – Right hand end waste

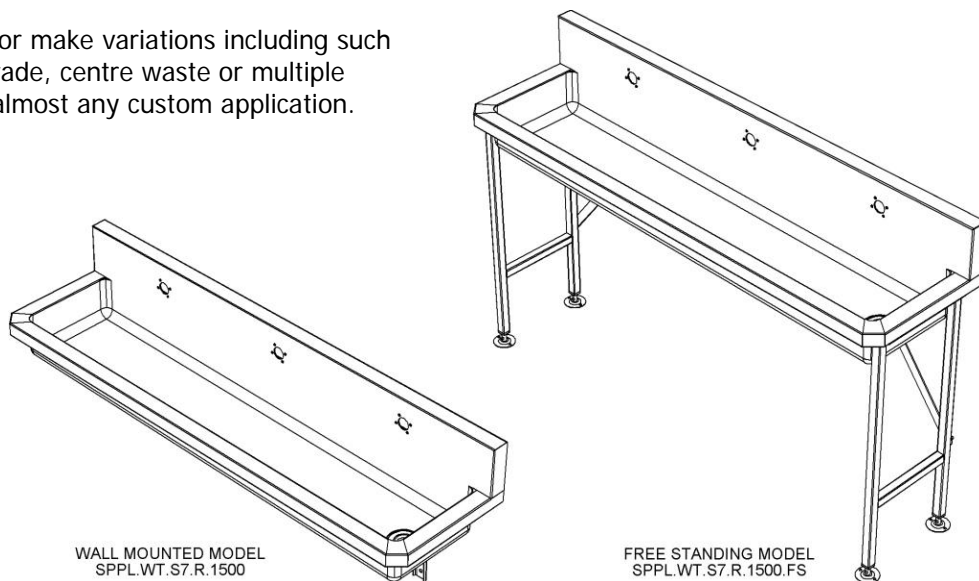
III = Length of trough

yyy = FS – Free Standing Frame (optional)
= VAR - Variation

Troughs are available pre-plumbed with taps as a variation.

e.g.: for specification and ordering

SPPL.WT.S7.R.1800.FS.VAR



Features and Benefits:

- Designed for schools
- Radius corners for easy cleaning, hygiene and safety.
- Taps can be pre-plumbed as an option to save plumbing time on-site.
- 1.2mm stainless steel for superior strength, service life and hygiene.
- Special Tap mounting washers make tap installation and tap servicing easier.
- 35mm tap holes are positioned at 450mm centres.
- FS Troughs up to 2000mm in length come with 4 legs, troughs 2400mm and longer have 6 legs.



Due to continuous product research and development, the information contained herein is subject to change without notification.



Wash Trough S7

Specifications:

Construction: Fully welded seamless 304 grade 1.2 mm thick stainless steel construction, no 4 brushed finish.
 Splashback for pre-plumbed models has an extra 2mm SS panel with m4 tapped holes for tap mounting washer screws & a SS Manifold for easy single point water connection.

Water Supply: 1/2" BSP water connection required.

Waste Connection: 50mm, PVC waste supplied, trap is not included.

Tap Locations: Tap holes are punched in the splashback at 450mm centres.

Unit Fixing: The Trough is Standard with stainless steel wall mounting brackets with 11mm fixing holes and stainless steel Z clips for splashback. The trough is fixed to the bracket with 6mm stainless steel fixings.

Optional Free standing frame has braced legs & adjustable feet that can be screwed to ground.
 Legs assemblies are supplied loose for freight efficiency.

Models:

SPPL.WT.S7.x.III.yyy

Code explanation:

SPPL = Standard Product Plumbing

WT = Drinking Trough

S7 = S7 Style

x = L – Left hand end waste

= R – Right hand end waste

III = Length of trough

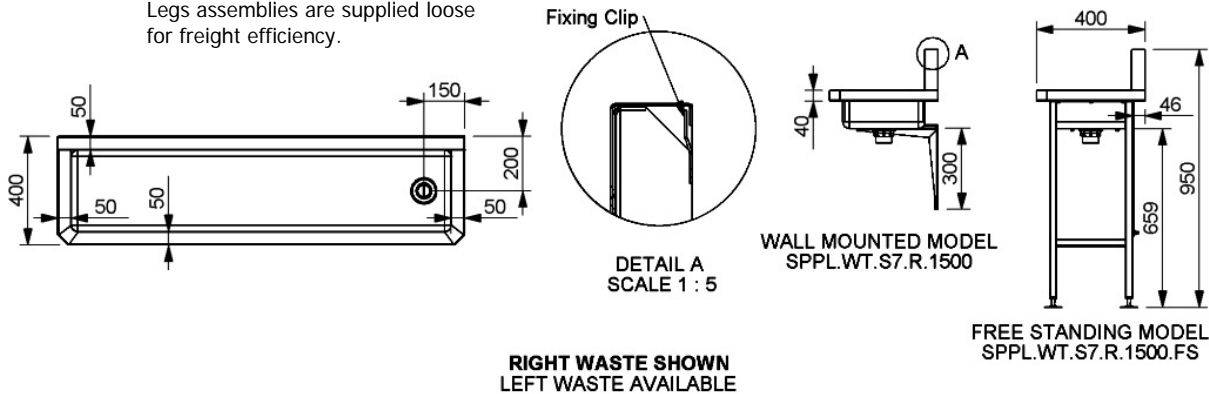
yyy = FS – Free Standing Frame (optional)

= VAR - Variation

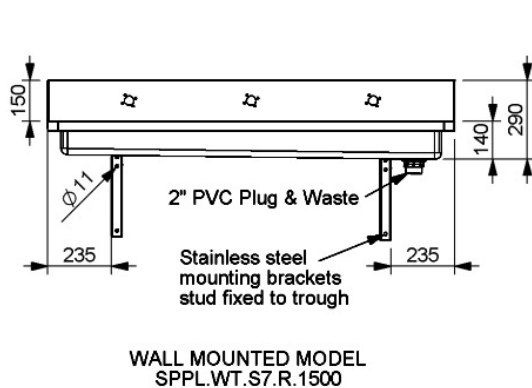
Troughs are available pre-plumbed with taps as a variation.

e.g.: for specification and ordering

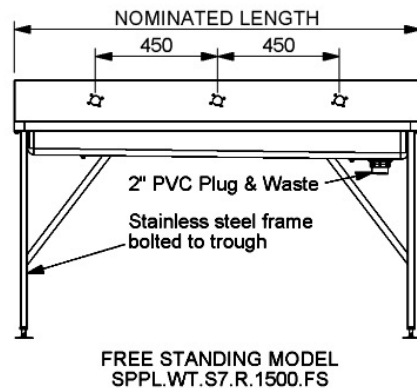
SPPL.WT.S7.R.1800.FS.VAR



RIGHT WASTE SHOWN
LEFT WASTE AVAILABLE



WALL MOUNTED MODEL
SPPL.WT.S7.R.1500



FREE STANDING MODEL
SPPL.WT.S7.R.1500.FS

Model No.	Length (mm)	No. of Tap Holes	No. of Legs (FS Option only)	No. of brackets
SPPL.WT.S7.xx.y.z.0900	900	2	4	2
SPPL.WT.S7.xx.y.z.1200	1200	2	4	2
SPPL.WT.S7.xx.y.z.1500	1500	3	4	2
SPPL.WT.S7.xx.y.z.1800	1800	4	4	2
SPPL.WT.S7.xx.y.z.2000	2000	4	4	2
SPPL.WT.S7.xx.y.z.2400	2400	5	6	3
SPPL.WT.S7.xx.y.z.2700	2700	6	6	3
SPPL.WT.S7.xx.y.z.3000	3000	6	6	3
SPPL.WT.S7.xx.y.z.3300	3300	7	6	4
SPPL.WT.S7.xx.y.z.3600	3600	8	6	4
SPPL.WT.S7.xx.y.z.3900	3900	9	6	4

Due to continuous product research and development, the information contained herein is subject to change without notification.