



Wash Trough

Knee Operated

The Knee Operated Wash Trough from Stoddart Manufacturing was designed and introduced with the knee operated front panel in to provide easy access to hygienic hand washing. A simple nudge with either your left or right knee or thigh activates the timed water flow.

Z mounting clips secure the trough to the wall quickly and easily so the two high strength angle bracket supports can be fixed to the wall. These brackets provide strength and can be quickly secured to the wall.

Models:

SPPL.WT.KO.x.yyyy.zzz

Code explanation:

SPPL = Standard Product Plumbing

WT = Wash Trough

KO = Knee Operated

x = C – Centre waste

= L – Left waste

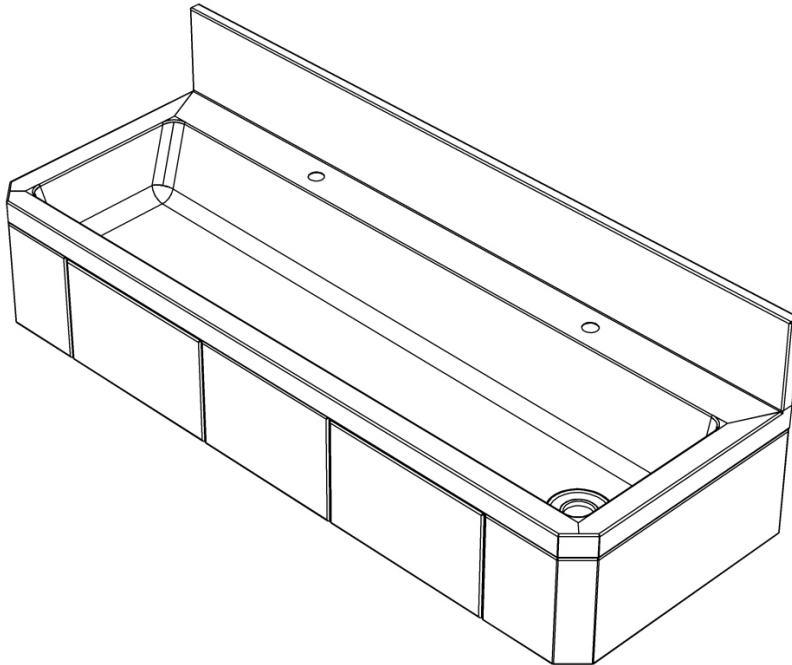
= R – Right waste

yyyy = Length of trough

zzz = Width of trough (435mm Std)

e.g.: for specification and ordering

SPPL.WT.KO.R.1200.435



Features and Benefits:

- Easy Push front panel.
- Timed flow valve with automatic shut off.
- Radius corners for easy cleaning, hygiene and safety.
- 50mm waste outlet can be positioned at either left or right hand end or centre.
- Each Easy Push panel is backed with 18mm ply and double skinned to provide a robust and durable application.
- Easy mount bracket has adjustable fixing positions.

Due to continuous product research and development, the information contained herein is subject to change without notification.



Wash Trough

Knee Operated

Specifications:

- Construction: Fully welded seamless 304 grade stainless steel construction, no 4 satin finish.
150mm x 20mm splashback for cleanliness, safety and secure mounting to wall.
- Water Supply: 15mm (1/2") BSP
- Waste Connection: 50mm PVC, supplied.
- Activation Valve: Extended timed flow valve is fitted to each knee operated push panel.
- Unit Fixing: The unit is supplied with stainless steel wall mounting brackets, which have 11mm diameter fixing holes, and stainless steel splashback Z clips.

Models:

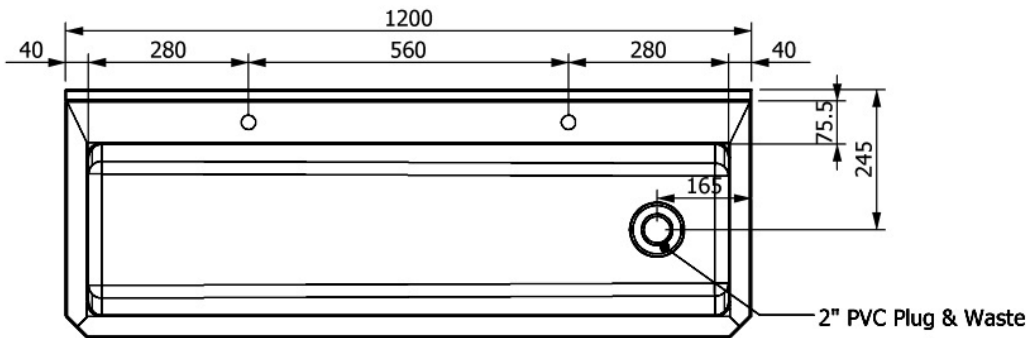
SPPL.WT.KO.x.yyyy.zzz

Code explanation:

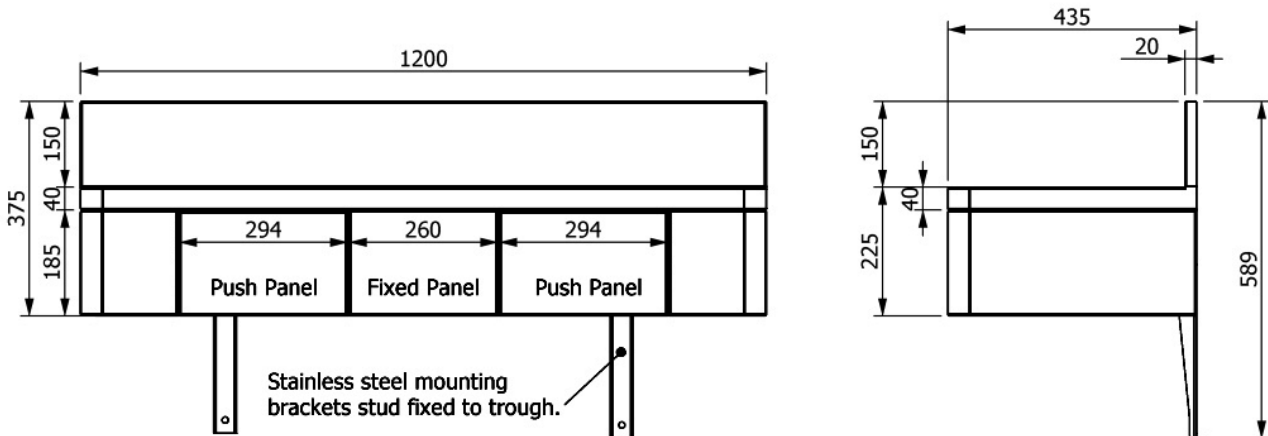
- SPPL = Standard Product Plumbing
- WT = Wash Trough
- KO = Knee Operated
- x = C – Centre waste
= L – Left waste
= R – Right waste

YYYY = Length of trough
e.g.: for specification and ordering

SPPL.WT.KO.R.1200.435



RH WASTE SHOWN
LH WASTE & CENTRE WASTE AVAILABLE



Model No.	Length (mm)	Width (mm)	No. of Spouts
SPPL.WT.KO.x.1200.435	1200	435	2
SPPL.WT.KO.x.1800.435	1800	435	3
SPPL.WT.KO.x.2400.435	2400	435	4

Custom widths available at a premium.

Due to continuous product research and development, the information contained herein is subject to change without notification.