

## Wash Basin Security Round Type 2

The Round Security Wash Basin from Stoddart Manufacturing is designed for high security prisons, detention centres and all public amenities where vandalism can be a costly problem.

Fully welded stainless steel construction gives superior strength and hygiene. The radius front edge minimises risk of user injury.

Basins are available with a manual button mounted in the front or side or and electronic button mounted in the side or in the splash back.

### Models:

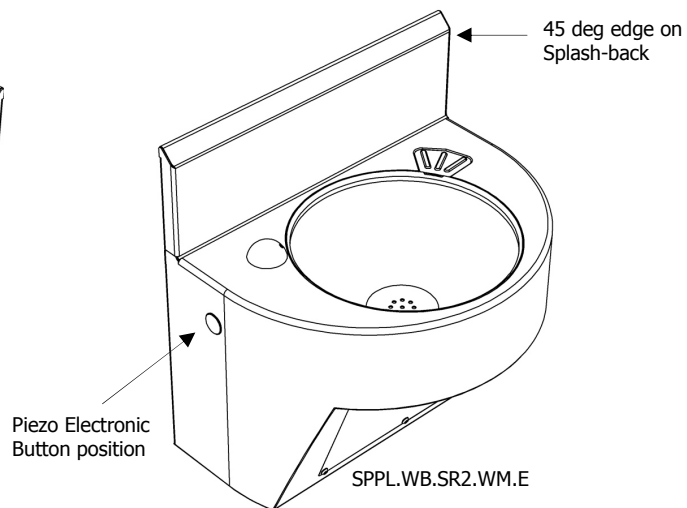
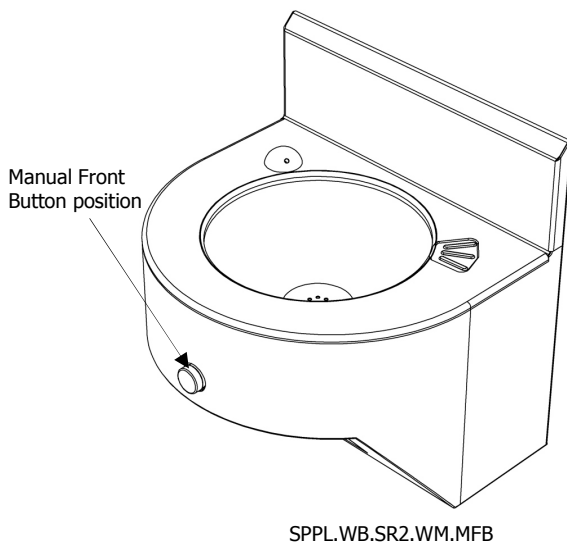
#### SPPL.WB.SR2.WM.x.y

Code explanation:

SPPL	= Standard Product Plumbing
WB	= Wash Basin
SR2	= Security Round Type 2
WM	= Wall Mounted
x	= E – Electronic button = MFB – Manual front button = MSB – Manual side button
y	= RA – Rear Access = T – Toilet Roll Holder (optional)

e.g.: for specification and ordering

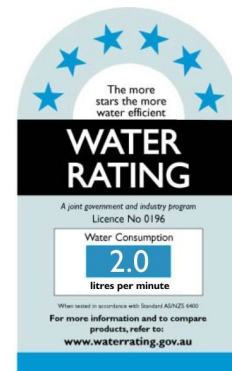
SPPL.WB.SR2.WM.E



### Features and Benefits:

- Concealed plumbing and fixings provide absolute vandal resistance.
- Secure drain prevents unauthorised access.
- 2.0mm stainless steel provides superior strength and hygiene.
- Front edge is rounded with a smooth radius for user safety.
- Water conserving security bubbler controls water flow for drinking and hand washing.
- Low profile dome bubbler provides anti-hang security and features anti-rotate.
- The manual button options have a secure button either positioned in the side of the unit or in the centre of the front apron.
- The electronic button option has the button positioned in the side of the unit for easy access. By request, the button can be positioned on the horizontal deck at 3o'clock position of bowl or located in the splashback together with other piezo buttons for WC flush or other functions as requested.
- The Electronic dispensing button can be interfaced with building water management control systems.
- Front access panel is standard. Rear access option is available for high security prisons. Access panels are fastened with security screw & can be fixed with SS rivets after installation for added security.
- If unit is to be positioned beside a Stoddart Disabled Pan, the basin can be ordered with an optional toilet roll holder to side of basin unit.
- The shape of this basin satisfies the free space requirements of AS 1428.1 for design for access and mobility. For enhanced disabled user access, taps are replaced by a single easy touch piezo button that requires just 3-5N of force to activate.

ASSDA  
ACCREDITED



Due to continuous product research and development, the information contained herein is subject to change without notification.

# Wash Basin Security Round Type 2

## Specifications:

- Construction:** Fully welded seamless or 2.0mm 304 grade stainless steel construction, no 4 satin finish.
- Water Supply:** 15mm (1/2" BSP)
- Waste Connection:** 40mm stainless steel.
- Unit Fixing:** The unit is supplied with a wall mounting bracket with 12mm and 6.5mm diameter fixing holes.  
Recommended fixing height from top of unit to finished floor level is 800mm for disabled access.  
Notches in mounting bracket assist with fixing height

## Models:

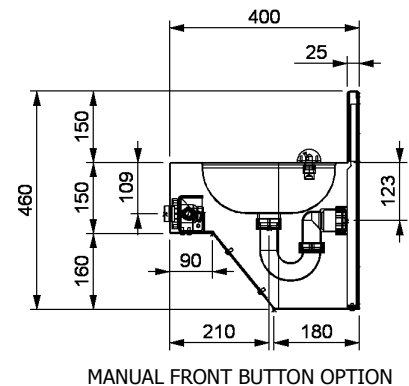
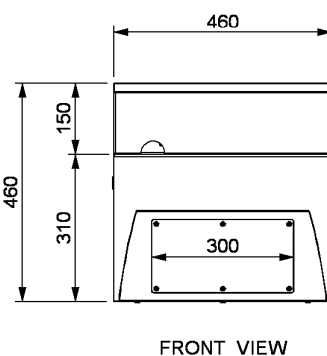
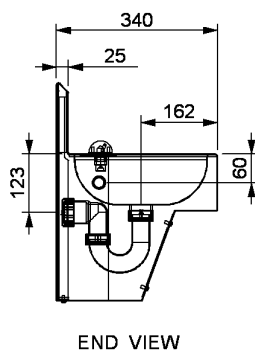
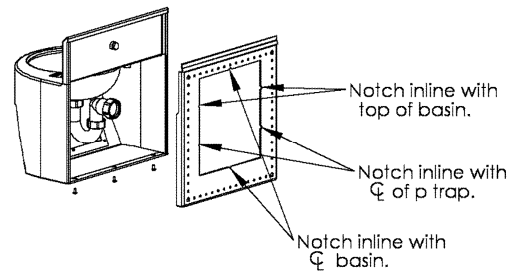
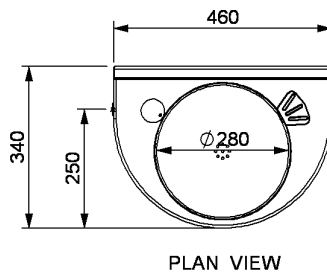
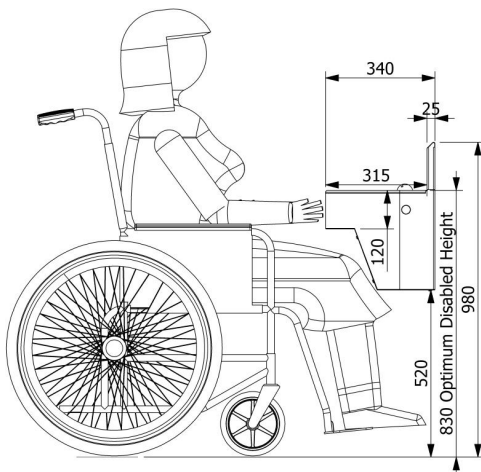
### SPPL.WB.SR2.WM.x.y

Code explanation:

- SPPL = Standard Product Plumbing  
 WB = Wash Basin  
 SR2 = Security Round Type 2  
 WM = Wall Mounted  
 x = E – Electronic button  
 = MFB – Manual front button  
 = MSB – Manual side button  
 y = RA – Rear Access  
 = T – Toilet Roll Holder (optional)

e.g.: for specification and ordering

SPPL.WB.SR2.WM.E



Model No.	Length (mm)	Width (mm)	Height (mm)
SPPL.WB.SR2.WM.x.y	460	340	460

Due to continuous product research and development, the information contained herein is subject to change without notification.