



Round Wash Basin Wand Operated

Wall Mounted

The Round Wand Operated Wash Basin from Stoddart Manufacturing promotes clean hands with hygienic hands free wand operation in kitchens and laboratories.

This basin is ideal for small kitchens found in service stations, roadhouses and convenience stores where staff handle food.

Models:

SPPL.WB.R.WM.WO

Code explanation:

SPPL = Standard Product Plumbing

WB = Wash Basin

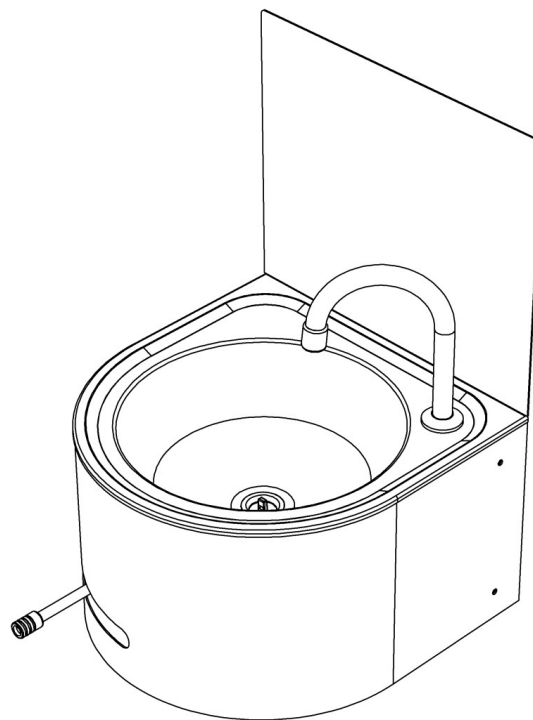
R = Round

WM = Wall mounted

WO = Wand operated

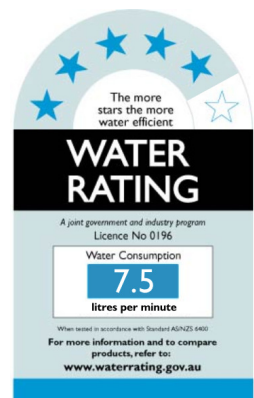
e.g.: for specification and ordering

SPPL.WB.R.WM.WO



Features and Benefits:

- Unit comes complete with splashback to meet regulation requirements, no tiles required.
- Wand activated timed flow valve provides hands free water access for easy hand washing and superior water conservation
- Tempering valve controls water temperature for more effective hygiene.
- Designed for easy installation and years of trouble free service.



Due to continuous product research and development, the information contained herein is subject to change without notification.



Wash Basin Wand Operated

Wall Mounted

Specifications:

- Construction: 1.2mm 304 grade stainless steel construction, no 4 satin finish. Pre plumbed. Supplied with wand operated valve.
- Water Supply: 15mm (1/2" BSP).
- Waste Connection: 40mm, supplied.
- Unit Fixing: Unit is supplied with wall mounting bracket with 10mm fixing holes. Basin is fixed with 6mm fixings.
- Disabled Fixing Height: The unit can be mounted at 800mm above finished floor level for disabled use.

Models:

SPPL.WB.R.WM.WO

Code explanation:

SPPL = Standard Product Plumbing

WB = Wash Basin

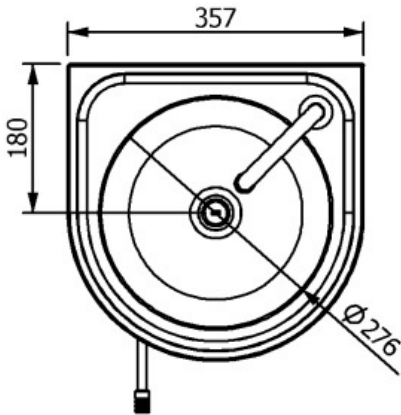
R = Round

WM = Wall mounted

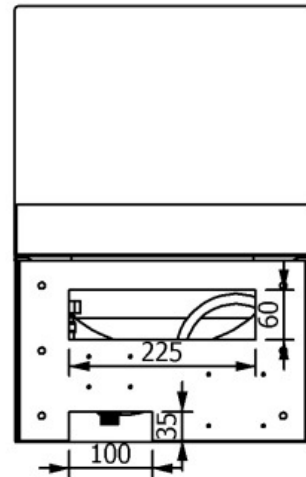
WO = Wand operated

e.g.: for specification and ordering

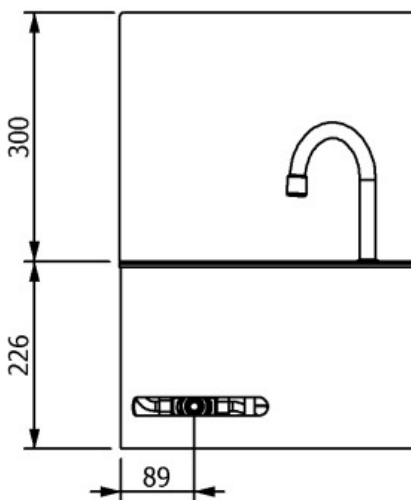
SPPL.WB.R.WM.WO



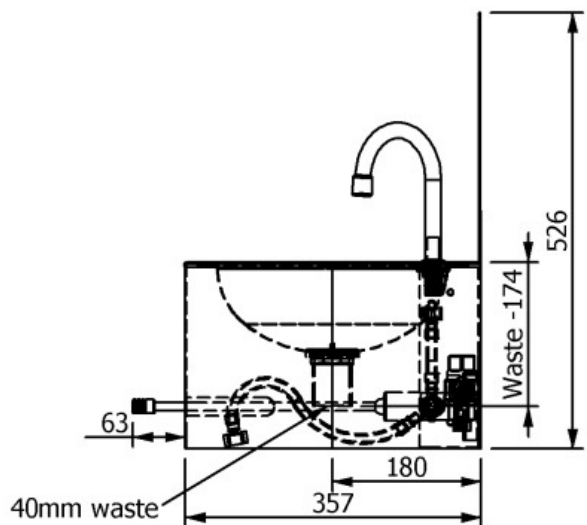
PLAN VIEW



REAR VIEW



FRONT VIEW



END VIEW

Model No.	Length (mm)	Width (mm)	Height (mm)
SPPL.WB.R.WM.WO	357	358	525

Due to continuous product research and development, the information contained herein is subject to change without notification.