



Hand Wash Basin Wand Operated

Type 2

Stoddart Manufacturing designed and introduced the Wand Operated Hand basin to provide easy access to hygienic hand washing. A simple nudge with either your left or right knee or thigh activates the timed water flow.

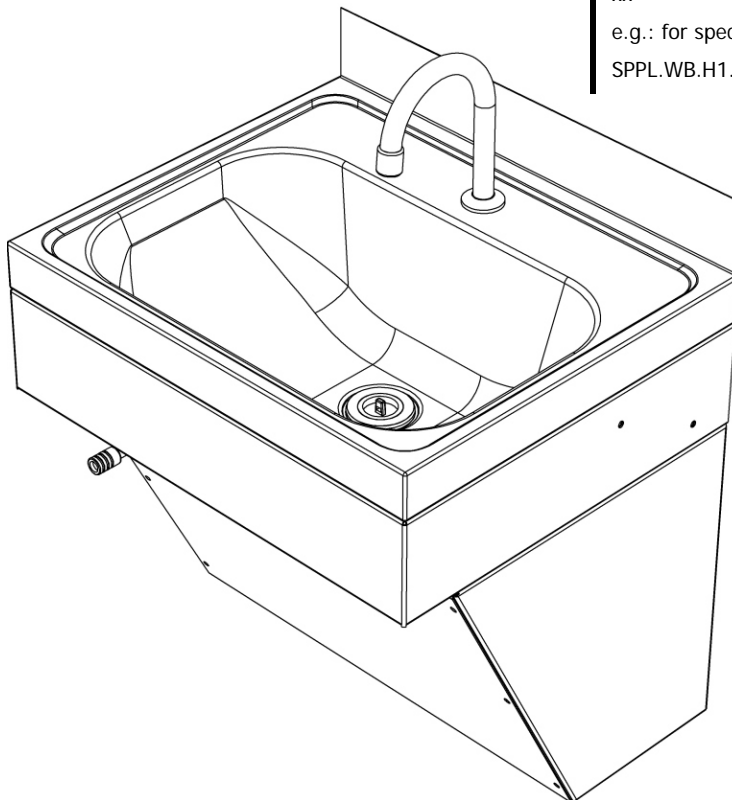
The standard unit comes with a shroud to hide unsightly plumbing connections, designed to allow disabled access as defined in AS 1428.1-2001.

Models:

SPPL.WB.H1.WM.WO.2.300.xx

Code explanation:

- SPPL = Standard Product Plumbing
 - WB = Wash Basin
 - H1 = Hand Wash Basin
 - WM = Wall mounted
 - WO.2 = Wand operated, with lower plumbing shroud
 - 300 = 300mm splashback
 - xx = TV – tempering valve (optional)
- e.g.: for specification and ordering
SPPL.WB.H1.WM.WO.2.300.TV



Features and Benefits:

- Water is easily activated with knee for hygienic hands free use.
- Timed flow valve provides effective hand washing and saves water.
- Gooseneck spout provides aerated water for minimum splash and has Wels 5 star rating.
- Sturdy stainless steel construction ensures lifelong service.
- A 300mm splashback can be ordered with the unit for easy installation and to comply with plumbing requirements of most authorities.
- Optional tempering valve can be fitted to provide comfort and improved cleaning (requires plumber installation).
- Easy mount single brackets have multiple fixing holes for a quick installation by plumber.
- Stainless steel shroud fully encloses plumbing for additional hygiene and security.
- Suitable for users with disabilities or arthritis that could inhibit normal tap operation.

SPPL.WB.KO2.D.GS



Suitable for use where disabled access is required



Due to continuous product research and development, the information contained herein is subject to change without notification.



Hand Wash Basin Wand Operated

Type 2

Specifications:

- Construction: Fully welded seamless 1.2mm 304 grade stainless steel construction, no 4 satin finish. Pre plumbed wand operated timed flow valve.
- Water Supply: 15mm (1/2" BSP).
- Waste Connection: 40mm, supplied.
- Unit Fixing: Unit is supplied with wall mounting bracket with 10mm fixing holes. Basin is fixed to bracket with 6mm fixings.
- Disabled Fixing Height: The unit can be mounted at 800mm above finished floor level for disabled use.

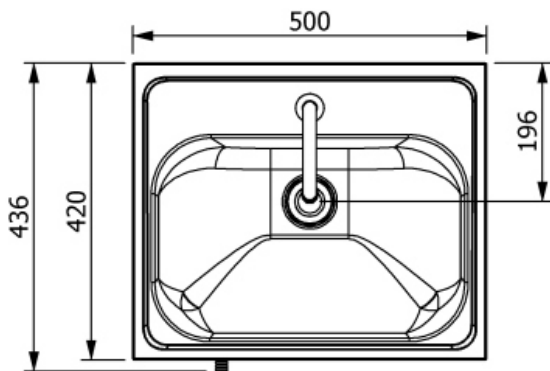
Models:

SPPL.WB.H1.WM.WO.2.300.xx

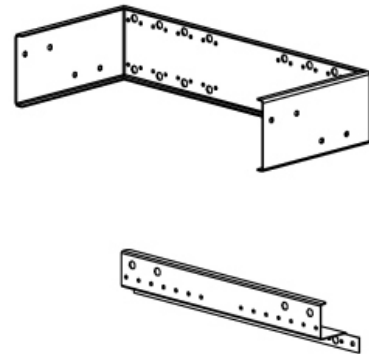
Code explanation:

- SPPL = Standard Product Plumbing
 - WB = Wash Basin
 - H1 = Hand Wash Basin
 - WM = Wall mounted
 - WO.2 = Wand operated, with lower plumbing shroud
 - 300 = 300mm splashback
 - xx = TV – tempering valve (optional)
- e.g.: for specification and ordering

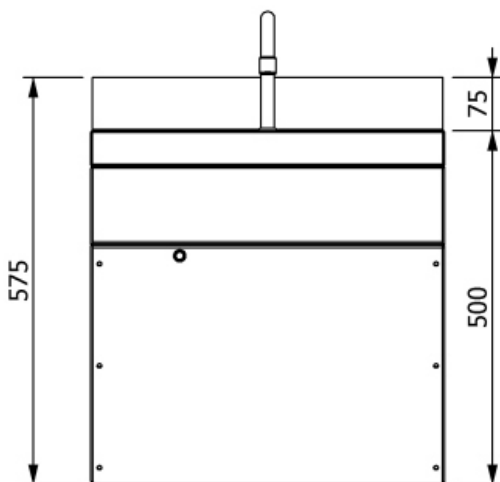
SPPL.WB.H1.WM.WO.2.300.TV



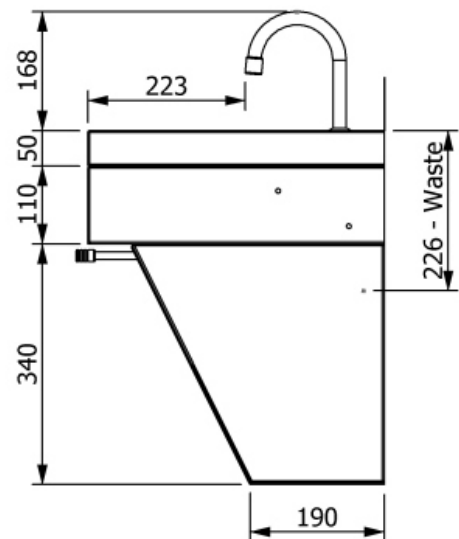
PLAN VIEW



WALL BRACKETS



FRONT VIEW



END VIEW

Model No.	Length (mm)	Width (mm)	Height (mm)
SPPL.WB.H1.WM.WO.2	500	420	668

Due to continuous product research and development, the information contained herein is subject to change without notification.