



Urinal – Wall Mounted

Wall hung urinal

Stoddart Manufacturing's Wall Mounted Urinal is ideal for multiple users in both temporary and permanent use facilities.

Models:

SPPL.UR.W.X.YYYY

Code explanation:

SPPL = Standard Product Plumbing

UR = Urinal

W = Wall Hung

X = C – Centre waste

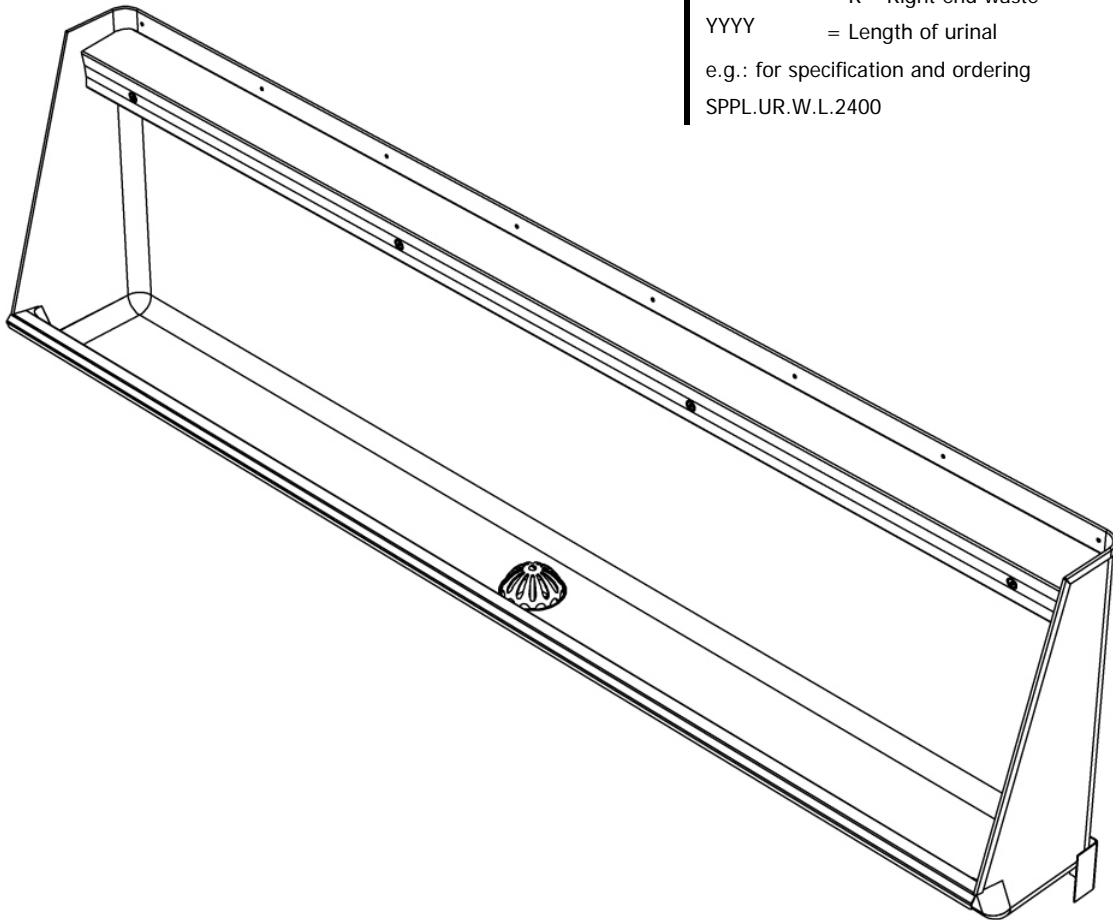
= L – Left end waste

= R – Right end waste

YYYY = Length of urinal

e.g.: for specification and ordering

SPPL.UR.W.L.2400



Features and Benefits:

- Welded construction made from 1.2mm 304 stainless steel, no 4 brushed finish.
- Standard lengths from 900mm to 2400mm in 300mm increments. Custom sizes also available.
- 50mm domed waste can be ordered left, centre or right.
- Water efficient design allows Wels approved flush valves.



Rating achieved with Sanitron electronic valve.



Due to continuous product research and development, the information contained herein is subject to change without notification.



Urinal – Wall Mounted

Wall hung urinal

Specifications:

- Construction:** Fully welded 1.2mm 304 stainless steel construction, no 4 brushed finish.
Integrated mounting brackets.
- Water Connection:** Top or rear entry inlets. Designed for use with Wels approved flushing devices that deliver 1.4L/600mm stall.
- Waste Connection:** 50mm for length <2400mm
Positioned 98mm from rear wall and 170mm from side wall.
- Unit fixing:** Unit is designed to be positioned so as the front lip of the urinal is approximately 600mm from the finished floor level.
Supplied with stainless steel mounting bracket at base for screw fixing to the wall at base. Unit should also be screwed to the wall through the top fixing edge.

Models:

SPPL.UR.W.X.YYYY

Code explanation:

SPPL = Standard Product Plumbing

UR = Urinal

W = Wall Hung

X = C – Centre waste

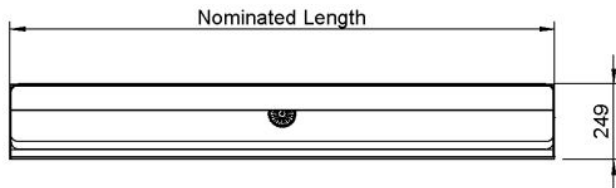
= L – Left end waste

= R – Right end waste

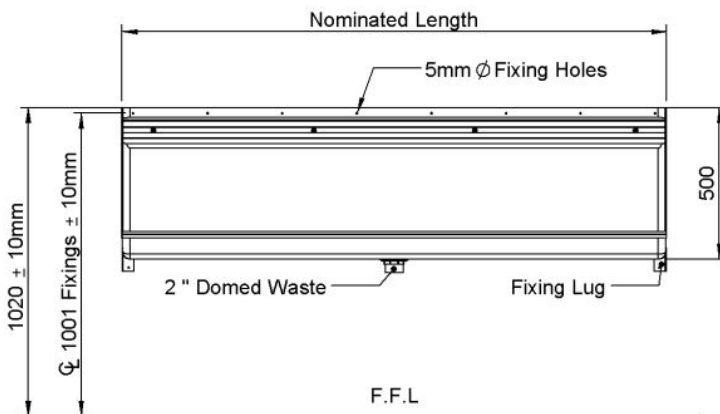
YYYY = Length of urinal

e.g.: for specification and ordering

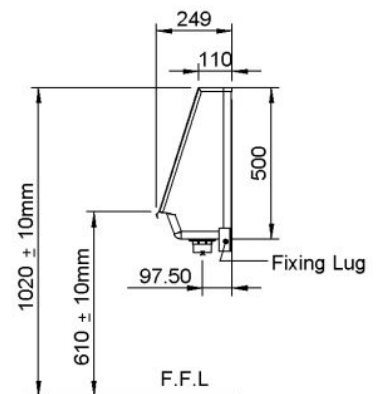
SPPL.UR.W.L.2400



PLAN VIEW



FRONT VIEW



END VIEW

Due to continuous product research and development, the information contained herein is subject to change without notification.