

Toilet Pan

Close Coupled

The Close Coupled Toilet Pan is robust and secure for applications prone to vandalism. This Toilet Suite is ideal for public amenities, hospitals, correctional centres, railway stations, shopping centres and schools.

The Close Coupled Toilet Pan from Stoddart Manufacturing combines Stoddart's toilet pan and flushing device into one unit. The toilet pan has the most water efficient dual flush rating (certified by Wels for 4.5L full flush and 3L half flush).

Vandal resistant, stainless steel construction provides superior strength, superior hygiene and long service life.

Models:

SPPL.TP.CC.x.y

Code explanation:

SPPL = Standard Product Plumbing

TP = Toilet Pan

CC = Close Coupled

x S = Standard

A = Ambulant Disabled

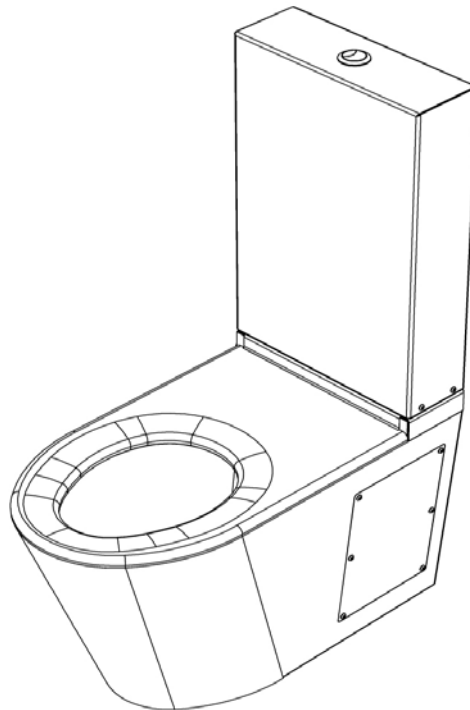
D = Disabled

y C = Cistern

E = Electronic Flush

e.g.: for specification and ordering

SPPL.TP.CC.S.C



Features and Benefits:

- Formed stainless seat provides superior comfort, hygiene and strength.
- Seat surface slopes inward so any splashes drain into the bowl for improved hygiene.
- Seat has smooth hydraulically formed radius to outer and inner edges for safety and comfort.
- For those wanting a domestic look, most hinged plastic seats and lids can be easily added.
- The flushing device access cover and large side access panels are secured with Torx fasteners.
- Toilet pan seat has an anti-contraband flushing rim for effective cell safety.
- Models include Standard, Ambulant Disabled or Wheelchair Disabled configuration.
- There are two flushing device options; Electronic Dual Flush Valve (4.5L/3L) or Manual Dual Flush Cistern (Adjustable for either 6L or 4.5L/3L).



Due to continuous product research and development, the information contained herein is subject to change without notification.



Toilet Pan

Close Coupled

Specifications:

Construction: 2mm 304 stainless steel no 4 finish.

Flushing: Toilet is watermarked and WELS rated for 4.5L full flush/3L half flush.
Flushing device options; Electronic Dual Flush Valve (4.5L/3L) or Manual Dual Flush Cistern (Adjustable for either 6L or 4.5L/3L).

Water Connection: A 15mm connection with wall stop cock located within pan area.
A 20mm mains connection is required to the flush valve. Water pressure regulated between 250kPa and 500kPa and have a flow rate between 1.2 and 1.5 Litres/s at the valve face.

Waste Connection: P trap is standard (95mm OD) & includes a rubber coupling included to suit 100mm PVC or copper sewer pipe.
P-S adaptor can be ordered separately (Std Pan bend & Q-bend set-outs are shown below).

Unit fixing: The unit has holes for fixing to floor and wall.
A Z-clip is supplied to secure the front of the base to the floor when unit is pushed to wall.

Models:

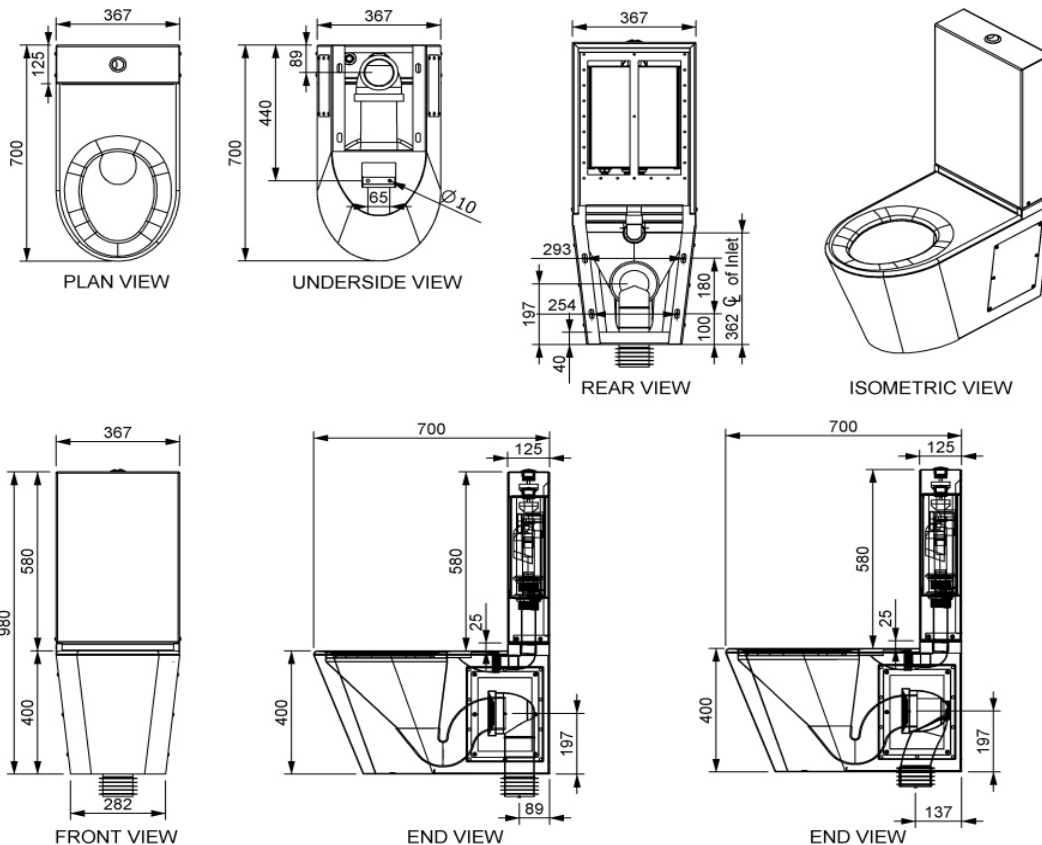
SPPL.TP.CC.x.y

Code explanation:

- SPPL = Standard Product Plumbing
- TP = Toilet Pan
- CC = Close Coupled
- x S = Standard
- A = Ambulant Disabled
- D = Disabled
- y C = Cistern
- E = Electronic Flush

e.g.: for specification and ordering

SPPL.TP.CC.S.C



Description	Model No.	Length (mm)	Seat Height (mm)	Overall Height (mm)	Waste Set-out (mm)
Standard with Cistern	SPPL.TP.CC.S.C	700	400	980	88 Std bend
Standard with Electronic Flush	SPPL.TP.CC.S.E				138 Q-Bend
Ambulant with Cistern	SPPL.TP.CC.A.C	650	470	1050	88 Q-bend
Ambulant with Electronic Flush	SPPL.TP.CC.A.E				
Disabled with Electronic Flush	SPPL.TP.CC.D.E	800	470	1050	188 Std Bend 238 Q-Bend

Due to continuous product research and development, the information contained herein is subject to change without notification.