



Toilet Pan

Wall Faced, Type 3, Long Drop

Long Drop Toilet Pans, made in Australia by Stoddart Manufacturing, are ideal for national parks and forestry park areas with pit toilet systems.

The Stoddart Toilet Pan reduces maintenance costs. It is designed using the highly reputed Stoddart Security Toilet for high security prisons and public amenities.

The Long Drop Toilet Pan is vandal resistant, fully welded stainless steel. This construction provides superior strength, hygiene and long service life.

The toilet seat is hydraulically formed to create a safe, strong, comfortable contoured and self draining profile.

Models:

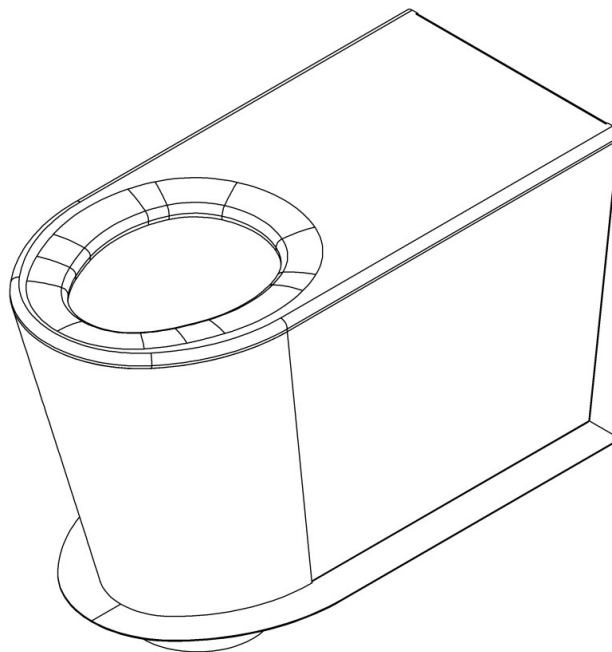
SPPL.TP.WF.3.LD.X.YY

Code explanation:

SPPL	= Standard Product Plumbing
TP	= Toilet Pan
WF	= Wall Faced
3	= Type 3
LD	= Long drop
X	= S – Standard height = D – Disabled height
YY	= S – Standard spec = HD – Heavy duty

e.g.: for specification and ordering

SPPL.TP.WF.3.D.S.BSA



Features and Benefits:

- Standard unit has 2.0mm stainless steel shroud and formed seat for superior hygiene and strength.
- Optional 316 grade stainless steel is suitable for highly corrosive environments.
- Base flange allows easy fastening into place on most floor surfaces.
- Plumbing and fixing points are concealed for security and vandal resistance with access to plumbing via side access panels.
- Seat has smooth hydraulically formed radius to both outer and inner edges for safety and comfort and has a self draining seat surface for improved hygiene.
- All external corners are rounded with a smooth radius to both outer and inner edges for safety and comfort and has a self draining seat surface for improved hygiene.
- Available in disabled height and length to comply with AS1428.



Due to continuous product research and development, the information contained herein is subject to change without notification.



Toilet Pan

Wall Faced, Type 3, Long Drop

Specifications:

Construction: Toilet bowl – 304 stainless steel.
Seat, Body and shroud – 2mm 304 stainless steel no 4 finish.

Unit fixing: The unit is designed to be fixed to the rear wall and floor internally or fastened to the floor externally through the base flange plate.

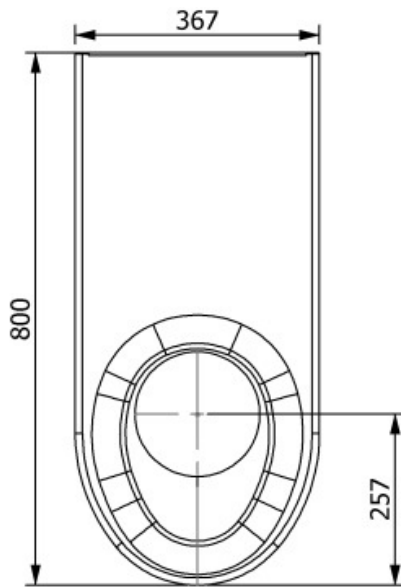
Models:

SPPL.TP.WF.3.LD.X.YY

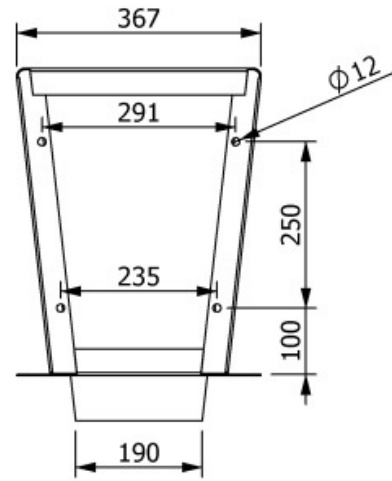
Code explanation:

- SPPL = Standard Product Plumbing
- TP = Toilet Pan
- WF = Wall Faced
- 3 = Type 3
- LD = Long drop
- X = S – Standard height
= D – Disabled height
- YY = S – Standard spec
= HD – Heavy duty

e.g.: for specification and ordering

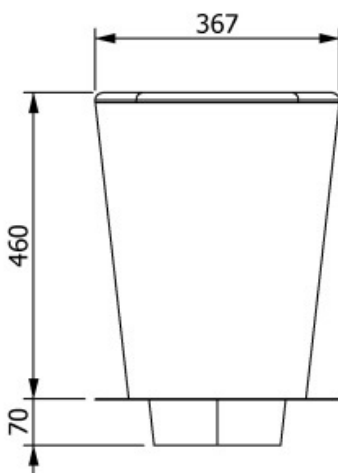


TOP VIEW

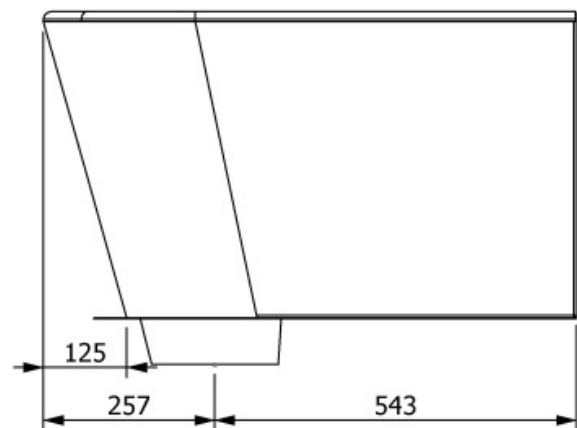


REAR VIEW

Length can be reduced to 460mm for small rooms.



FRONT VIEW



END VIEW

Model No.	Length (mm)	Width (mm)	Height (mm)
SPPL.TP.WF.3.LD.S.ZZ	366.5	550	400
SPPL.TP.WF.3.LD.D.ZZ	366.5	800	>460

Due to continuous product research and development, the information contained herein is subject to change without notification.