

Toilet and Basin Combination Unit

Square

The Toilet and Basin Combination unit from Stoddart Manufacturing is ideal for high security prisons, detention centres and police stations.

This unit has fully welded seamless stainless steel construction for superior strength and hygiene.

The toilet seat is hydraulically formed to create a comfortable contoured and self draining profile.

Electronic Piezo buttons and water management flow controllers activate flush and bubbler. Water management flow controllers can be interfaced to network or central controller and reporting system.

The standard model of the SPPL.TP.CS range is the SPPL.TP.CS.NT.FA.ED.WA Additional suffixes may be added for site specific variations. (E.g. for WA Police, an additional block is added between bubbler and splashback, this variation is now recognised by the suffix WA).

Models:

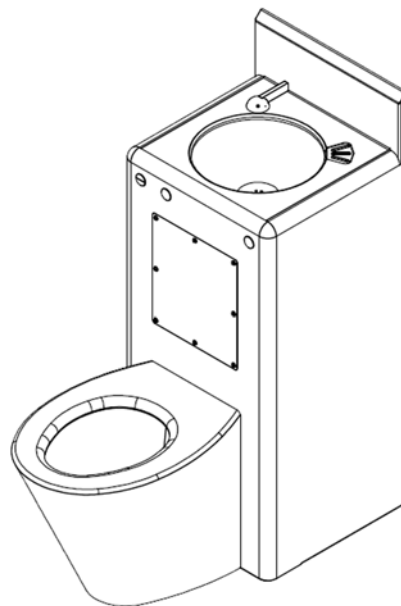
SPPL.TP.CS.X.Y.Z

Code explanation:

SPPL	= Standard Product Plumbing
TP	= Toilet Pan
CS	= Combination, square
X	= NT – Not toilet roll holder = T – Toilet roll holder
Y	= FA – front access panel = RA – Rear access panel
Z	= MS – Manual single flush = ED – Electronic dual flush = ES – Electronic single flush = ER – Electronic, remote

e.g.: for specification and ordering

SPPL.TP.CS.NT.FA.ER



Features and Benefits:

- Concealed plumbing and fixings for vandal resistance.
- Toilet pan seat has an anti-contraband flushing rim for effective cell inspection and is profiled for user comfort, improved hygiene and safety.
- All external corners are rounded with a smooth radius for improved safety.
- The basin has an integrated soap holder and cell-safe security drain.
- Water conserving security bubbler controls water flow for hand washing and drinking to 2L/min
- Low profile, domed bubbler provides improved anti-hang safety (optional wedge is added behind for WA only).
- Electronic Piezo buttons and flow controller can easily be interfaced to water management control. Buttons can be positioned in the body or remote from the unit.
- Electronic (single or dual) flush and electronic bubbler activation provides maximum serviceability.
- Optional toilet roll holder can be welded in right side panel.
- Rear access option is preferred for high security prisons and detention centres.



Rating achieved with Sanitron electronic dual flush valve.

Due to continuous product research and development, the information contained herein is subject to change without notification.



Toilet and Basin Combination Unit

Square

Specifications:

- Construction:** 1.5mm 304 stainless steel, no 4 satin finish. Solid stainless steel anti-hang bubbler is mounted in the deck, 45° of rear. Can be repositioned by special request.
- Flushing:** Manual single flush is Watermarked and Wels rated for 6L flush. Electronic dual flush is Watermarked and Wels approved. Flush valve installation should have water pressure regulated between 250kPa and 500kPa and have a flow rate between 1.2 and 1.5 L/s to the valve face.
- Water Connection:** 20mm mains connection to flush valve. 15mm main connection to basin valve. Basin valve is pre-plumbed and secured with a bracket for ease of connection and service.
- Waste Connection:** P trap standard, optional P-S adaptor can be ordered separately. 95mm OD stainless steel spigot with rubber coupling included to suit 100mm PVC or copper sewer pipe. 40mm threaded basin connection to suit PVS trap.
- Unit fixing:** The unit is designed to be fixed to both the floor and the rear wall.

Models:

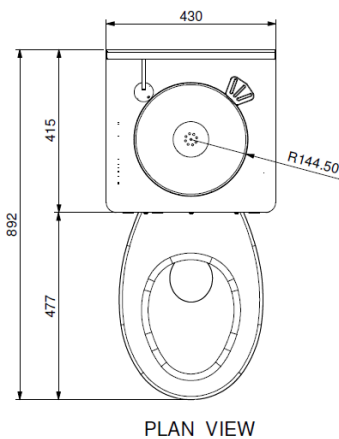
SPPL.TP.CS.X.Y.Z

Code explanation:

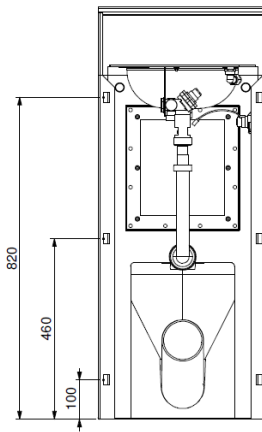
- SPPL = Standard Product Plumbing
- TP = Toilet Pan
- CS = Combination, square
- X = NT – Not toilet roll holder
= T – Toilet roll holder
- Y = FA – front access panel
= RA – Rear access panel
- Z = MS – Manual single flush
= ED – Electronic dual flush
= ES – Electronic single flush
= ER – Electronic, remote

e.g.: for specification and ordering

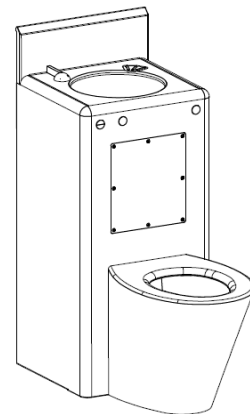
SPPL.TP.CS.NT.FA.ER



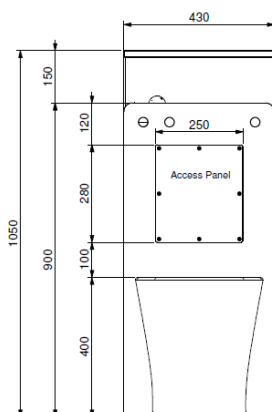
PLAN VIEW



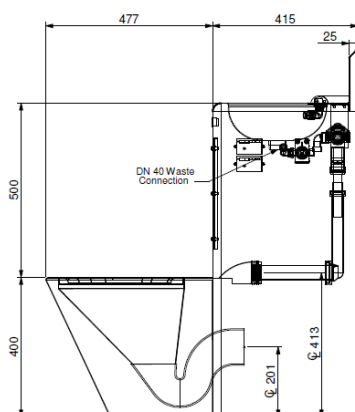
REAR VIEW



ISOMETRIC VIEW



FRONT VIEW



END VIEW

Model No.	Length (mm)	Width (mm)	Height (mm)
SPPL.TP.CS.X.Y.Z	430	892	1045

Due to continuous product research and development, the information contained herein is subject to change without notification.