



# Toilet and Basin Combination Unit

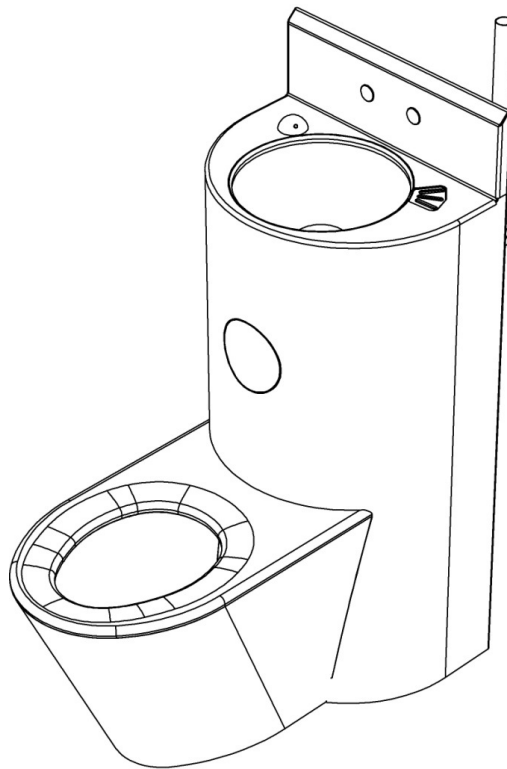
Round Type 2

The Toilet and Basin Combination unit from Stoddart Manufacturing is ideal for high security prisons, detention centres and police stations.

This unit has fully welded seamless stainless steel construction for superior strength and hygiene.

The toilet seat is hydraulically formed to create a comfortable contoured and self draining profile.

Electronic Piezo buttons and water management flow controllers activate flush and bubbler. Water management flow controllers and be interfaced to network or central controller and reporting system.



**Models:**

**SPPL.TP.CR2.W.X.Y.Z**

Code explanation:

- SPPL = Standard Product Plumbing
- TP = Toilet Pan
- CR2 = Combination, round type 2
- W = L35 – Pan 35° off left wall  
= L45 – Pan 45° off left wall  
= R35 – Pan 35° off right wall  
= R45 – Pan 45° off right wall  
= C90 – Pan centred 90° off wall  
= L90 – Pan offset left 90° off wall  
= R90 – Pan offset right 90° off wall
- X = T – Toilet roll holder  
= NT – No toilet roll holder
- Y = BSA – Both sides access panel  
= LSA – Left side access panel  
= RSA – Right side access panel  
= RA – Rear duct access
- Z = ED – Electronic dual flush  
= ES – Electronic single flush  
= ER – Electronic, remote.

e.g.: for specification and ordering

SPPL.TP.CR2.R35.T.RA.ED

**Features and Benefits:**

- Concealed plumbing and fixings for vandal resistance.
- 2.0mm stainless steel shroud for superior strength., 3.0mm heavy duty spec optional.
- Toilet pan seat has an anti-contraband flushing rim for effective cell inspection.
- Seat is profiled for user comfort, improved hygiene and safety.
- All external corners are rounded with a smooth radius for improved safety.
- Basin has an integrated soap holder and cell-safe security drain.
- Low profile, domed bubbler provides improved anti-hang safety and controls water flow for hand washing and drinking to 2L/min.
- Electronic Piezo buttons and flow controller can easily be interfaced to water management control.
- Electronic (single or dual) flush and electronic bubbler activation provides maximum serviceability.
- Optional toilet roll holder can be welded in right side panel.
- Rear access option is preferred for high security prisons and detention centres.



Rating achieved with Sanitron electronic dual flush valve.



Due to continuous product research and development, the information contained herein is subject to change without notification.



# Toilet and Basin Combination Unit

Round Type 2

**Specifications:**

- Construction:** Standard.  
2mm 304 stainless steel, no 4 satin finish.  
Heavy Duty.  
3.0mm 304 stainless steel toilet seat.  
2.0mm stainless steel no 4 finish Body and Shroud.  
Bubbler.  
Solid stainless steel anti-hang bubbler is mounted in the deck, 45° of rear. Can be repositioned by special request.
- Flushing:** Flush valve installation should have water pressure regulated between 250kPa and 500kPa and have a flow rate between 1.2 and 1.5 L/s to the valve face.
- Water Connection:** 20mm mains connection to flush valve.  
15mm main connection to basin valve. Basin valve is pre-plumbed and secured with a bracket for ease of connection and service.
- Waste Connection:** P trap standard, optional P-S adaptor can be ordered separately.  
95mm OD stainless steel spigot with rubber coupling included to suit 100mm PVC or copper sewer pipe.  
40mm threaded basin connection to suit PVS trap.
- Unit fixing:** The unit is designed to be fixed to both the floor and the rear wall. Z clip provides easy floor fixing.

**Models:**

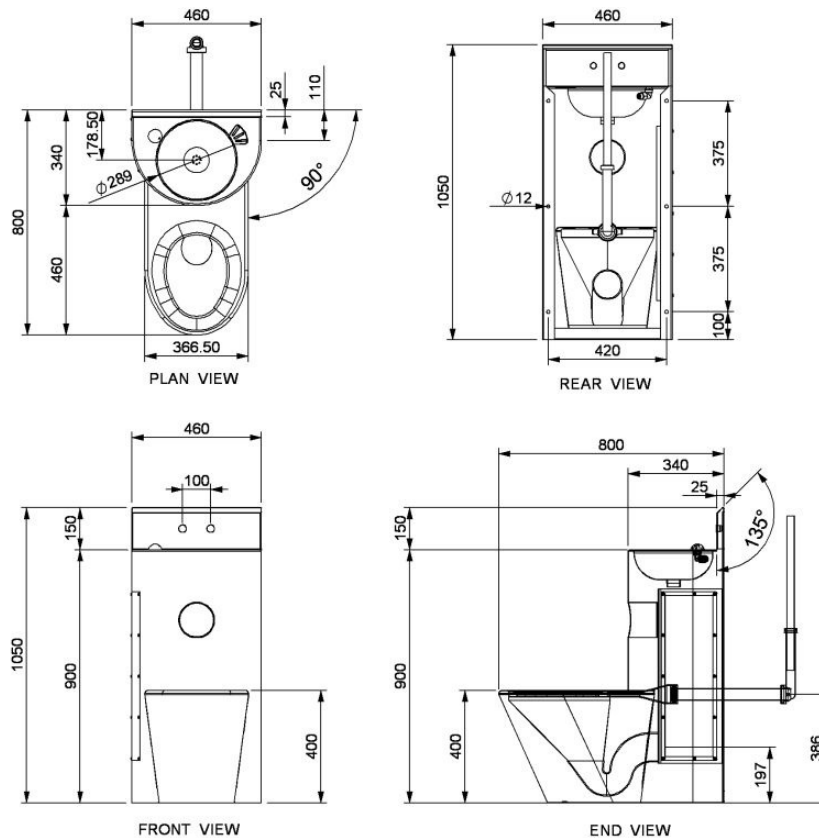
**SPPL.TP.CR2.W.X.Y.Z**

Code explanation:

- SPPL = Standard Product Plumbing  
TP = Toilet Pan  
CR2 = Combination, round type 2  
W = L35 – Pan 35° off left wall  
= L45 – Pan 45° off left wall  
= R35 – Pan 35° off right wall  
= R45 – Pan 45° off right wall  
= C90 – Pan centred 90° off wall  
= L90 – Pan offset left 90° off wall  
= R90 – Pan offset right 90° off wall  
X = T – Toilet roll holder  
= NT – No toilet roll holder  
Y = BSA – Both sides access panel  
= LSA – Left side access panel  
= RSA – Right side access panel  
= RA – Rear duct access  
Z = ED – Electronic dual flush  
= ES – Electronic single flush  
= ER – Electronic, remote.

e.g.: for specification and ordering

SPPL.TP.CR2.R35.T.RA.ED



Model No.	Length (mm)	Width (mm)	Height (mm)
SPPL.TP.CR2.W.X.Y.Z	varies	varies	1050

Due to continuous product research and development, the information contained herein is subject to change without notification.