



Dual Flush Cistern

Stoddart Manufacturing's Dual Flush cisterns are built to perform year after year. The hygienic outer casing is manufactured from 1.2mm 304 grade stainless steel for maximum durability in the most demanding of locations.

Models:

SPPL.TP.CI.DF

Code explanation:

SPPL = Standard Product Plumbing

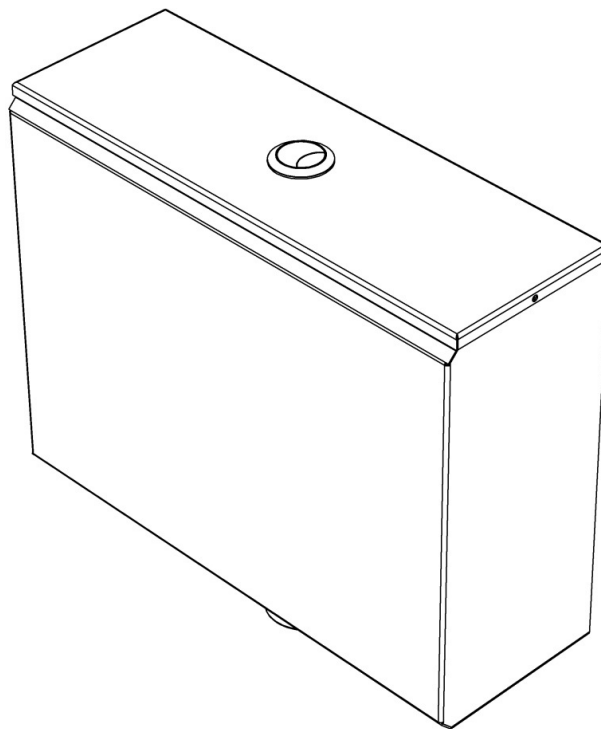
TP = Toilet Pan

CI = Cistern

DF = Dual Flush

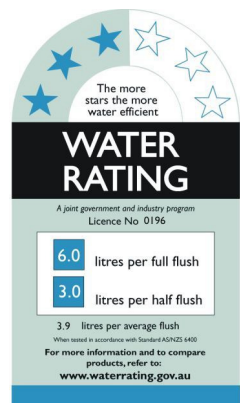
e.g.: for specification and ordering

SPPL.TP.CI.DF



Features and Benefits:

- Wels rated dual flush button for efficient 3/6L dual flush.
- Lift off stainless steel lid is secured to unit.
- Vandal resistant, fully welded seamless construction is hand polished to brushed finish for easy maintenance and premium presentation.
- Unit has 50mm outlet and 20mm threaded PVC inlet. Right hand water inlet position is standard.



Due to continuous product research and development, the information contained herein is subject to change without notification.



Dual Flush Cistern

Specifications:

Construction: Fully welded 1.2mm 304 grade stainless steel seamless construction, polished to no 4 brushed finish.

Water Connection: Single 20mm (3/4") BSP.

Waste Connection: 50mm.

Unit fixing: Supplied with 1.6mm stainless steel easy mount bracket.

Models:

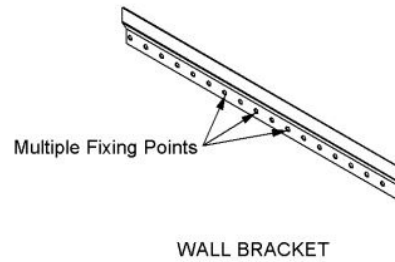
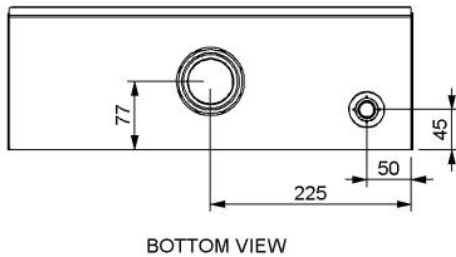
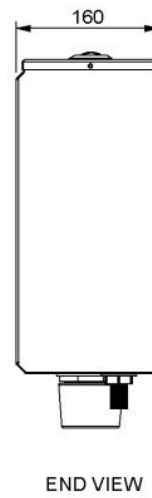
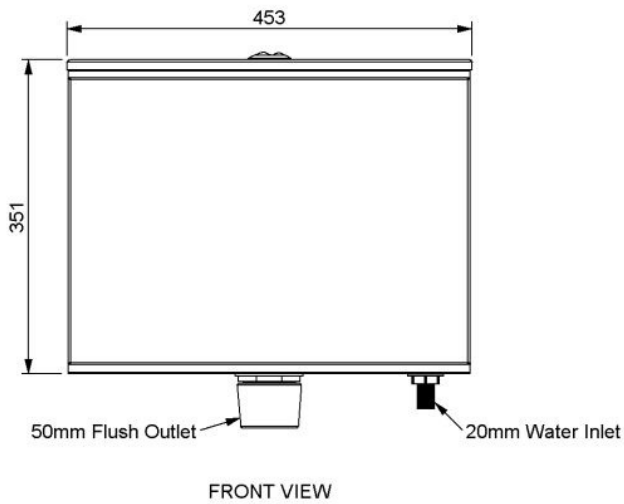
SPPL.TP.CI.DF

Code explanation:

SPPL = Standard Product Plumbing
 TP = Toilet Pan
 CI = Cistern
 DF = Dual Flush

e.g.: for specification and ordering

SPPL.TP.CI.DF



Model No.	Length (mm)	Width (mm)	Height (mm)
SPPL.CI.DF	453	160	351

Due to continuous product research and development, the information contained herein is subject to change without notification.