



## Shower Tray

The Shower Tray from Stoddart Manufacturing is perfect for collecting shower run off.

Standard with a centre drain, eccentric drains are available, at a premium, by special order.

All internal corners have 25mm radius for easy cleaning to eliminate hard to remove grime build up commonly found in square corners.

### Models:

**SPPL.ST.XXXX.XXXX.Y.ZTE**

Code explanation:

SPPL = Standard Product Plumbing

ST = Shower tray

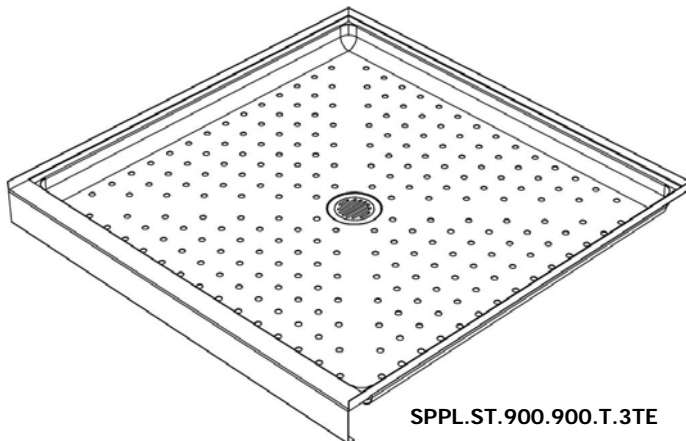
XXXX = Tray length and width (900mm or 1200mm)

Y = S – Smooth  
= T – Textured

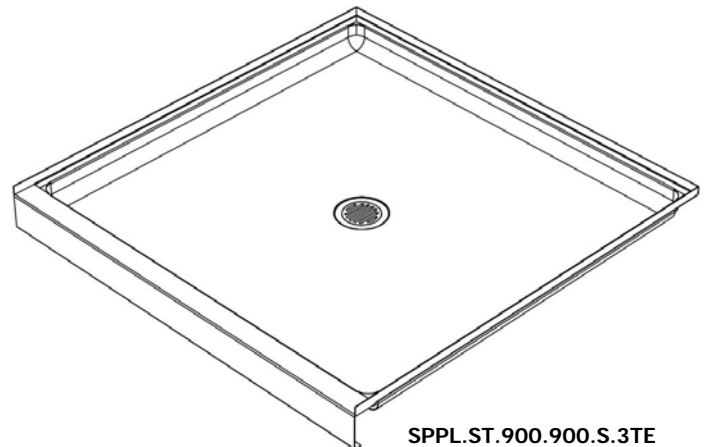
ZTE = 2TE – 2 tile edges  
= 3TE – 3 tile edges

e.g.: for specification and ordering

SPPL.ST.900.900.S.3TE



SPPL.ST.900.900.T.3TE



SPPL.ST.900.900.S.3TE

### Features and Benefits:

- Cost efficient solution for collecting shower runoff.
- Constructed from 304 grade stainless steel, fully welded and polished to no 4 finish.
- Waste is recessed large shower waste with reduction to 50mm diameter waste outlet for connection to standard drainage pipe.
- Fall to waste ensures maximum drainage.



Due to continuous product research and development, the information contained herein is subject to change without notification.



# Shower Tray

**Specifications:**

Construction: Fully welded seamless construction.  
Smooth – no 4 satin finish.  
Textured – highly polished

Waste Connection: Centre drain standard. Eccentric drains by special order. Shower trays all have a recess to suit DN 75-70 shower tray wastes.

Unit fixing: Shower trays are to be installed in accordance with the plumbing code by a licensed plumber.

**Models:**

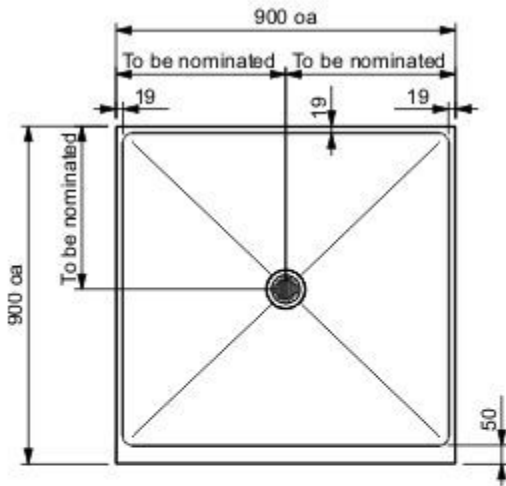
**SPPL.ST.XXXX.XXXX.Y.ZTE**

Code explanation:

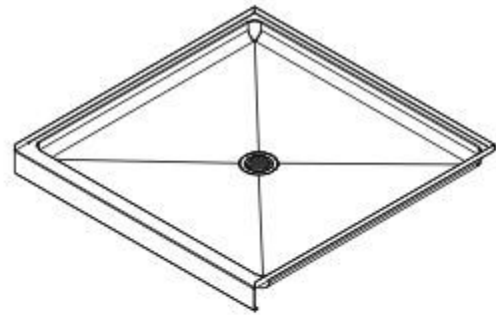
- SPPL = Standard Product Plumbing
- ST = Shower tray
- XXXX = Tray length and width (900mm or 1200mm)
- Y = S – Smooth  
= T – Textured
- ZTE = 2TE – 2 tile edges  
= 3TE – 3 tile edges

e.g.: for specification and ordering

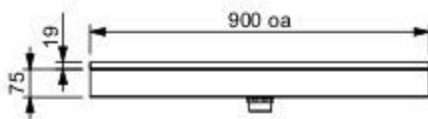
SPPL.ST.900.900.S.3TE



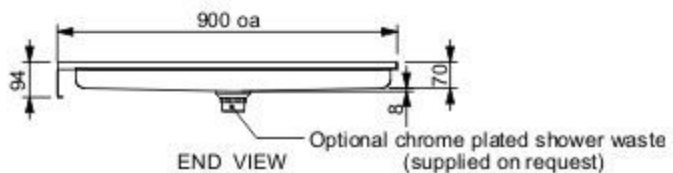
PLAN VIEW



ISOMETRIC VIEW



FRONT VIEW



END VIEW

Model No.	Length (mm)	Width (mm)	Height (mm)
SPPL.ST.900.900.y.zTE	900	900	94
SPPL.ST.900.1200.y.zTE	900	1200	94
SPPL.ST.1200.1200.y.zTE	1200	1200	94
SPPL.ST.LLLL.WWWW.y.zTE	LLLL	WWW	94

Due to continuous product research and development, the information contained herein is subject to change without notification.