



Plaster Arrester

Stoddart Manufacturing's Plaster Arrester is the ideal plumbing protection for schools, hospitals, infirmaries, medical and veterinary practices where plaster build up can be a costly and time consuming headache. Our tried and tested design ensures your worries will be a thing of the past.

Models:

SPPL.PA.FM

Code explanation:

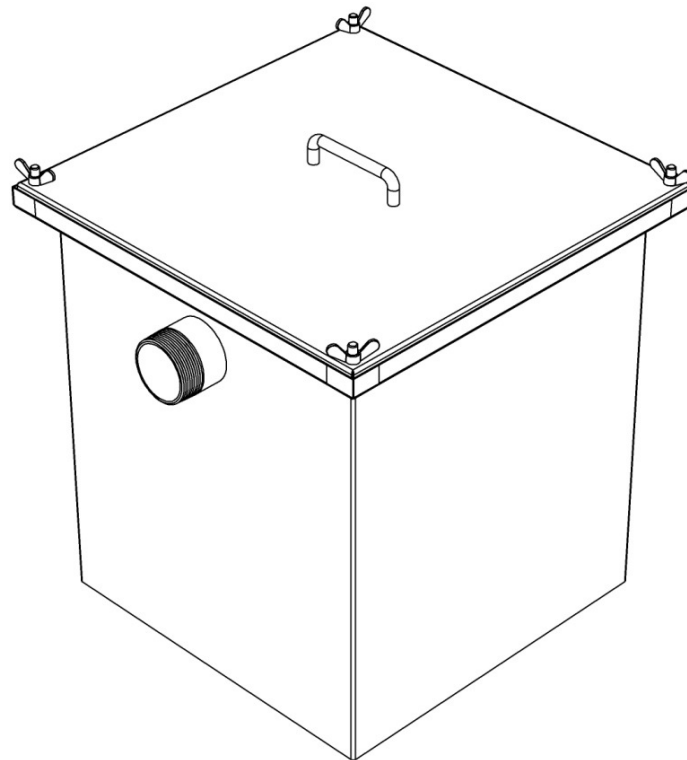
SPPL = Standard Product Plumbing

PA = Plaster Arrester

FM = Floor Mounted

e.g.: for specification and ordering

SPPL.PA.FM



Features and Benefits:

- Fully welded, seamless, stainless steel unit with welded stainless steel inlet and outlet for strength and longevity.
- Sealed rim to provide water tightness.
- Stainless steel for ease of removal and refitting.
- Four layers of fine grade stainless steel mesh strainers assure effective cleaning. Strainers lift out for easy cleaning and maintenance.



Due to continuous product research and development, the information contained herein is subject to change without notification.



Plaster Arrester

Specifications:

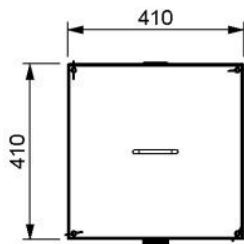
- Construction: 1.2mm 304 grade stainless steel construction, no 4 satin finish.
- Water Supply: 50mm diameter BSP, stainless steel, supplied.
- Waste Connection: 50mm diameter BSP, stainless steel, supplied.

Models:

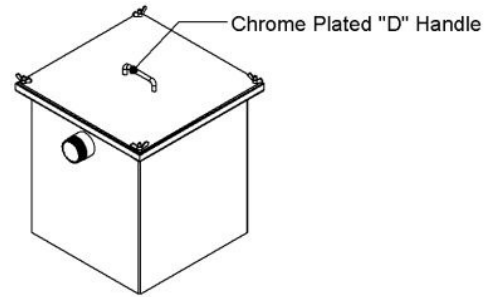
SPPL.PA.FM

Code explanation:

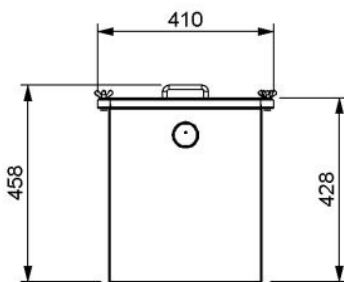
- SPPL = Standard Product Plumbing
 - PA = Plaster Arrester
 - FM = Floor Mounted
- e.g.: for specification and ordering
SPPL.PA.FM



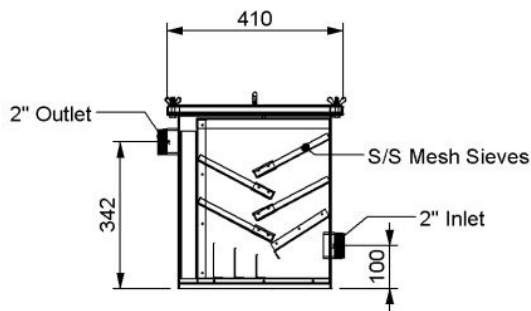
PLAN VIEW



ISOMETRIC VIEW



FRONT VIEW



END VIEW
(showing internal parts)

Model No.	Length (mm)	Width (mm)	Height (mm)
SPPL.PA.FM	410	410	458

Due to continuous product research and development, the information contained herein is subject to change without notification.