

Outdoor Beach Showers

Stoddart Manufacturing's Outdoor Beach Showers are designed and manufactured specifically for outdoor locations including beachfronts and parks. They are vandal resistant and weather resistant. Outdoor Showers have automatic water cut-offs to help conserve water.

Outdoor Showers From Stoddart can also be used indoors in sporting change rooms and Mine bath houses facilities.

Units are supplied fully preplumbed ready for connection to the water supply.

Models:

SPPL.OS.XX.YY.ZZ

Code explanation:

SPPL = Standard Product Plumbing

OS = Outdoor shower

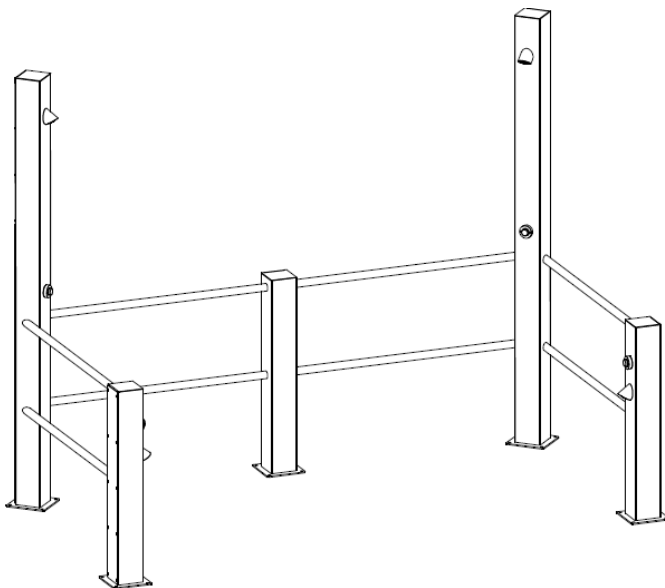
XX = 1P – One post
= 2P – Two posts etc.

YY = 1S – One head shower
= 2S – Two head showers etc.

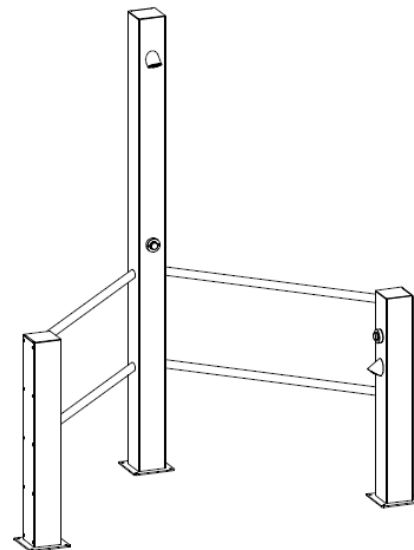
ZZ = 1F – One foot shower
= 2F – Two foot showers etc.

e.g.: for specification and ordering

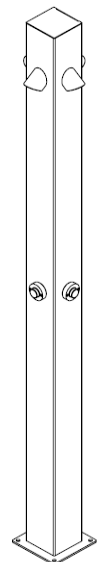
SPPL.OS.3P.1S.1F



SPPL.OS.5P.2S.2F



SPPL.OS.3P.1S.1F



SPPL.OS.1P.4S

Features and Benefits:

- 2200mm high double skinned stainless steel shower column for full height showering.
- Vandal proof showerhead attached from the inside to prevent unwanted removal.
- Unique showerhead design with larger holes to minimise unwanted water spray in windy conditions.
- Timed release valves fitted to provide easy showering to conserve water.
- Non-stick vandal resistant button provides easy operation for people of all ages.
- Optional towel/handrail completes package.



Outdoor Beach Showers

Specifications:

- Construction:** Highly polished stainless steel for long life in marine environments.
Fully welded construction, high strength, vandal resistant design.
- Water Connection:** Connect via 13mm Copper pipe to valve in shower column, for best results a line filter is recommended.
- Unit fixing:** Supplied with 6mm stainless steel base plate for fixing to floor, slab or timber decking. Fixings not supplied.

Models:

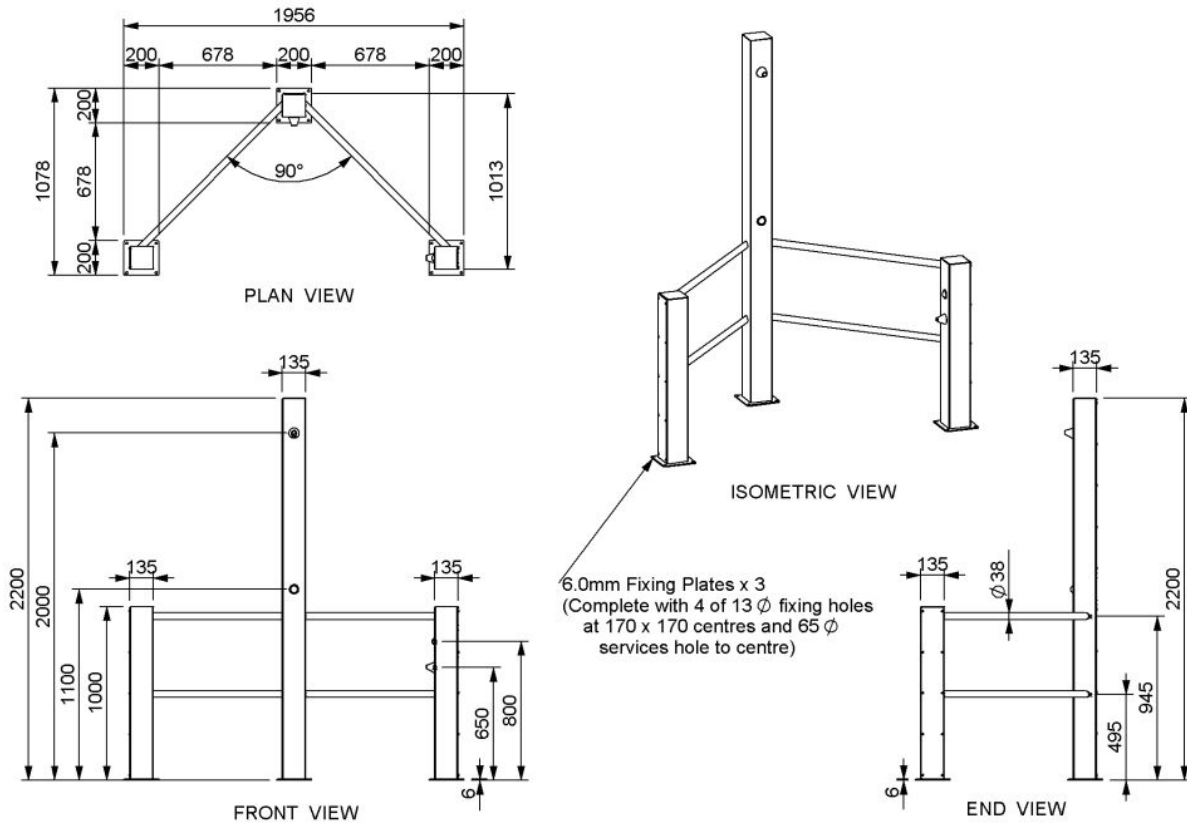
SPPL.OS.XX.YY.ZZ

Code explanation:

- SPPL = Standard Product Plumbing
- OS = Outdoor shower
- XX = 1P – One post
= 2P – Two posts etc.
- YY = 1S – One head shower
= 2S – Two head showers etc.
- ZZ = 1F – One foot shower
= 2F – Two foot showers etc.

e.g.: for specification and ordering

SPPL.OS.3P.1S.1F



SPPL.OS.3P.1S.1F

Model No.	Length (mm)	Width (mm)	Height (mm)
SPPL.OS.XX.YY.ZZ	varies	varies	2200

Due to continuous product research and development, the information contained herein is subject to change without notification.