



Laboratory Bowl

The inset Laboratory Bowl from Stoddart Manufacturing is designed to be easily dropped into an existing bench. Strong Clips secure the bowl into the bench. The Lab Bowls are fully welded from 1.2mm thick, 316 grade stainless steel for optimum corrosion resistance. The bowls have large radius corners for better hygiene.

Models:

SPPL.LB.DI.xxx.yyy.zzz

Code explanation:

SPPL = Standard Product Plumbing

LB = Laboratory Bowl

DI = Drop In

xxx = Length (mm)

yyy = Width (mm)

zzz = Depth (mm)

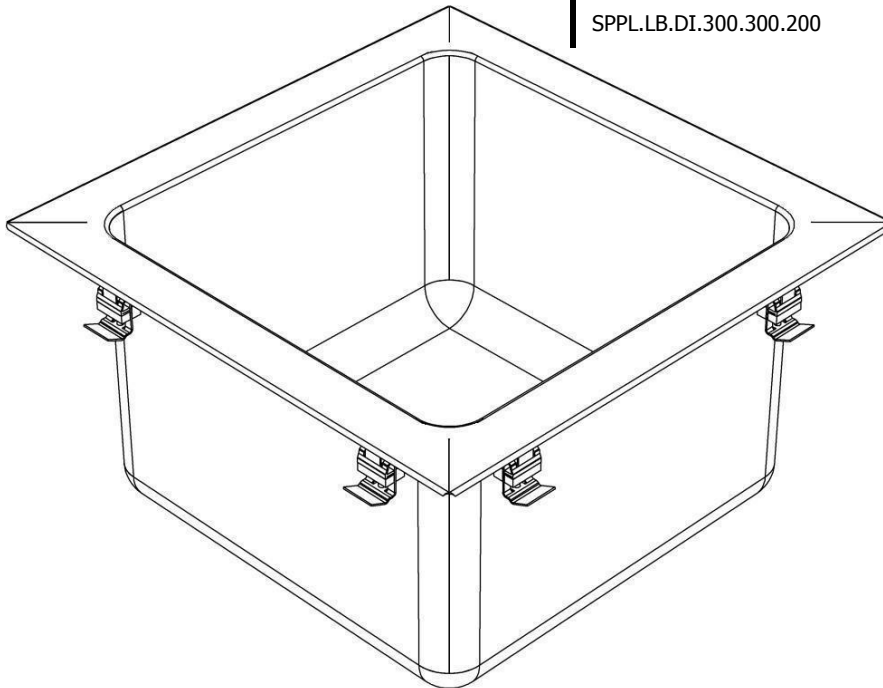
Standard Sizes;

300x300x200

400x400x300

e.g.: for specification and ordering

SPPL.LB.DI.300.300.200



Features and Benefits:

- 316 grade Stainless Steel for Laboratory use
- 1.2mm thick for professional strength and durability.
- Large Radius corners for improved hygiene.
- Fully welded and polished to #4 grade satin finish.
- Safe Edge for laboratory hygiene
- Strong hold down clips secure bowl into laboratory bench.
- 50mm poly acid resistant waste is standard.



Due to continuous product research and development, the information contained herein is subject to change without notification.



Laboratory Bowl

Specifications:

Construction: Fully welded seamless construction, polished to No 4 brushed finish.
1.2mm stainless steel.

Waste Connection: 50mm poly acid resistant waste.

Unit Fixing: The unit is supplied with Clark insert sink clamps

Models:

SPPL.LB.DI.xxx.yyy.zzz

Code explanation:

SPPL = Standard Product Plumbing

LB = Laboratory Bowl

DI = Drop In

xxx = Length (mm)

yyy = Width (mm)

zzz = Depth (mm)

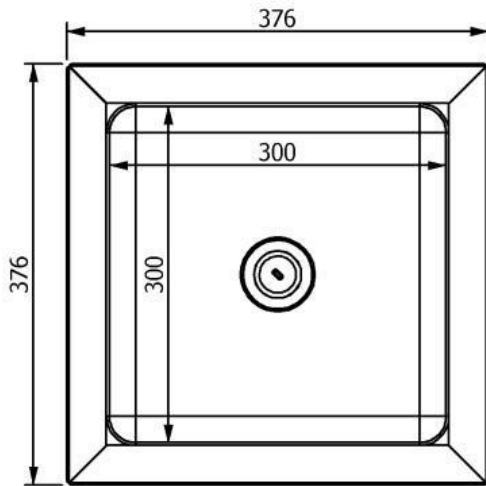
Standard Sizes;

300x300x200

400x400x300

e.g.: for specification and ordering

SPPL.LB.DI.300.300.200



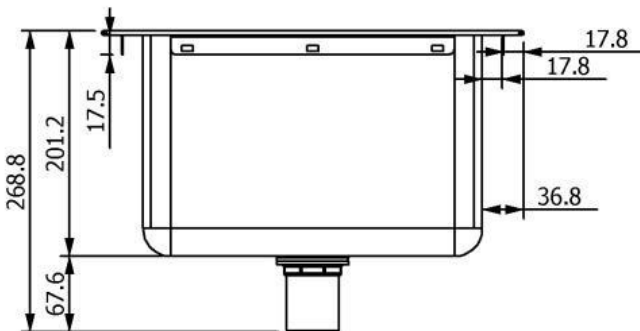
PLAN VIEW



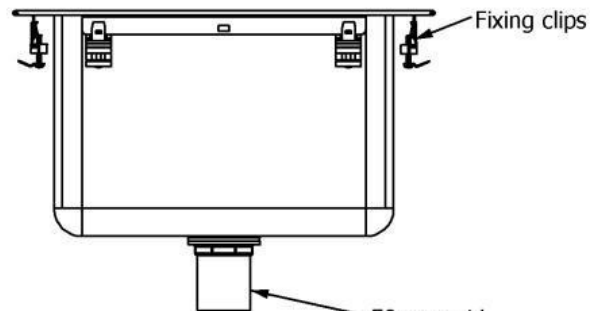
Unit comes with acid resistant plug & waste.



Folded edge for fixing clip attachment.
Unit comes with 4 fixing clips.



FRONT VIEW
(without fixing clips)



END VIEW
(with fixing clips)

Model No.	Length (mm)	Width (mm)	Height (mm)
SPPL.LB.DI.300.300.200	376	376	200
SPPL.LB.DI.400.400.300	476	476	300

Due to continuous product research and development, the information contained herein is subject to change without notification.