



Flushing Rim Sink

Square Bowl Integrated in Sink Bench

The Flushing Rim Sink from Stoddart Manufacturing is ideal for use in hospitals, nursing homes, childcare centres, universities, laboratories and sick bays.

Available in a range of standard lengths to suit your application, this sink is integrated in to the bench top.

This unit includes a fully effective flush design that flushes the full height of all the faces of the sink every time. The sparge is welded to every face to ensure the most hygienic flush is achieved.

Models:

SPPL.FR.X.Y.ZZZZ

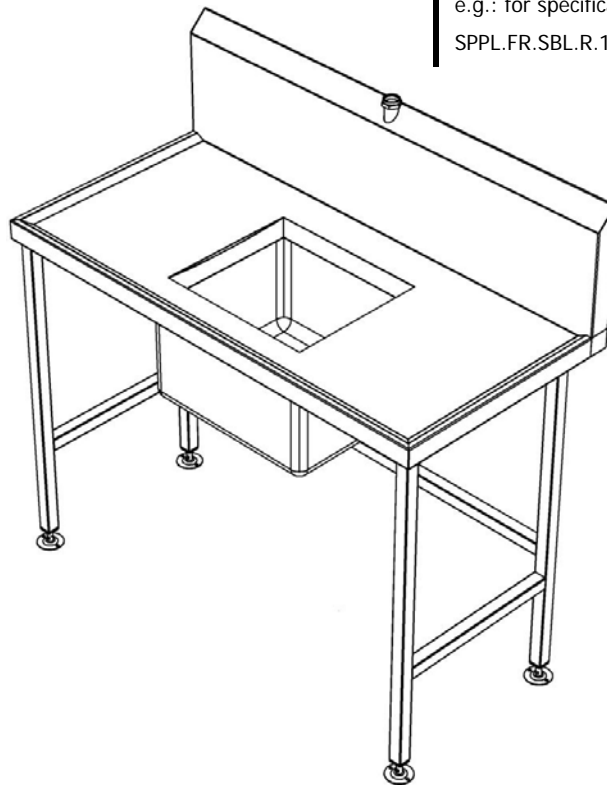
Code explanation:

SPPL = Standard Product Plumbing
FR = Flushing rim sink
X = SBL = Square Sink, left corner bench
SBR = Square Sink, right corner bench
SBS = Square Sink, Straight bench
Y = R = Rear entry flush point
T = Top entry flush point

ZZZZ = Bench length

e.g.: for specification and ordering

SPPL.FR.SBL.R.1800



Features and Benefits:

- Top or rear entry available.
- 25mm concealed sparge pipe welded to side walls all around rim for ultra-hygienic full flush
- Integrated in to bench top to maximise hygiene.
- Supplied with 100mm diameter dropper and 110mm diameter domed strainer.



Due to continuous product research and development, the information contained herein is subject to change without notification.



Flushing Rim Sink

Bench Top Integrated

Specifications:

- Construction: 1.2mm 304 grade stainless steel construction, no 4 satin finish.
- Water Supply: Rear and top inlet connections are 25mm stainless steel.
- Waste Connection: 100mm stainless steel dropper for connection to 100mm PVC or Copper S or P trap complete with perforated dome waste cover.

Models:

SPPL.FR.X.Y.ZZZZ

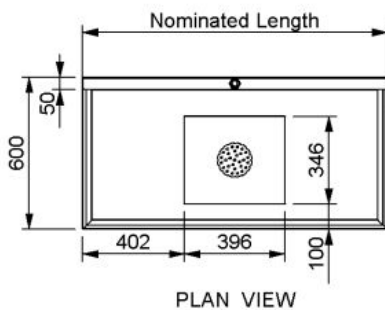
Code explanation:

- SPPL = Standard Product Plumbing
- FR = Flushing rim sink
- X = SBL = Square Sink, left corner bench
SBR = Square Sink, right corner bench
SBS = Square Sink, Straight bench
- Y = R = Rear entry flush point
T = Top entry flush point

ZZZZ = Bench length

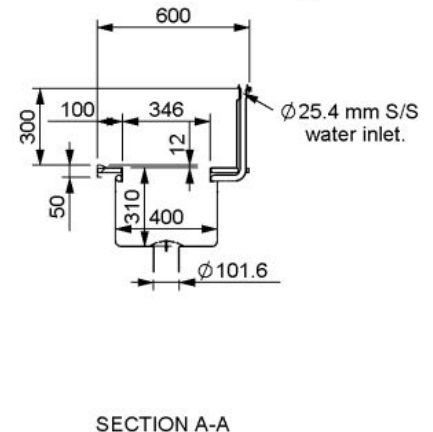
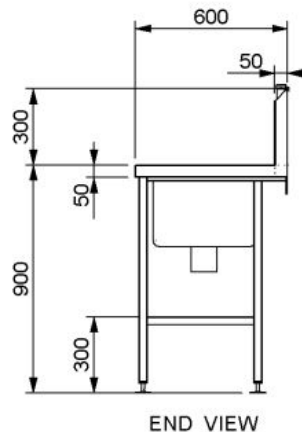
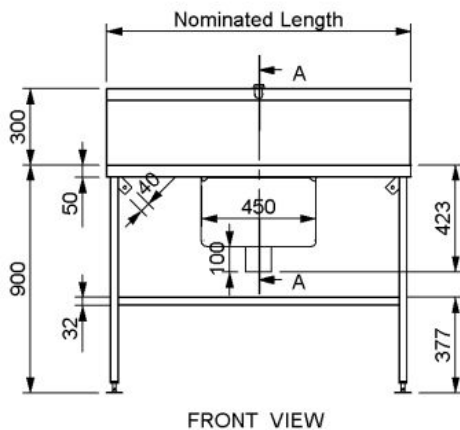
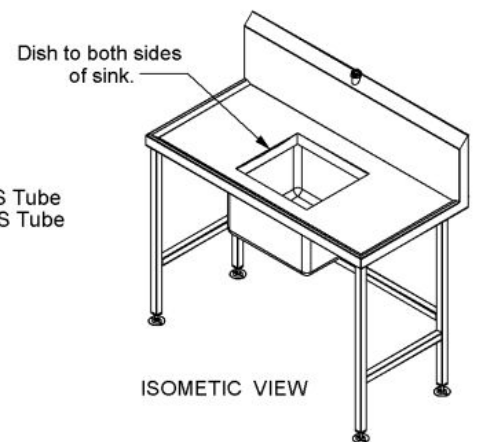
e.g.: for specification and ordering

SPPL.FR.SBL.R.1800



Product Details

- Waste : 101.6 ϕ mm S/S Tube
Water Connection : 25.4 ϕ mm S/S Tube



Model No.	Length (mm)	Width (mm)	Height (mm)
SPPL.FR.X.Y.1200	1200	600	1200
SPPL.FR.X.Y.1500	1500	600	1200
SPPL.FR.X.Y.2000	2000	600	1200
SPPL.FR.X.Y.2500	2500	600	1200
SPPL.FR.X.Y.3000	3000	600	1200

Custom length available at a premium.

Due to continuous product research and development, the information contained herein is subject to change without notification.