



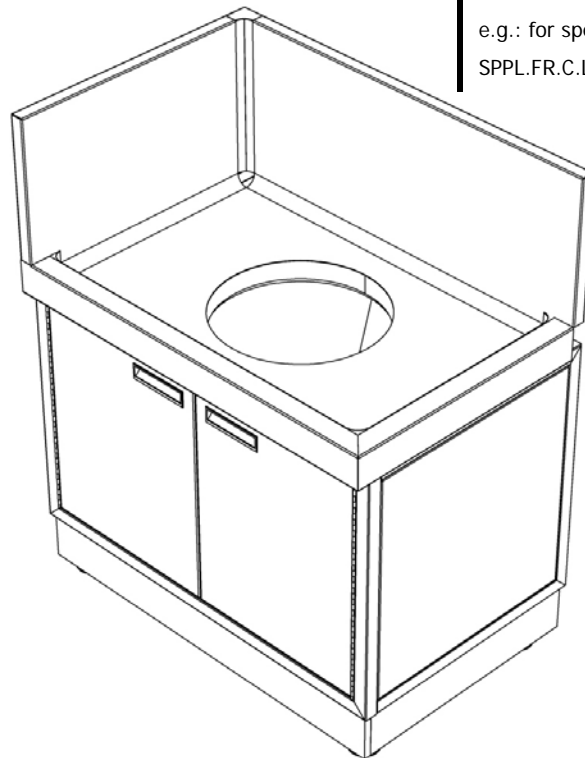
Flushing Rim Sink

Conical

The Flushing Rim Sink from Stoddart Manufacturing is ideal for use in hospitals, nursing homes, childcare centres, universities, laboratories and sick bays.

This Conical shape is available in a range of standard lengths to suit your application. This sink is integrated into the bench top. It can be configured for left or right corner, mid-wall or as an island bench.

This unit has an effective flushing ring design that flushes the full height of the cone. The unit can be flushed by most WC Flushing Devices.



Models:

SPPL.FR.C.X.Y.LLLL.WWW

Code explanation:

SPPL = Standard Product Plumbing

FR = Flushing Rim Sink

C = Conical

X B = Bench

C = Cabinet

Y I = Island bench

L = Left corner bench

R = Right corner bench

LLLL = Overall length (mm)

WWW = Overall width (mm)

e.g.: for specification and ordering

SPPL.FR.C.L

Note: Conical Flushing Rim Sink is also available as a Drop in for fitting into laminate benches.

Features and Benefits:

- Large Conical flushing rim bowl reduces spillage.
- Wet edge on bench contains the area & maintains hygiene standards.
- SS Cupboard doors conceal under-bench plumbing and provides safe storage for cleaning items.
- High splashbacks on corner and mid-wall units offer improved Hygiene.
- Adjustable feet assist in installation.
- Optional hinged Grate is available to cover the sink.



Due to continuous product research and development, the information contained herein is subject to change without notification.



Flushing Rim Sink

Conical

Specifications:

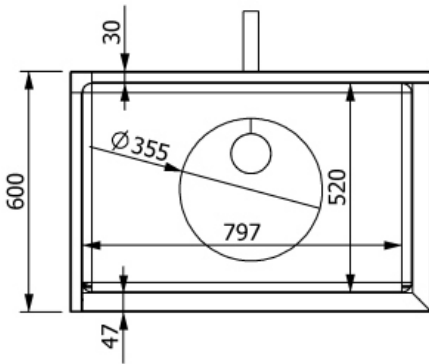
- Construction: 304 grade SS is standard.
- Water Supply: 38mm inlet to Flushing Rim
- Waste Connection: 100mm pvc sewer waste connections
- Unit Fixing: Adjustable feet assist level installation.

Models:

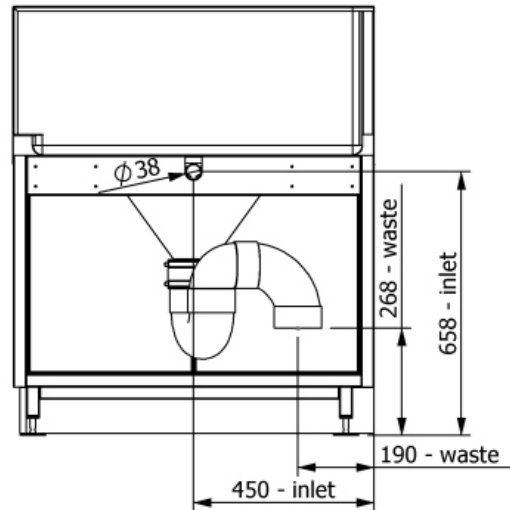
SPPL.FR.C.X.Y.LLLL.WWW

Code explanation:

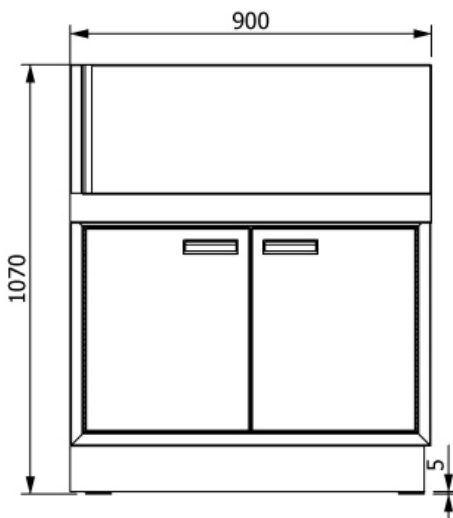
- SPPL = Standard Product Plumbing
- FR = Flushing Rim Sink
- C = Conical
- X B = Bench
C = Cabinet
- Y I = Island bench
L = Left corner bench
R = Right corner bench
- LLLL = Overall length (mm)
- WWW = Overall width (mm)



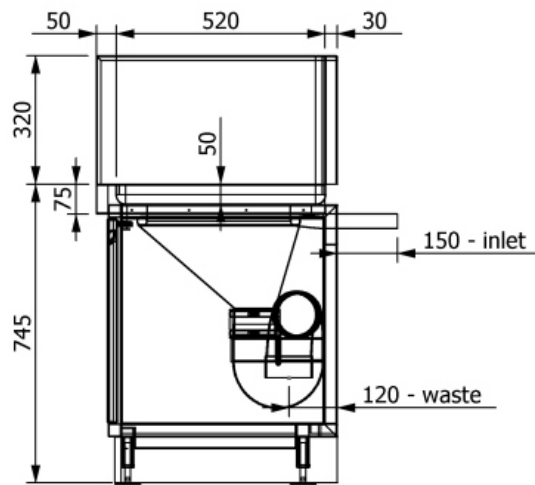
PLAN VIEW



REAR VIEW



FRONT VIEW



END VIEW

Model No.	Length (mm)	Width (mm)	Height (mm)
SPPL-FR-C-L-900x600	900	600	745

Due to continuous product research and development, the information contained herein is subject to change without notification.