

Valve Box

Wall Mounted

Valve boxes from Stoddart Manufacturing compliments Stoddart's SS toilet pans and flushing rim sinks. These valve boxes are ideal for public areas and secure areas prone to vandalism where the valves must be surface mounted on the wall.

Models:

SPPL.FD.VB.WM.XX

Code explanation:

SPPL = Standard Product Plumbing

FD = Flushing Device

VB = Valve Box

WM = Wall Mounted

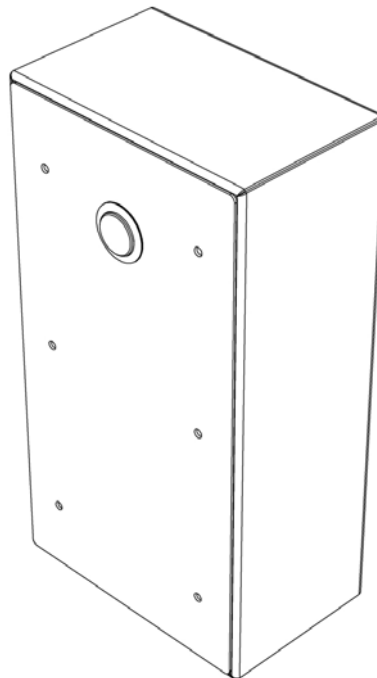
XX = MS – Manual Single Flush

= ES – Electronic Single Flush

= ED – Electronic Dual Flush

e.g.: for specification and ordering

SPPL.FD.VB.WM.MS



Features and Benefits:

- Tidy enclosure for wall mounted valve and flush pipe.
- Box has large rear access cut out for water supply pipe and flush pipe wall entry.
- Custom 45mm hole in base can be ordered for exposed downpipe
- Cover plate is secured with Torx screws. Screws can be replaced with SS rivets once installed for added security.
- Large manual push button is secure and vandal resistant.



Suitable for use where disabled access is required



Due to continuous product research and development, the information contained herein is subject to change without notification.



Valve Box

Wall Mounted

Specifications:

- Construction: Fully welded construction, polished to no 4 satin finish. 2.0mm stainless steel 304 grade.
- Water Supply: Single 20mm.
- Outlet Connection: 40mm.
- Unit Fixing: The unit is fixed to wall via 6 x M8 screws.

Models:

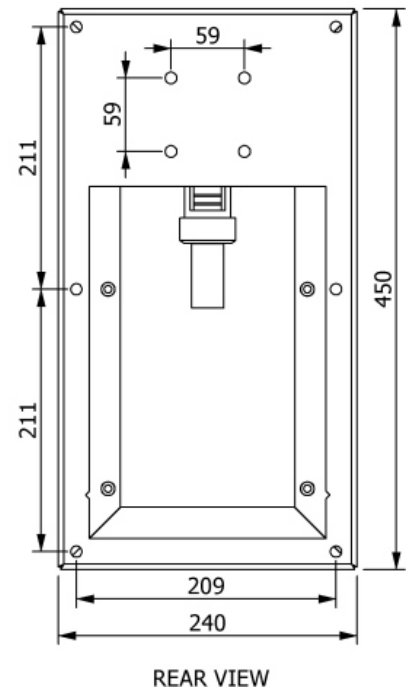
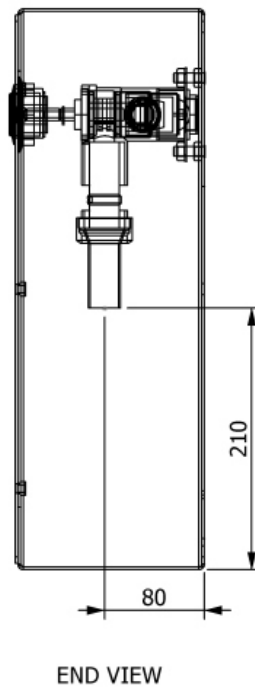
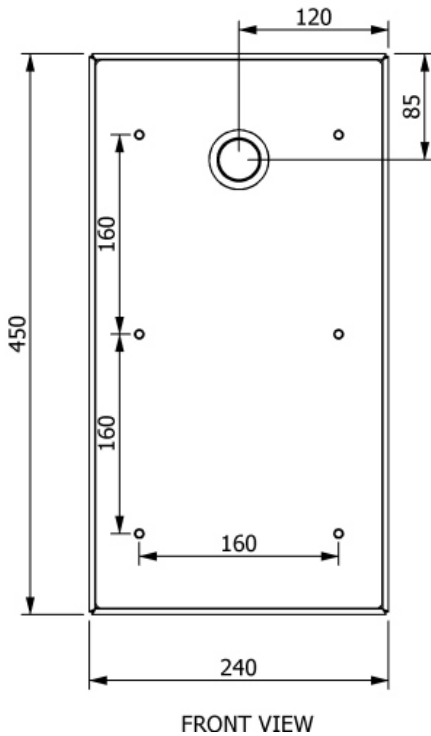
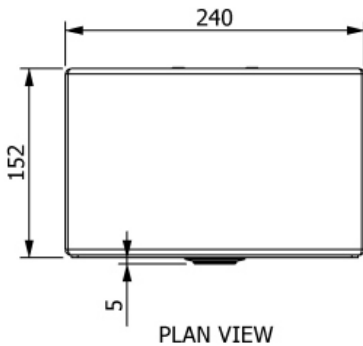
SPPL.FD.VB.WM.XX

Code explanation:

- SPPL = Standard Product Plumbing
- FD = Flushing Device
- VB = Valve Box
- WM = Wall Mounted
- XX = MS – Manual Single Flush
= ES – Electronic Single Flush
= ED – Electronic Dual Flush

e.g.: for specification and ordering

SPPL.FD. VB.WM.MS



Model No.	Length (mm)	Width (mm)	Height (mm)
SPPL.FD.VB.WM.XX	240	157	450

Due to continuous product research and development, the information contained herein is subject to change without notification.