



Stoddart's stainless steel cisterns are built to perform year after year. The hygienic outer casing is manufactured from 304 grade stainless steel for maximum durability in the most demanding of locations.

**Models:**

**SPPL.FD.CI.XX**

Code explanation:

SPPL = Standard Product Plumbing

FD = Flushing Device

CI = Cistern

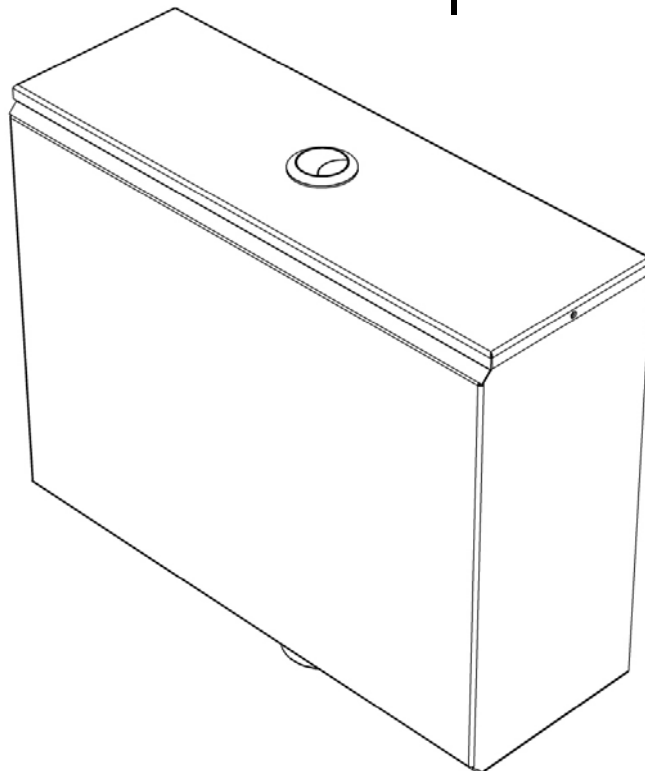
XX = PC – Pull Chain Flush

= MS – Manual Single Flush

= MD – Manual Dual Flush

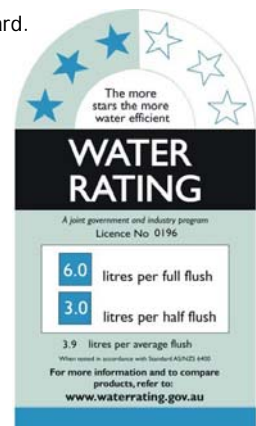
e.g.: for specification and ordering

SPPL.FD. CI.MD



**Features and Benefits:**

- Wels rated dual flush button for efficient 6L/3L dual flush.
- Lift off stainless steel lid is secured to unit.
- Vandal resistant, fully welded seamless construction is hand polished to brushed finish for easy maintenance and premium presentation.
- Unit has 50mm flush outlet and 20mm threaded PVC inlet. Right hand water inlet position is standard.



Due to continuous product research and development, the information contained herein is subject to change without notification.



**Specifications:**

- Construction: Fully welded construction, polished to no 4 satin finish. 1.2mm stainless steel 304 grade.
- Water Supply: Single 15mm (1/2" BSP).
- Outlet Connection: 50mm.
- Unit Fixing: The unit is supplied with 1.6mm stainless steel fast mount bracket

**Models:**

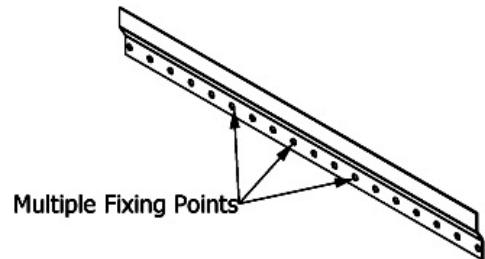
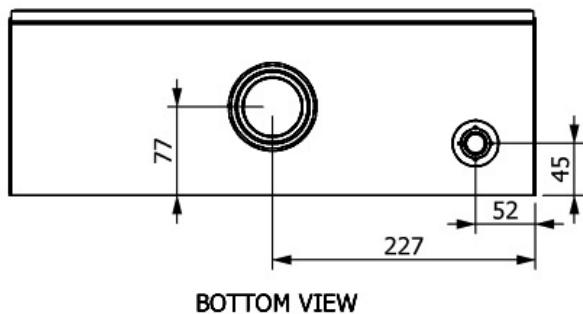
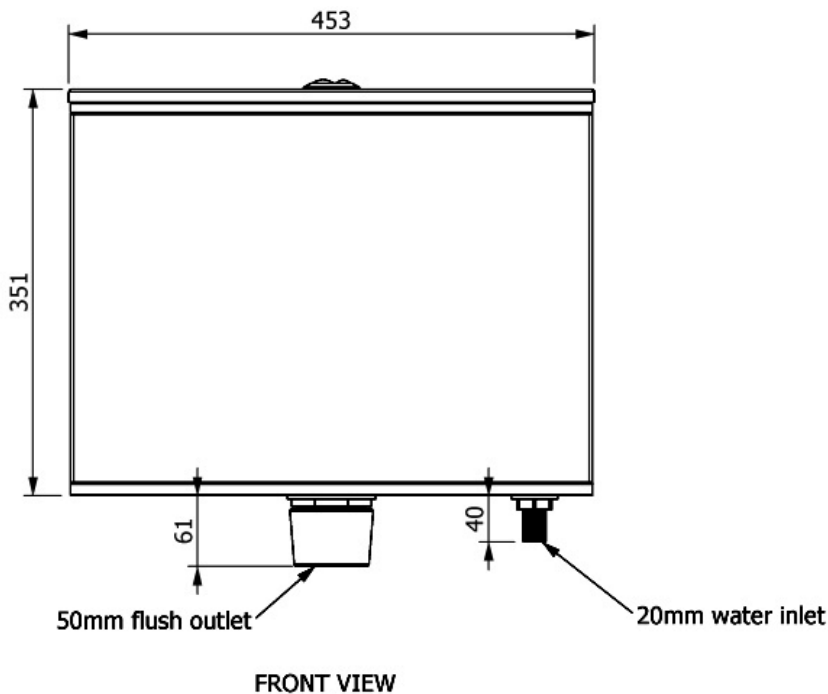
**SPPL.FD.CI.XX**

Code explanation:

- SPPL = Standard Product Plumbing  
 FD = Flushing Device  
 CI = Cistern  
 XX = PC – Pull Chain Flush  
 = MS – Manual Single Flush  
 = MD – Manual Dual Flush

e.g.: for specification and ordering

SPPL.FD. CI.MD



Model No.	Length (mm)	Width (mm)	Height (mm)
SPPL-FD-CI-XX	453	160	412

Due to continuous product research and development, the information contained herein is subject to change without notification.