



Drinking Trough S7

Splashback Holes for Bubblers

Stoddart Manufacturing's S7. Drinking Trough is a safe, stainless steel drinking trough, ready to install. Tap holes are positioned at 450mm centres and set right-of-centre for fountain trajectory to the left for easy, splash free drinking access. Can be ordered either left or right wastes. Centre wastes available at a premium.

The trough is manufactured from 1.2mm, 304 grade stainless steel for long service life and has radius corners to ensure easy maintenance and cleaning.

The S7. trough is manufactured with ease of installation in mind. Z clips secure the trough to the wall quickly and easily so the two high strength angle bracket supports can be fixed to the wall. These brackets provide strength and can be quickly secured to the wall. The trough is also available with a free standing frame, in place of the wall brackets.

Safety grates can be ordered separately. These are ideal for use as a child safety barrier and are also useful for parts washing or as a bucket sink.

Models:

SPPL.DT.S7.xx.y.zzzz

Code explanation:

SPPL = Standard Product Plumbing

DT = Drinking Trough

S7 = S7 Style

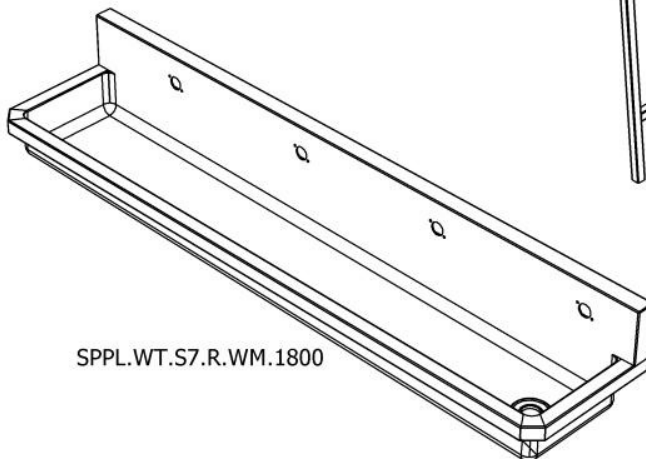
xx = WM – Wall Mounted
= FS – Free Standing

y = L – Left hand end waste
= R – Right hand end waste

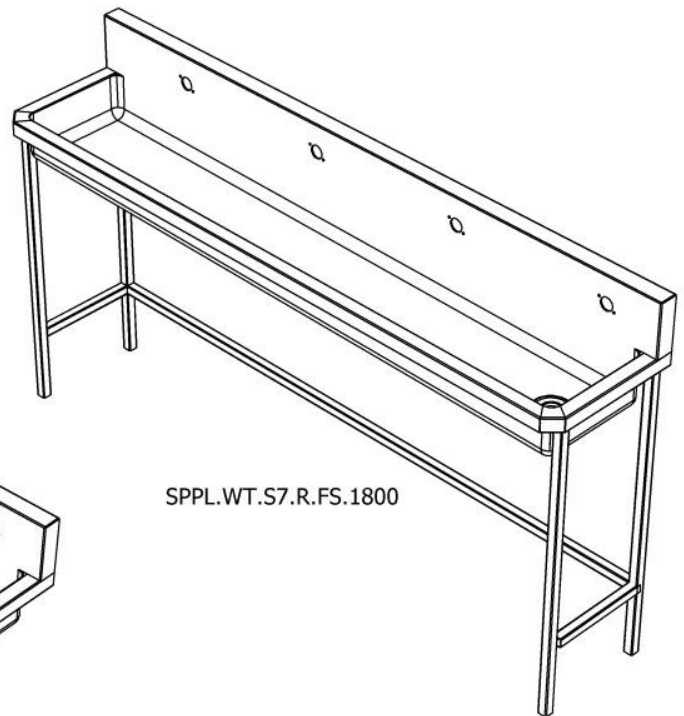
zzzz = Length of trough

e.g.: for specification and ordering

SPPL.DT.S7.FS.R.1800



SPPL.WT.S7.R.WM.1800



SPPL.WT.S7.R.FS.1800

Features and Benefits:

- Designed for schools
- Radius corners for easy cleaning, hygiene and safety.
- 1.2mm stainless steel for superior strength, service life and hygiene.
- Concealed plumbing and fixings for vandal resistance.
- 35mm tap holes are positioned at 450mm centres



Due to continuous product research and development, the information contained herein is subject to change without notification.



Drinking Trough S7

Splashback Holes for Bubblers

Specifications:

- Construction:** Fully welded seamless 304 grade stainless steel construction, no 4 brushed finish.
- Waste Connection:** 50mm PVC, supplied.
- Tap Locations:** 35mm tap holes are punched in the splashback at 450mm centres set right of centre.
- Unit Fixing:** The unit is supplied with stainless steel wall mounting brackets, which have 11mm diameter fixing holes, and stainless steel splashback Z clips. The fountain is fixed to the bracket with 6mm stainless steel fixings.

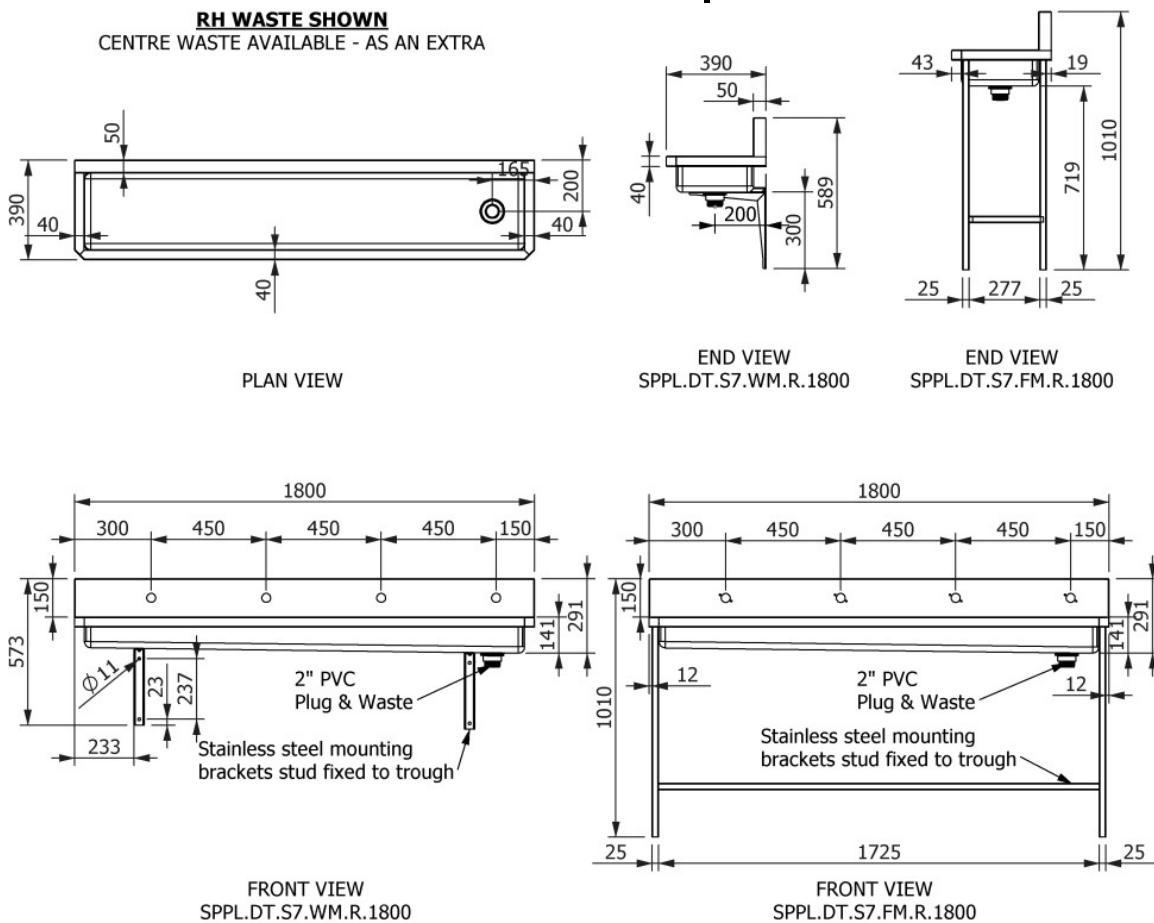
Models:

SPPL.DT.S7..xx.y.zzzz

Code explanation:

- SPPL = Standard Product Plumbing
 - DT = Drinking Trough
 - S7 = S7 Style
 - xx = WM – Wall Mounted
= FS – Free Standing
 - y = L – Left hand end waste
= R – Right hand end waste
 - zzzz = Length of trough
- e.g.: for specification and ordering

SPPL.DT.S7.FS.R.1800



Model No.	Length (mm)	No. of Tap Holes	No. of Legs (FS only)
SPPL.DT.S7.xx.y.0900	900	2	4
SPPL.DT.S7.xx.y.1200	1200	2	4
SPPL.DT.S7.xx.y.1500	1500	3	4
SPPL.DT.S7.xx.y.1800	1800	4	4
SPPL.DT.S7.xx.y.2000	2000	4	4
SPPL.DT.S7.xx.y.2400	2400	5	6
SPPL.DT.S7.xx.y.2700	2700	6	6
SPPL.DT.S7.xx.y.3000	3000	6	6
SPPL.DT.S7.xx.y.3300	3300	7	6
SPPL.DT.S7.xx.y.3600	3600	8	6
SPPL.DT.S7.xx.y.4000	4000	9	6

Custom units available at a premium.

Due to continuous product research and development, the information contained herein is subject to change without notification.