



Drinking Trough S7

With Splashback Mounted Bubbler Taps

Stoddart Manufacturing's S7 Drinking Trough is a safe, stainless steel drinking trough complete with Ezy-Drink horizontal drink taps, ready to install. Tap holes are positioned at 450mm centres and set right-of-centre for fountain trajectory to the left for easy, splash free drinking access. Can be ordered with either left or right waste and push button, lever action or cam action taps. (Centre wastes available at a premium).

The trough is manufactured from 304 grade stainless steel for long service life and has radius corners to ensure easy maintenance and cleaning.

The S7 shape is manufactured with ease of installation in mind.

Models:

SPPL.DT.S7.xx.y.z.IIII

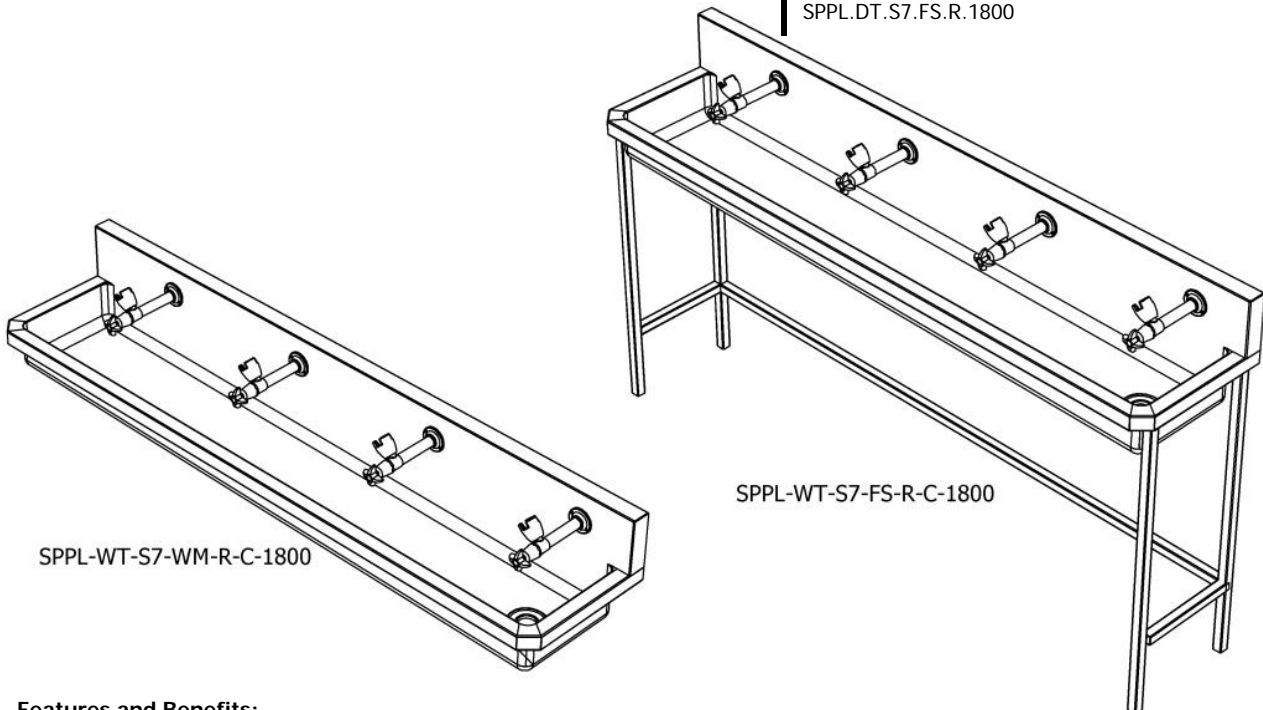
Code explanation:

SPPL	= Standard Product Plumbing
DT	= Drinking Trough
S7	= S7 Style
xx	= WM – Wall Mounted = FS – Free Standing
y	= L – Left hand end waste = R – Right hand end waste
z	= P – Push button taps = L – Lever action taps = C – Cam action taps

III = Length of trough

e.g.: for specification and ordering

SPPL.DT.S7.FS.R.1800



Features and Benefits:

- Designed for schools and sports clubs
- Radius corners for easy cleaning, hygiene and safety.
- 1.2mm stainless steel for superior strength, service life and hygiene.
- Concealed plumbing and fixings for vandal resistance.
- Galvin taps are vandal resistant, heavy duty chrome finished and approved to WaterMark Lic. W034.
- Bubblers are fitted with unique mouth guards to protect teeth from damage.
- Environmentally conscious on/off action and push button timed flow save water.
- Water height control valve provides constant water flow regardless of pressure.



Due to continuous product research and development, the information contained herein is subject to change without notification.



Drinking Trough S7

Splashback Mounted Bubbler Taps

Specifications:

Construction: Fully welded seamless 304 grade stainless steel construction, no 4 brushed finish.

Water Supply: 1/2" BSP

Waste Connection: 50mm PVC, supplied.

Tap Locations: Tap holes are punched in the splashback at 450mm centres set right of centre.

Unit Fixing: The unit is supplied with stainless steel wall mounting brackets, which have 11mm diameter fixing holes, and stainless steel splashback Z clips. The fountain is fixed to the bracket with 6mm stainless steel fixings.

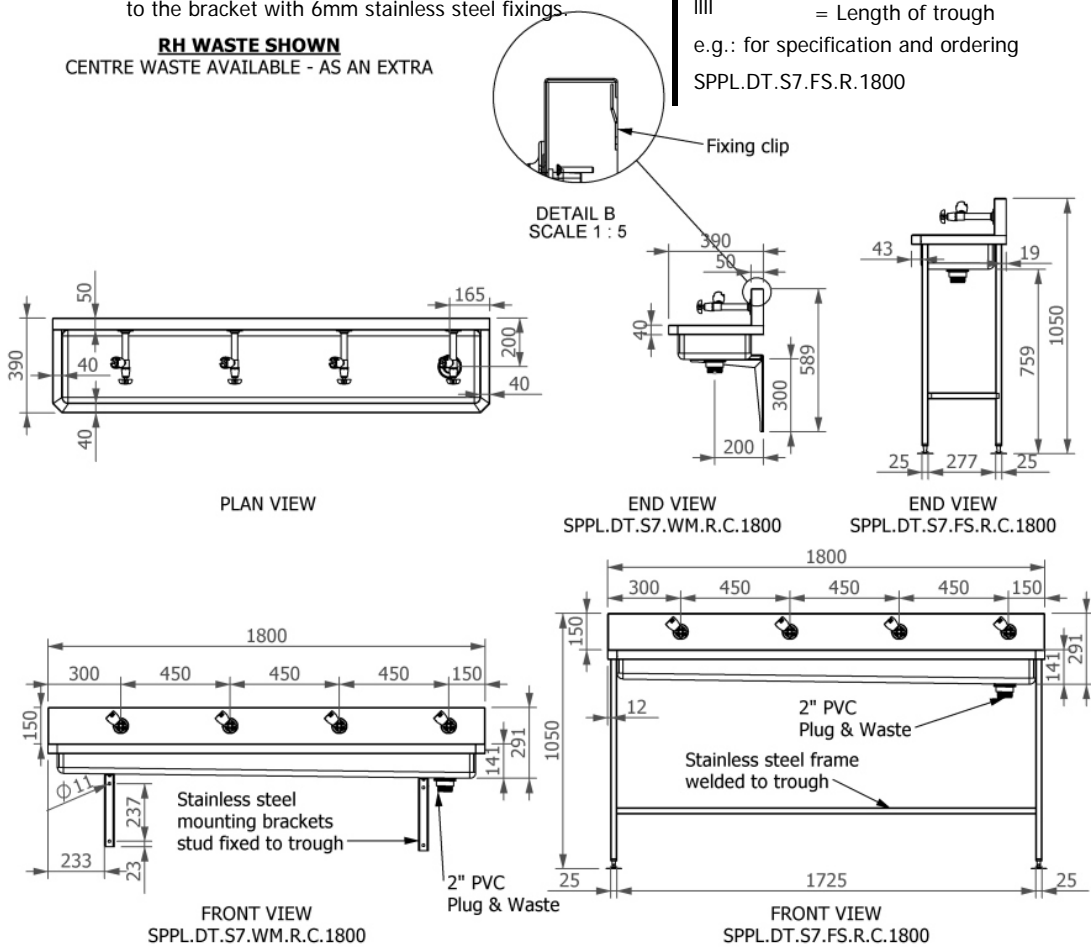
RH WASTE SHOWN
CENTRE WASTE AVAILABLE - AS AN EXTRA

Models:

SPPL.DT.S7..xx.y.z.IIII

Code explanation:

- SPPL = Standard Product Plumbing
 - DT = Drinking Trough
 - S7 = S7 Style
 - xx = WM – Wall Mounted
= FS – Free Standing
 - y = L – Left hand end waste
= R – Right hand end waste
 - z = P – Push button taps
= L – Lever action taps
= C – Cam action taps
 - IIII = Length of trough
- e.g.: for specification and ordering
SPPL.DT.S7.FS.R.1800



Model No.	Length (mm)	No. of Bubblers	No. of Legs (FS only)	No. of brackets (WM only)
SPPL.DT.S7.xx.y.z.0900	900	2	4	2
SPPL.DT.S7.xx.y.z.1200	1200	2	4	2
SPPL.DT.S7.xx.y.z.1500	1500	3	4	2
SPPL.DT.S7.xx.y.z.1800	1800	4	4	2
SPPL.DT.S7.xx.y.z.2000	2000	4	4	2
SPPL.DT.S7.xx.y.z.2400	2400	5	6	3
SPPL.DT.S7.xx.y.z.2700	2700	6	6	3
SPPL.DT.S7.xx.y.z.3000	3000	6	6	3
SPPL.DT.S7.xx.y.z.3300	3300	7	6	4
SPPL.DT.S7.xx.y.z.3600	3600	8	6	4
SPPL.DT.S7.xx.y.z.4000	4000	9	6	4

Custom units available at a premium.

Due to continuous product research and development, the information contained herein is subject to change without notification.