

# Drinking Fountain Metro

Wall Mounted

Drinking Fountains for Schools, Shopping malls and outdoor areas made by Stoddart are branded Metro. Metro Drinking Fountains provide clean fresh drinking water through a safe hygienic drinking bubbler.

The Metro Wall-mounted Drinking Fountain allows clear access for wheelchair disabled users when mounted at the correct height.

It is robust, vandal resistant and easy to install, maintain and use.

**Models:**

**SPPL.DF.M.WM**

Code explanation:

SPPL = Standard Product Plumbing

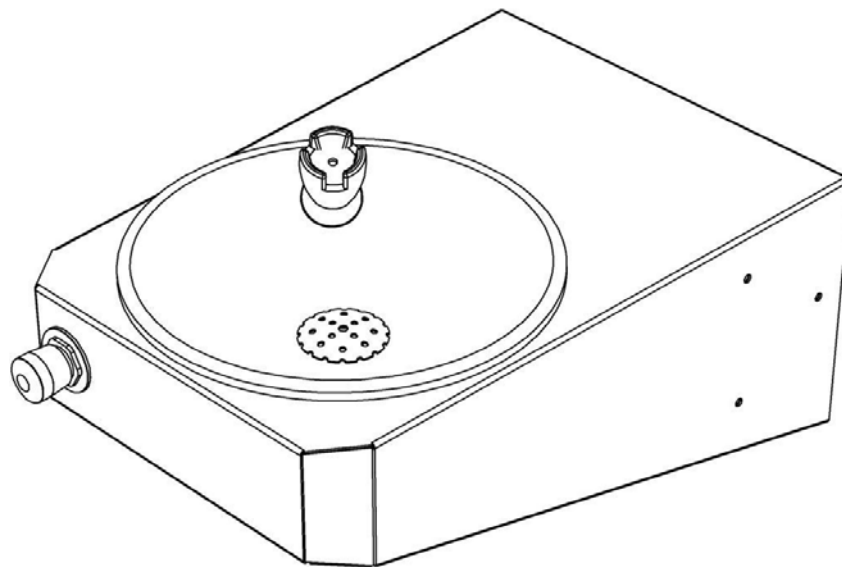
DF = Drinking Fountain

M = Metro

WM = Wall mounted

e.g.: for specification and ordering

SPPL.DF.M.WM



**Features and Benefits:**

- Easy-Push buttons & valves supply a regulated flow of fresh clean drinking water through the safe & hygienic drinking bubblers to make drinking access easy without water wastage.
- Large round collection bowl prevents excess water from forming mud puddles on the ground.
- Excess water is drained & can be connected to a rubble pit, a nearby garden bed or, with the addition of a trap, it can be connected to grey water.
- Wall Mounted Drinking Fountain can be easily mounted to most wall surfaces at heights suitable to the application.
- Access for wheel chair disabled users is provided as per the requirements advised in AS1428.2
- For AS1428.1 compliance, refer to SPPL.DF.M2.WM.

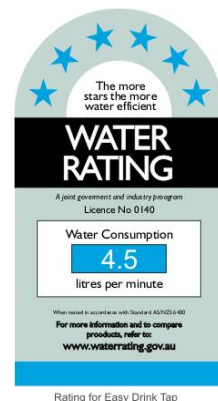


Suitable for use where disabled access is required



**WaterMark**  
AS/NZS 3718 Lic. WMKA0034  
SAI Global  
For Easy Drink Tap

Tap ware License



Due to continuous product research and development, the information contained herein is subject to change without notification.



# Drinking Fountain Metro

Wall Mounted

**Specifications:**

- Construction: Stainless Steel construction, no 4 satin finish. Unit is pre plumbed with button and bubbler.
- Water Supply: Single 15mm (1/2" BSP).
- Waste Connection: 40mm waste connection. Excess water can be drained to a rubble pit, a nearby garden, or, with the addition of a trap, it can be connected to grey water.
- Unit Fixing: The unit is supplied with a wall mounting bracket with fixing holes.
- Disabled Access: Fixing height for the Disable Access Code AS 1428.2 is 700mm from the top of unit to finished floor level.

**Models:**

**SPPL.DF.M.WM**

Code explanation:

SPPL = Standard Product Plumbing

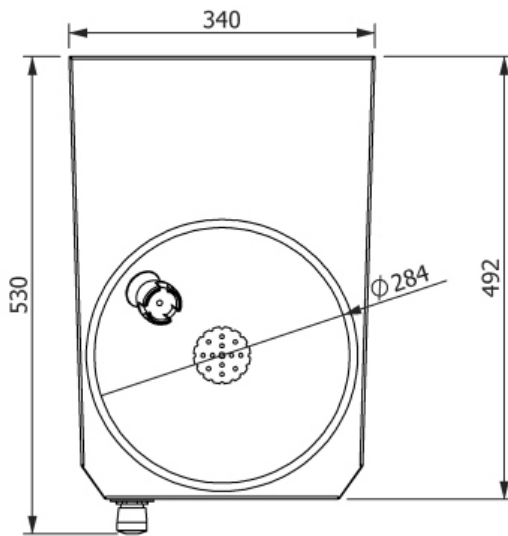
DF = Drinking Fountain

M = Metro

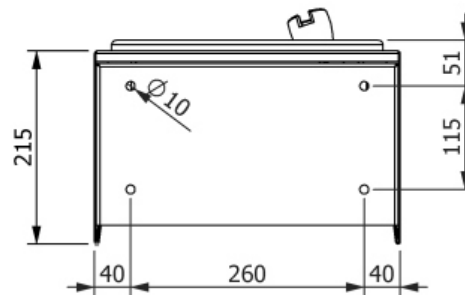
WM = Wall mounted

e.g.: for specification and ordering

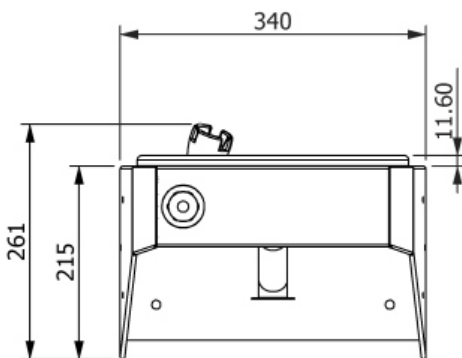
SPPL.DF.M.WM



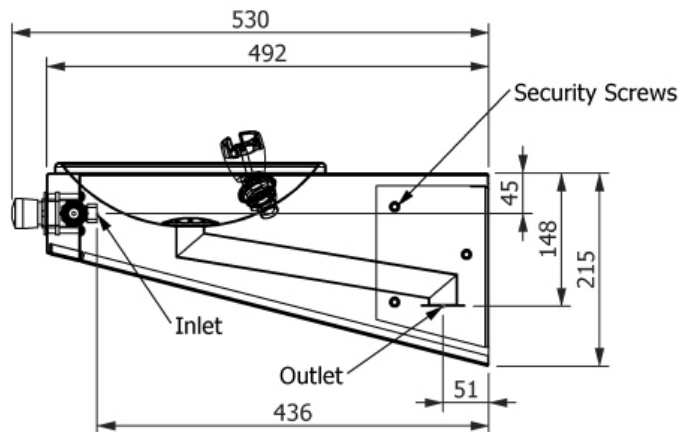
PLAN VIEW



REAR VIEW



FRONT VIEW



END VIEW

Model No.	Length (mm)	Width (mm)	Height (mm)
SPPL.DF.M.WM	492 (511 with button)	340	215 (272 with bubbler)

Due to continuous product research and development, the information contained herein is subject to change without notification.