



## Floor Mounted Cleaners Sink

The Floor Mounted Cleaner's Sink from Stoddart Manufacturing offers low grate height to minimize heavy lifting for cleaners.

Stoddart's floor mounted cleaner's sink has a strong 1.5mm stainless steel shroud that allows the unit to be secured to most floors where an in-floor waste is available. Installation simple and straightforward.

The bowl comes complete with 90mm basket waste for catching solids and a strong hinged grate for supporting mop buckets.

### Models:

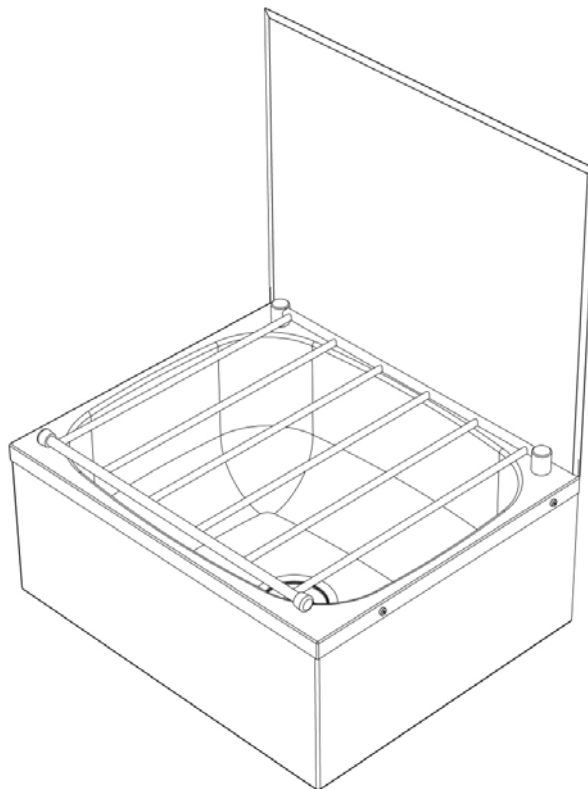
**SPPL.CS.05.450**

Code explanation:

SPPL = Standard Product Plumbing  
CS = Cleaner's sink  
05 = 05 – Durable 1.5mm stainless steel floor mounted cleaner sink.  
450 = 450mm stainless steel splashback

e.g.: for specification and ordering

SPPL.CS.05.450



### Features and Benefits:

- New easy mount 1.5mm durable and hard wearing stainless steel shroud. Secure mounting on to most floor wastes.
- Welded steel grate has six bars for stable support of buckets while filling and draining.
- Highly polished, 44L capacity bowl is 235mm deep to reduce splashing.
- Strong, safe hinges allow grate to be lifted for access to bowl.
- Sound suppression pad under base of bowl reduces noise.
- Rolled edges for operator and installer safety.
- 90mm waste comes with a waste basket for catching solids.



Due to continuous product research and development, the information contained herein is subject to change without notification.



# Floor Mounted Cleaners Sink

**Specifications:**

Construction: Shroud: 1.5mm 304 grade stainless steel construction, no 4 satin finish.  
 Bowl: 0.9mm deep drawn polished 304 grade bowl  
 Splashback: 0.9mm 304 grade no 4 satin finish.

Waste Connection: 90mm basket waste with 50mm waste connection.

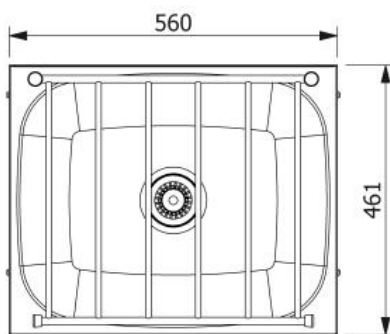
Unit Fixing: Unit is supplied with heavy duty, easy mount shroud  
 Splashback fixed to wall with commercial grade double sided tape.

**Models:**

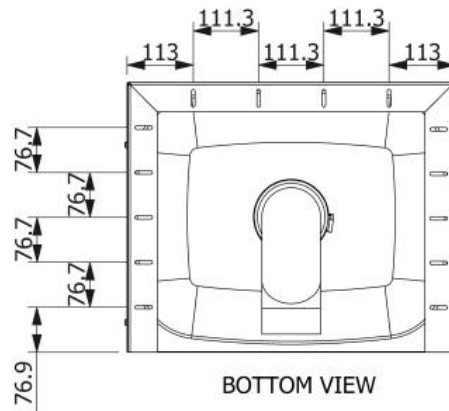
**SPPL.CS.xx.450**

Code explanation:

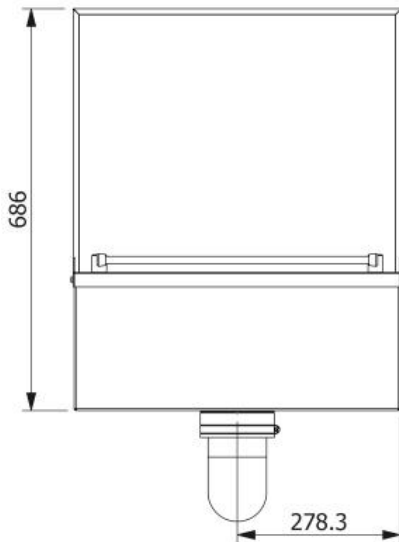
SPPL = Standard Product Plumbing  
 CS = Cleaner's sink  
 xx = 05 – Durable 1.5mm stainless steel floor mounted cleaner sink.  
 450 = 450mm stainless steel splashback  
 e.g.: for specification and ordering  
 SPPL.CS.05.450



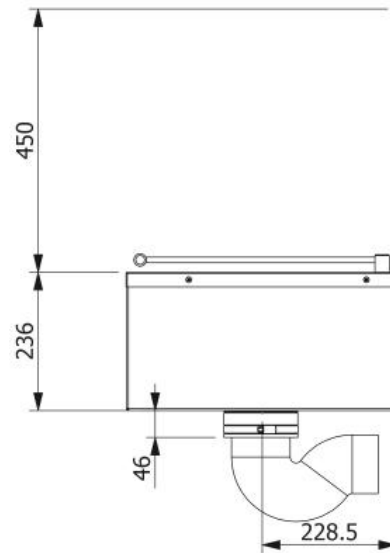
PLAN VIEW



BOTTOM VIEW



FRONT VIEW



SIDE VIEW

Model No.	Length (mm)	Width (mm)	Height (mm)
SPPL.CS.05.450	461	560	236 (686 with splashback)

Due to continuous product research and development, the information contained herein is subject to change without notification.