



Janitorial Cleaners Sink

The Janitorial Cleaners Sink from Stoddart Manufacturing is the safe cleaning solution for all commercial and school buildings.

The Janitorial sink is a combination of a hand wash basin and cleaner sink. It is made from stainless steel and includes a strong steel wall bracket for easy mounting.

The Janitorial Cleaners Sink Unit has a Galvin dual lever tap and a strong hinged grate for supporting mop buckets. The unit has a 90mm basket waste on the cleaners sink bowl for catching solids and a 40mm waste on the hand-basin.

Models:

SPPL.CS.04 Janitor

Code explanation:

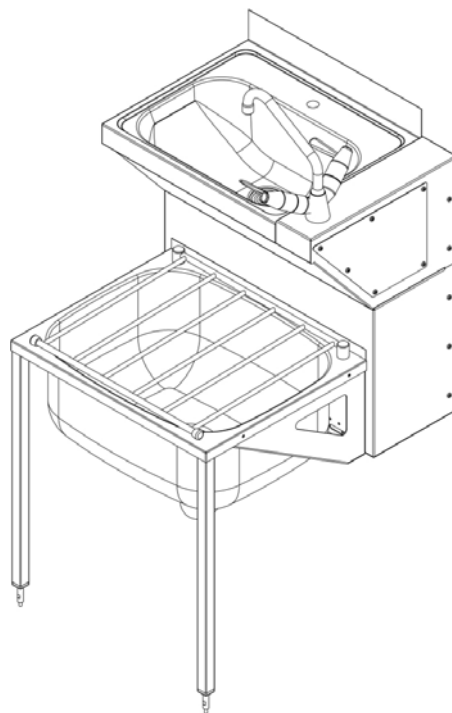
SPPL = Standard Product Plumbing

CS = Cleaner's sink

04 = 04 – Janitorial Sink

e.g.: for specification and ordering

SPPL.CS.04 Janitor



Features and Benefits:

- New easy mount 1.5mm durable and hard wearing stainless steel shroud. Secure mounting on to most floor wastes.
- Welded steel grate has six bars for stable support of buckets while filling and draining.
- Highly polished, 44L capacity bowl is 235mm deep to reduce splashing.
- Strong, safe hinges allow grate to be lifted for access to bowl.
- Sound suppression pad under base of bowl reduces noise.
- Rolled edges for operator and installer safety.
- 90mm waste comes with a waste basket for catching solids.



Due to continuous product research and development, the information contained herein is subject to change without notification.



Janitorial Cleaners Sink

Specifications:

Construction: Body is made from 1.5mm 304 grade stainless steel construction, no 4 satin finish.

Waste Connection: Basin = 40mm with pvc waste and HEP Vo trap.
Sink = 90mm with Basket waste (50mm trap and waste pipe connections are not included).

Unit Fixing: Unit is supplied with heavy duty, easy mount Wall Bracket. Cleaners Sink comes with optional front legs for applications where wall strength is insufficient.

Optional Splashback fixed to wall with commercial grade double sided tape.& silicon sealant. Fit splashback over upturned tile edge at rear of basin.

Models:

SPPL.CS.04.Janitor

Code explanation:

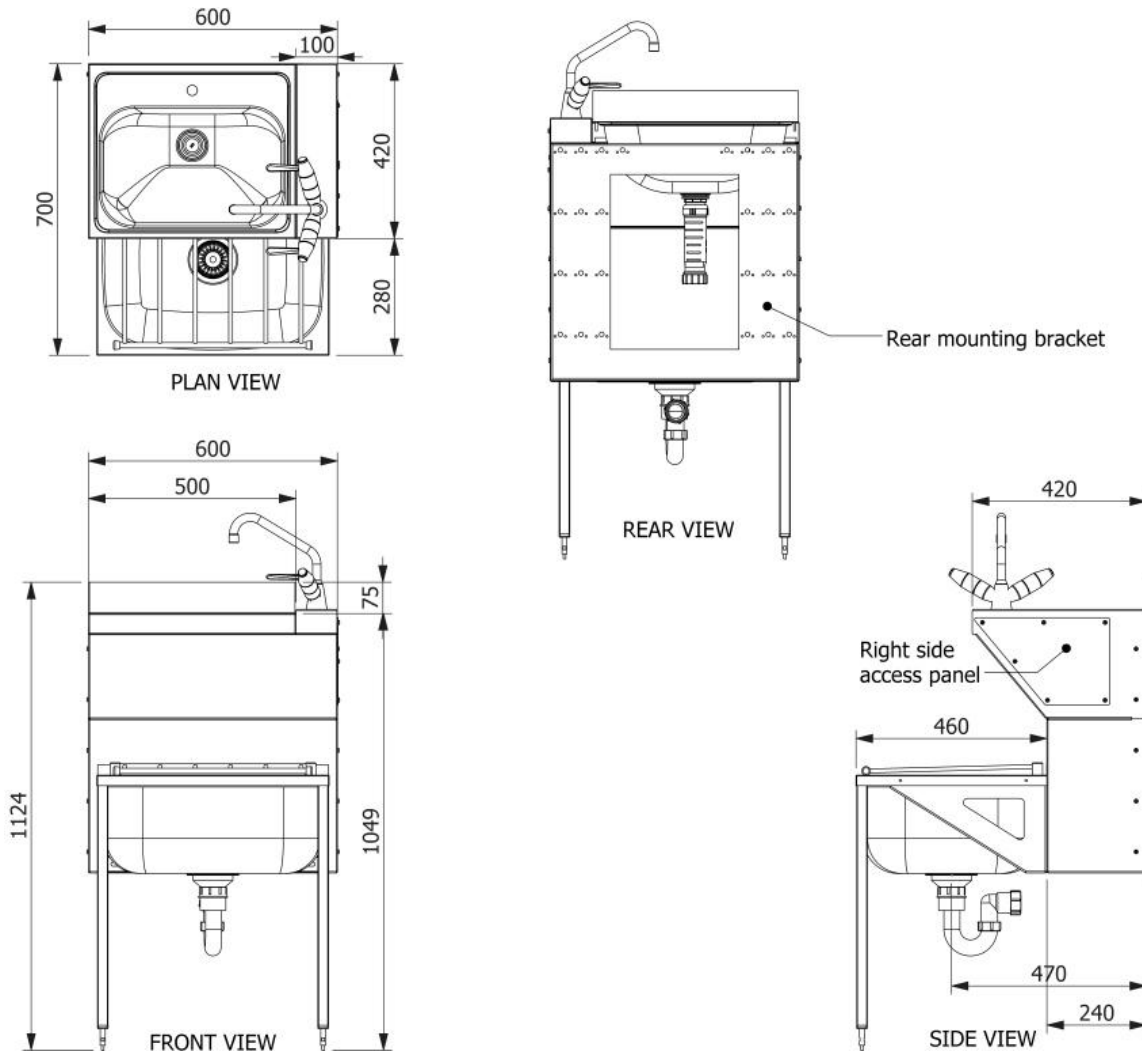
SPPL = Standard Product Plumbing

CS = Cleaner's sink

04 = 04 – Janitorial Cleaner Sink

e.g.: for specification and ordering

SPPL.CS.05.450



Due to continuous product research and development, the information contained herein is subject to change without notification.