



Cleaner Cabinet

Type 1

Cleaner's Cabinets from Stoddart Manufacturing are a tidy solution for keeping the cleaners sink, mop, buckets and chemicals stored in a neat tidy cabinet.

The stainless steel design of this Cleaners cupboard ensures cleanliness and hygiene is maintained.

Models:

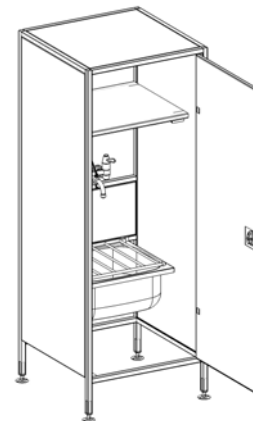
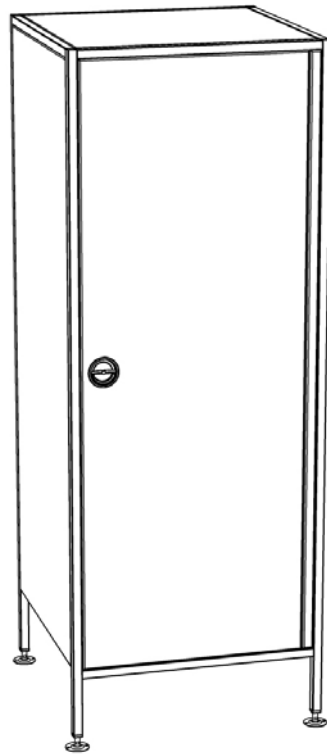
SPPL.CA.CC1.x

Code explanation:

SPPL = Standard Product Plumbing
CA = Cabinet
CC1 Cleaners Cabinet Type 1
x L=Left corner
R=Right corner
FS=Freestanding
WM=Wall mounted

e.g.: for specification and ordering

SPPL.CA.CC1.FS



Cleaners cabinet looks tidy and encloses Wall mount taps and cleaners sink and comes with high over-shelf and door mounted mop/broom holder.

Optional grate under sink and lockable door catch are also available.

Unit can also be offered with no legs for wall mount on structurally sound walls for easier floor cleaning.

Features and Benefits:

- Internal walls have no ledges to eliminate dirt accumulation issues.
- Includes Cleaners sink with hinged grate and 90mm basket waste.
- Fits neatly to walls with existing plumbing. Wall mounted Tap Set is not included
- Sturdy door has a mop/broom holder inside door.
- Large Shelf for chemicals & Detergents.
- Quarter turn door latch can have optional Key lock added.



Due to continuous product research and development, the information contained herein is subject to change without notification.



Cleaner Cabinet

Type 1

Specifications:

- Construction: 1.2mm 304 grade stainless steel construction, no 4 satin finish.
- Waste Connection: 90mm basket waste for 50mm waste connection.
- Unit Fixing: Unit is supplied with wall mounting bracket with 10mm fixing holes. Basin is fixed with 6mm fixings.

Models:

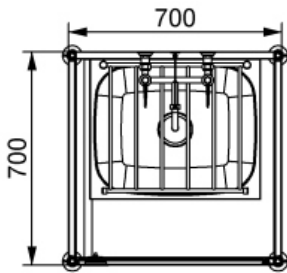
SPPL.CA.CC1.x

Code explanation:

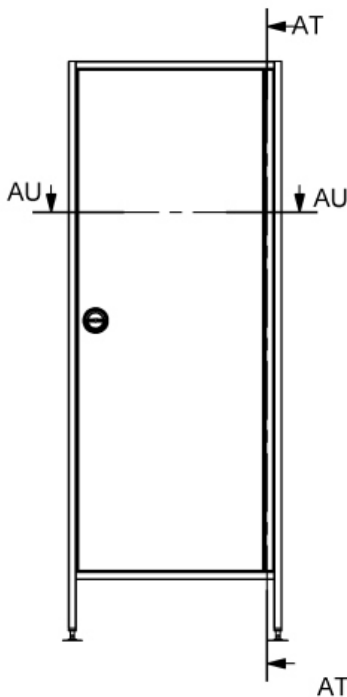
- SPPL = Standard Product Plumbing
- CA = Cabinet
- CC1 Cleaners Cabinet Type 1
- x L=Left corner
R=Right corner
FS=Freestanding
WM=Wall mounted

e.g.: for specification and ordering

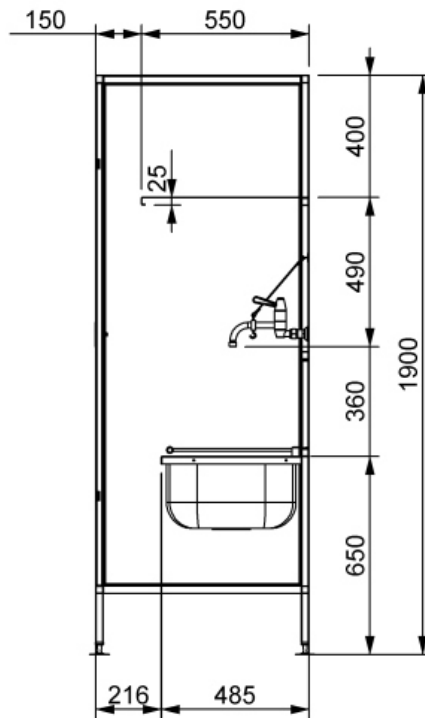
SPPL.CA.CC.1



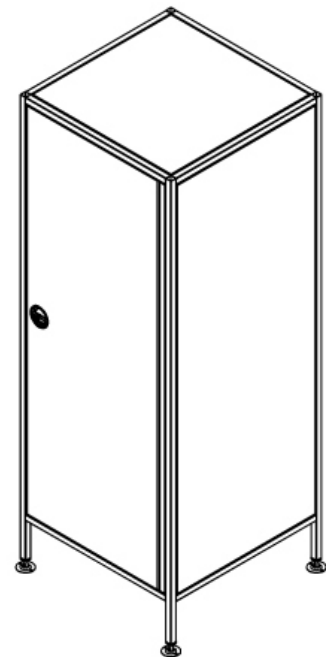
SECTION AU-AU



FRONT VIEW



SECTION AT-AT



ISOMETRIC VIEW

Model No.	Length (mm)	Width (mm)	Height (mm)
SPPL.CA.CC.1	700	700	1900

Due to continuous product research and development, the information contained herein is subject to change without notification.