



Baby Bath

Baths for babies are designed to assist in safely washing young babies hygienically. The Baby Bath from Stoddart has a large inclined side to support the baby's back & help to keep its head out of the water while washing the body.

The Baby Bath Drops into a cut out in a bench to provide a flush fitting hygienic was area.

Designed for safe, hygienic bathing of babies and infants, the Baby Bath from Stoddart Manufacturing, is ideal for use in hospitals, childcare centres, shopping centres, caravan parks and any public facilities.

Stoddart can also custom make larger baths for toddlers & handicapped children and baths for welding into Stainless Steel Bench tops

Models:

SPPL.BB.xx.yyy

Code explanation:

SPPL = Standard Product Plumbing

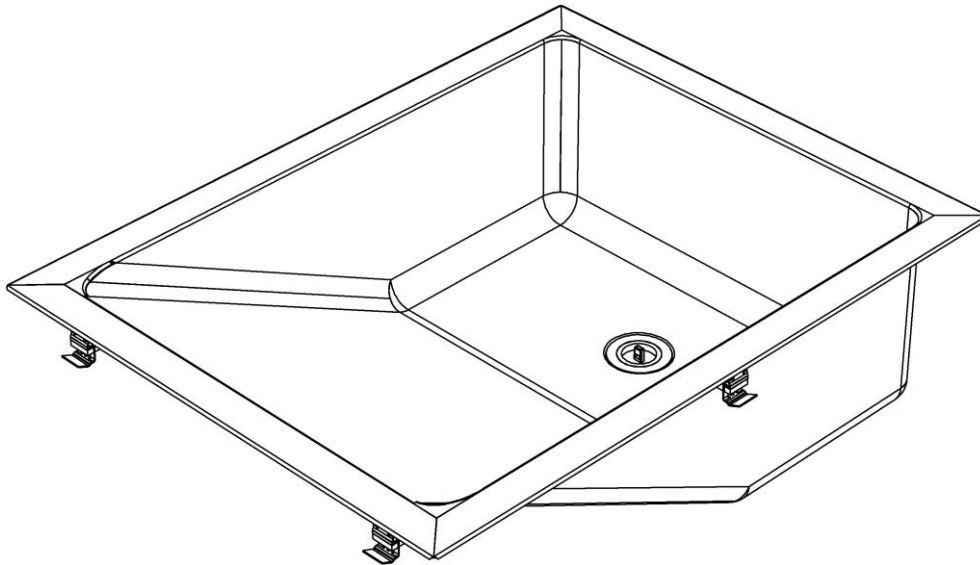
BB = Baby Bath

xx DI = Drop in
WI = Weld in

yyy 1TH = 1 tap hole in extended hob
3TH = 3 tap hole in extended hob

e.g.: for specification and ordering

SPPL.BB.DI



Features and Benefits:

- All edges are rolled under to remove risk of injury.
- Inclined base provides support for infants.
- Designed with 40mm waste for Australian safety standards reducing vortex formation and unwanted noise.
- 304 stainless steel with no 4 brushed finish provides a easy clean look that will provide many years of trouble free service.
- Variations can include extended rear hob for mounting optional sink mixer tap or basin tap sets.



Due to continuous product research and development, the information contained herein is subject to change without notification.



Baby Bath

Drop In

Specifications:

- Construction: Fully welded seamless construction. 1.2mm 304 grade stainless steel no 4 brushed finish.
- Waste Connection: 40mm PVC waste and plug supplied.
- Unit fixing: Supplied with bench mounting fixing clips.

Models:

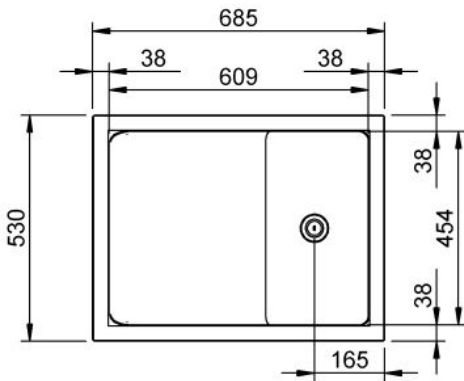
SPPL.BB.xx.yyy

Code explanation:

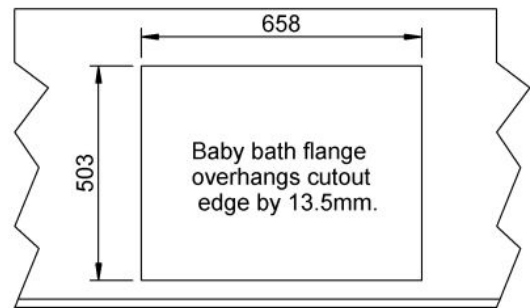
- SPPL = Standard Product Plumbing
- BB = Baby Bath
- xx DI = Drop in
WI = Weld in
- yyy 1TH = 1 tap hole in extended hob
3TH = 3 tap hole in extended hob

e.g.: for specification and ordering

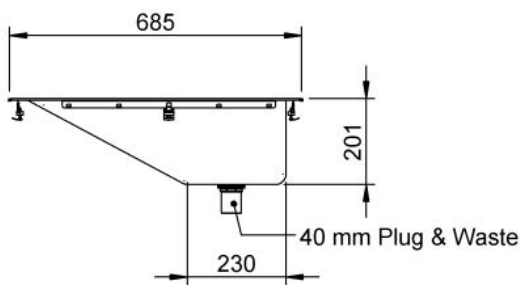
SPPL.BB.DI



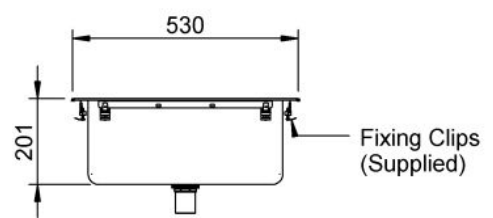
PLAN VIEW



BENCTOP CUTOUT SIZE



FRONT VIEW



END VIEW

Model No.	Length (mm)	Width (mm)	Height (mm)
SPPL.BB.DI	530	685	201

Due to continuous product research and development, the information contained herein is subject to change without notification.