



Floor Trough – Rolled Edge

Straight length, square corners and centre waste

Rolled Edge Floor Troughs from Stoddart Manufacturing are perfect for collecting run off from shower areas.

The troughs are designed for ease of installation in the floor during construction.

They are designed to provide function and good looks for an economical price. The trough can be matched with a variety of grates, The standard grate is a Type 1, Class A stainless steel wedge wire design with slip resistance and aperture sizes for protecting high heels. Floor troughs available in a range of standard lengths (600mm to 3000mm in 300mm increments) and widths (60mm and 100mm)

The troughs meet Australian Standards and are made in Australia. The Floor Trough range consists of straight troughs, U shape troughs, L shape troughs and T shape troughs. These come standard with 50mm waste to fit to a 50mm PVC waste pipe.

Models:

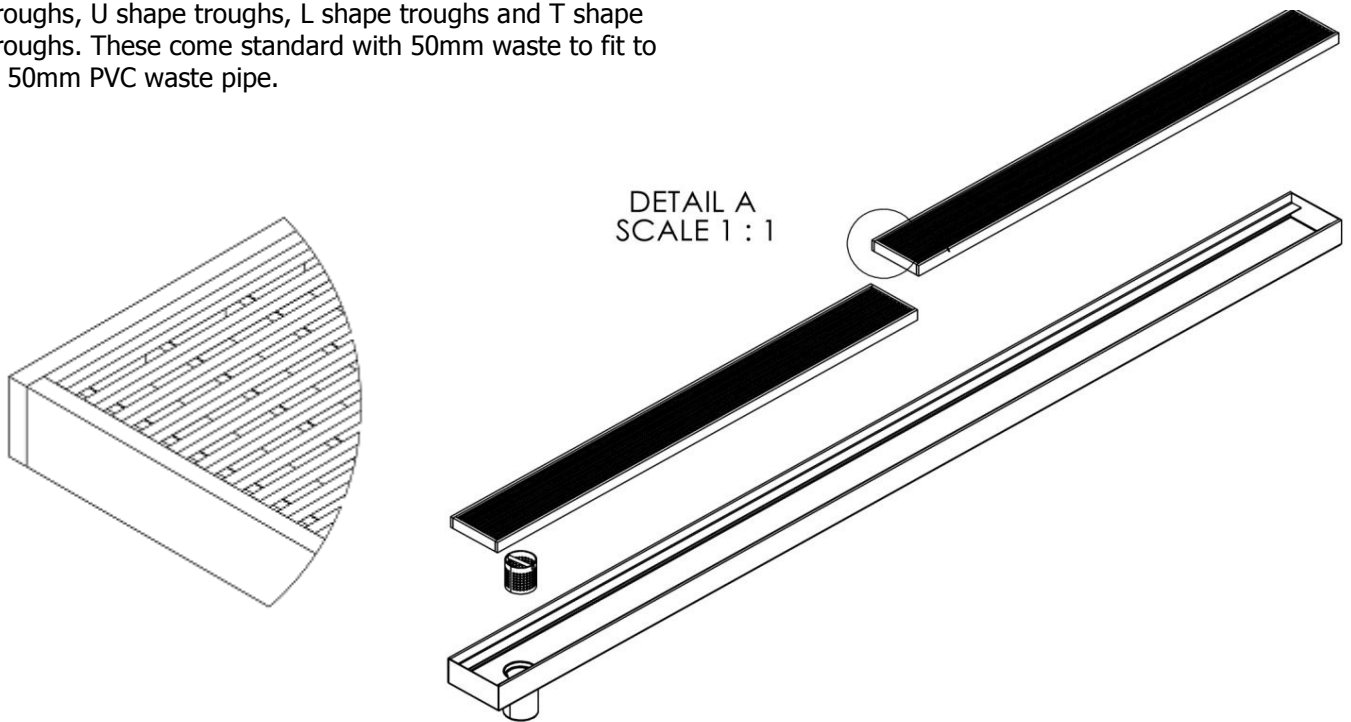
SPFT.SR5C.1.XXX.YYYY

Code explanation:

SPFT = Standard Product Floor Trough
SR5C = Standard floor trough
Rolled edge and square corners
50mm outlet
Centre waste
1 = Type 1 grate
XXX = Width of grate
YYYY = Length of grate

e.g.: for specification and ordering

SPFT.SR5C.1.200.1800



Features and Benefits:

- Cost efficient solution for Class A or B application (not suitable for Class C or D).
- Constructed from 1.2mm 304 grade stainless steel, fully welded and polished to no 4 finish.
- Small aperture non-slip high strength grating for heavy foot and trolley traffic.
- 50mm diameter outlet for connection to standard drainage pipe.
- Standard flat tray. Fall to waste is optional for longer trays.

Due to continuous product research and development, the information contained herein is subject to change without notification.



Floor Trough – Rolled Edge

Straight length, square corners and centre waste

Specifications:

Construction: 304 grade stainless steel construction.
Grate – 4mm wedge wire, 5mm spacing, 12mm x 3mm support bars

Unit fixing: Unit can be set in concrete floor or anchored with screws.

Models:

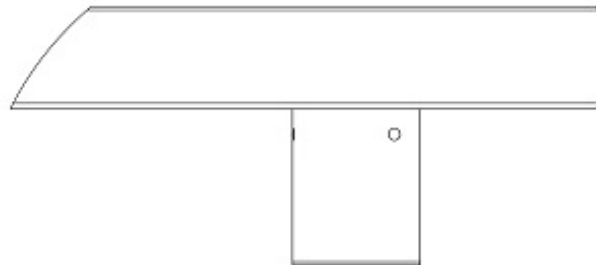
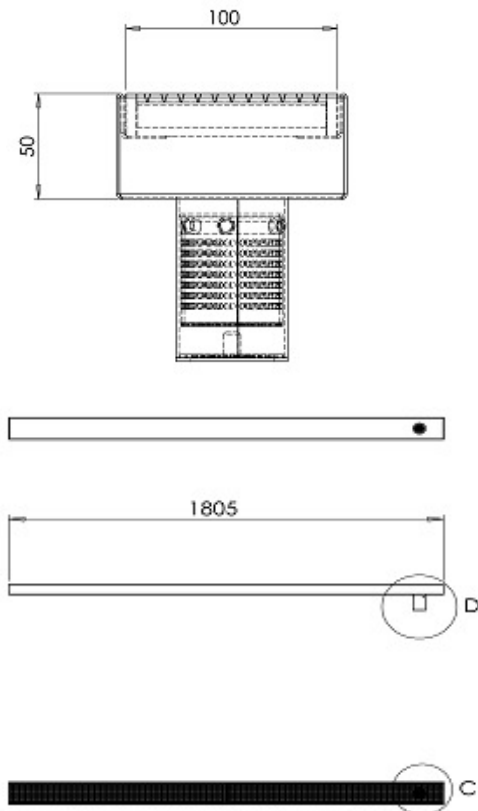
SPFT.SR5C.1.XXX.YYYY

Code explanation:

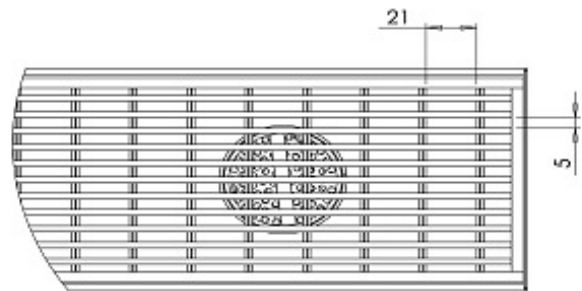
SPFT = Standard Product Floor Trough
SR5C = Standard floor trough
Rolled edge and square corners
50mm outlet
Centre waste
1 = Type 1 grate
XXX = Width of grate
YYYY = Length of grate

e.g.: for specification and ordering

SPFT.SR5C.1.200.1800



DETAIL D



DETAIL C

Total Grate Length	Grate Combination	Overall Trough Length	O/A Shallow End Depth	O/A Depth Outlet End
600mm	1 x 600	646mm	62mm	65mm
900mm	1 x 900	946mm	62mm	66.5mm
1200mm	1 x 1200	1246mm	62mm	68mm
1500mm	1 x 600, 1 x 900	1546mm	62mm	69.5mm
1800mm	2 x 900	1846mm	62mm	71mm
2100mm	1 x 900, 1 x 1200	2146mm	62mm	72.5mm
2400mm	2 x 1200	2446mm	62mm	74mm
2700mm	3 x 900	2746mm	62mm	75.5mm
3000mm	2 x 900, 1 x 1200	3046mm	62mm	77mm
3300mm	1 x 900, 2 x 1200	3346mm	62mm	78.5mm
3600mm	3 x 1200	3646mm	62mm	80mm
3900mm	3 x 900, 1 x 1200	3946mm	62mm	81.5mm

Due to continuous product research and development, the information contained herein is subject to change without notification.