



Floor Waste units from Stoddart Manufacturing are the ideal for keeping commercial kitchen floors clean. These units provide attractive appearance with large clear openings to avoid plugging and blockages.

Models:

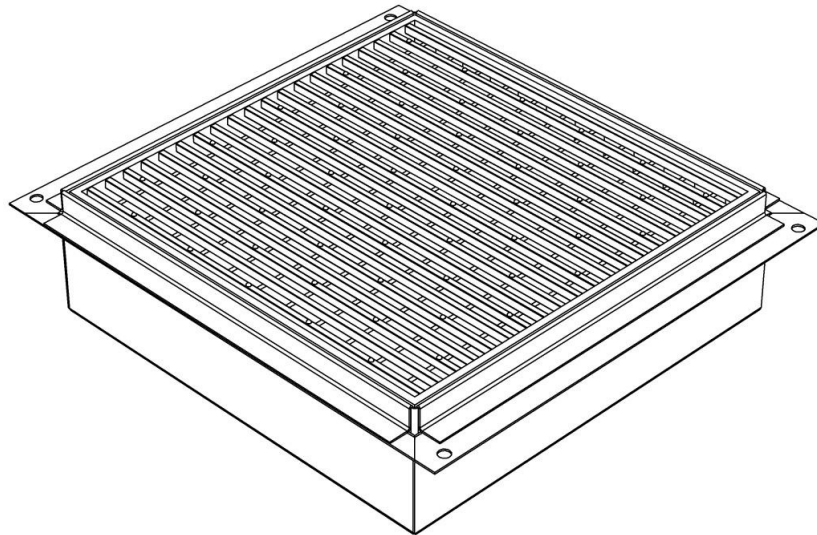
SPPL.FW.300.300.100.X

Code explanation:

SPPL = Standard Product Plumbing
FW = Floor Waste
300 = 300mm long grate
300 = 300mm wide grate
100 = 100mm deep
X = A – A grade grate
= B – B grade grate

e.g.: for specification and ordering

SPPL.FW.300.300.100.B



Features and Benefits:

- Strong corrosion resistant design constructed from stainless steel will provide years of reliable service.
- Easy lift off grate allows access for regular cleaning.
- Fine mesh dry wastebasket for collecting solid items easily removed for retrieval.

Due to continuous product research and development, the information contained herein is subject to change without notification.



Floor Waste

Specifications:

- Construction: 1.2mm 304 grade stainless steel construction, no 4 brushed finish.
- Waste Connection: 90mm connection to suit PVS S or P trap.
- Unit fixing: Unit can be set in concrete floor or anchored with screws.

Models:

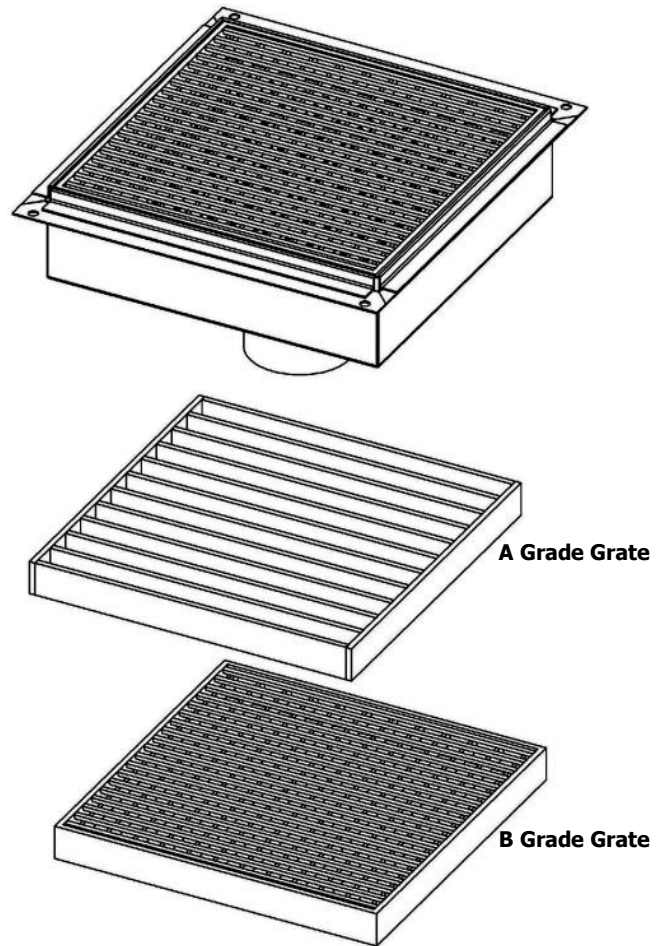
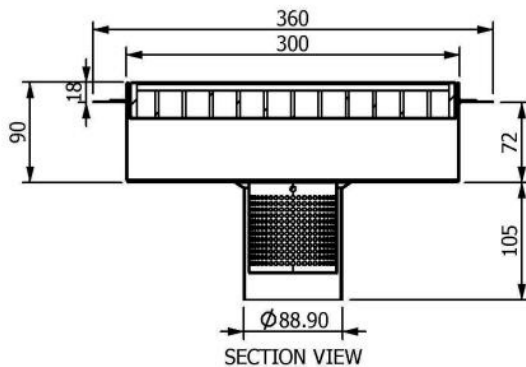
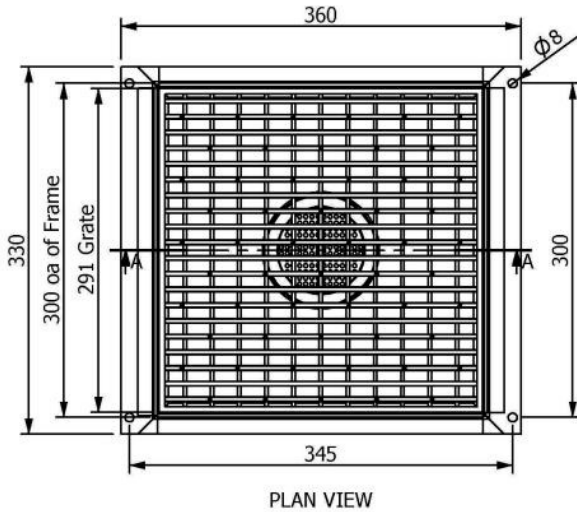
SPPL.FW.300.300.100.X

Code explanation:

- SPPL = Standard Product Plumbing
- FW = Floor Waste
- 300 = 300mm long grate
- 300 = 300mm wide grate
- 100 = 100mm deep
- X = A – A grade grate
= B – B grade grate

e.g.: for specification and ordering

SPPL.FW.300.300.100.B



| Model No. | Length (mm) | Width (mm) | Height (mm) |
|-----------------------|-------------|------------|-------------|
| SPPL.FW.300.300.100.X | 360 | 330 | 195 |

Due to continuous product research and development, the information contained herein is subject to change without notification.