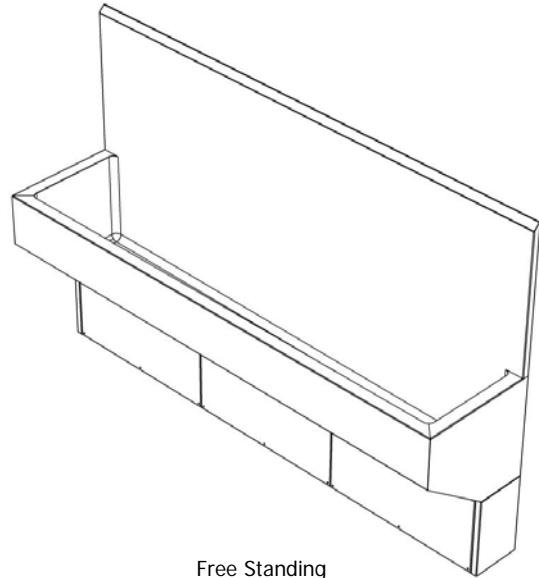


Wall Mounted



Free Standing

Installation and Operation Manual for Stainless Steel Scrub Up Troughs

This manual is suitable for the following models:

Floor Mounted Models:	WASH BASIN SECURITY ROUND
SPPL.WT.SUT.F.SE	Scrub Up Trough – Floor Mounted – Splashback Ends
SPPL.WT.SUT.F.FE	Scrub Up Trough – Floor Mounted – Facia Ends
SPPL.WT.SUT.F.LC	Scrub Up Trough – Floor Mounted – Left Corner Splashback
SPPL.WT.SUT.F.RC	Scrub Up Trough – Floor Mounted – Right Corner Splashback
SPPL.WT.SUT.W.SE	Scrub Up Trough – Wall Mounted – Splashback Ends
SPPL.WT.SUT.W.FE	Scrub Up Trough – Wall Mounted – Facia Ends
SPPL.WT.SUT.W.LC	Scrub Up Trough – Wall Mounted – Left Corner Splashback
SPPL.WT.SUT.W.RC	Scrub Up Trough – Wall Mounted – Right Corner Splashback



CONTENTS

CONTENTS 2

RECOMMENDATIONS 2

RESPONSIBILITIES..... 2

REFERENCED AUSTRALIAN STANDARDS 2

INSTALLATION OF SCRUB UP TROUGHS 3

 Water Supply Requirements 3

 Installation of Wall Mounted Scrub Up Troughs 3

 Installation of Floor Mounted Scrub Up Troughs 3

SAFETY PRECAUTIONS 3

INLET HYDRAULIC CONDITIONS..... **Error! Bookmark not defined.**

WARRANTY 4

CLEANING INSTRUCTION 4

CUSTOMER ENQUIRY 4

RECOMMENDATIONS

Upon receiving a Stoddart product, inspect immediately for any visible signs of shipping damage and notify the carrier immediately. When removing the product from its packing, be careful not to dent or scratch outer surface. Any concealed damage should be noted and reported immediately to the freight carrier. A claim should be filed with carrier if appropriate.

RESPONSIBILITIES

Stoddart thoroughly inspect all products they are despatched from our factory. Stoddart Manufacturing will not accept responsibility for shipping damage.

The Plumber is responsible to ensure that the system is installed in accordance with all specific requirements of local codes and regulations (including AS 3500). If questions or complications should arise during the installation of a Stoddart product that cannot be solved using the accompanying instructions, please contact our offices or local representatives.

Note: It is the Plumbers responsibility to install this product in accordance with AS3500.

REFERENCED AUSTRALIAN STANDARDS

Markings & Labels	Watermarked components must have Watermark logo and license. Copper alloy products must be marked 'DR'	AS 3500.1-2003 AS 5200.000 AS 6400 – 2005
Dezincification resistance	Dezincification resistance applicable to copper alloy components in contact with mains water	AS 2345 - 2006
Contamination of water	Products For Use In Contact With Drinking Water	AS 4020 - 2005
Pipes and Fittings	Dimensional compliance with relevant or corresponding Australian Standard for the pipe or fitting	AS 3688 - 2005
Joints (i.e. Spigots, sockets, flanges, or other joint components, where interfacing other authorized components)	Dimensional compliance with relevant or corresponding Australian Standard for the pipe or fitting Pipe Threads of Whitworth Form. – Part 2 Fastening Pipe Threads	AS 3688 - 2005
Installation	Warranty / Installation instructions shall be provided by the manufacturer	AS3500.2 - 2003

INSTALLATION OF SCRUB UP TROUGHS

Water Requirements

Stoddart Scrub Up Troughs require the following:

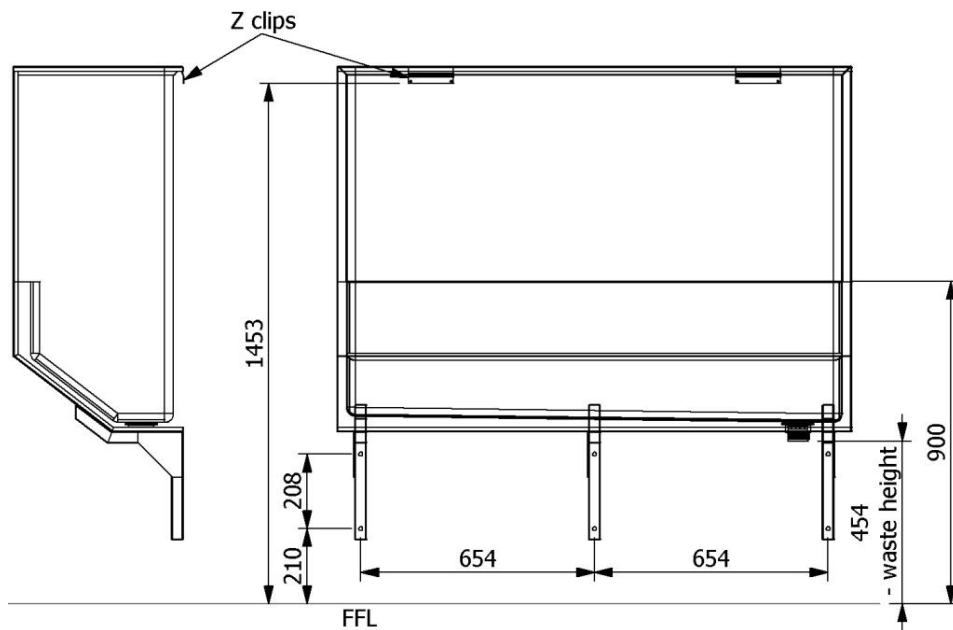
- 50mm waste.
- Min. flow pressure 200 kPa.
- Max. flow pressure 500 kPa.
- Min. connecting pipe size - pipes to be sized for tapware.

Pipe work to the fixture must be sized to and installed to water service rules and regulations (AS/NZS 3500.1 and local regulations). To ensure proper sizing of the pipe work for the valve it is recommended to engage a qualified hydraulic designer.

Installation of Wall Mounted Scrub Up Troughs

All Stoddart Troughs are supplied with mounting holes pre-punched for easy installation.

- Remove the packing from the fountain and check for damage.
- Mark a horizontal line on the wall at 1453mm above floor.
- Fit plumbing for tap positions,
- Fit Z clips to the wall with sufficient load bearing fixings to support trough.
- Hang trough on Z clips on wall & Fit brackets to wall.
- Connect water and waste plumbing and perform a leak test.
- Clean stainless steel surfaces.



Installation of Floor Mounted Scrub Up Troughs

All Stoddart Troughs are supplied with mounting holes pre-punched for easy installation.

Floor Mounted Hob incorporates a 200mm plinth with ply face for vinyl floor covering.

- Remove the packing from the fountain and check for damage.
- Fit plumbing for tap positions.
- Fit Z clips to wall to secure top edge to wall.
- Place the through in position & set level.
- Fasten to floor with appropriate fixing bolts
- Connect water and waste plumbing and perform a leak test.
- Apply sealant between trough top edges and wall.
- Clean stainless steel surfaces.

SAFETY PRECAUTIONS

- For the installation and operation observe all relevant electrical, safety plumbing and building standards. All supplied components should only be used for the purpose they are designed for.



WARRANTY

Upon receiving a Stoddart product, inspect immediately for any visible signs of shipping damage and notify the carrier immediately. When removing the product from its packing, be careful not to dent or scratch outer surface. Any concealed damage should be noted and reported immediately to the freight carrier. A claim should be filed with carrier promptly if appropriate. Stoddart Manufacturing will not accept responsibility for shipping damage.

The Standard Terms and Conditions of Sale clearly details Standard Warranty Policy. Plumbing Products offer additional conditions as follows;

- Warranty on materials and labour is limited to 12 months from date of installation.
- The Warranty does not cover damage caused by abuse, misuse or improper application or improper installation.
- Warranty Claims must be submitted in writing to Stoddart Manufacturing within 14 days of observation of fault.
- Items may be returned to Stoddart's Factory by the Customer for warranty inspection. For valid warranty claims, Stoddart will repair or replacement the item and return it to the Customer promptly.
- For installed products, Photos must accompany the Warranty Claim for effective consideration.
- If a site visit is required to conduct warranty repairs, such work will be carried out during normal business hours e.g. 8am to 5pm. Mon to Fri.

CLEANING INSTRUCTION

All surfaces of the product should be cleaned with mild soap and water or a neutral product. Carefully rinse away all surplus cleaning product.

IMPORTANT: Never use harsh or abrasive cleaners on stainless steel. Do not use chlorinated or bleach water

CUSTOMER ENQUIRY

All customer complaints enquiries Stoddart Stainless Steel Toilets should be referred to:

Customer Service Department
Stoddart Manufacturing
149 Jackson Road 4109
Sunnybank Brisbane
Ph +61 7 33455011
Fax +61 7 33441000
Email: plumbing@stoddart.com.au
Web : www.stoddart.com.au