

Wall Mounted

Installation and Operation Manual for Stainless Steel Round Wand Operated Wash Basins

This manual is suitable for the following models:

Wall Mounted Models:	
SPPL.WB.R.WM.WO	Round Wand Operated Wash Basin – Wall Mounted



CONTENTS

CONTENTS	2
RECOMMENDATIONS	2
RESPONSIBILITIES.....	2
REFERENCED AUSTRALIAN STANDARDS	2
INSTALLATION OF ROUND WAND OPERATED BASIN	3
Water Supply Requirements	3
Installation of Wall Mounted Basin.....	3
SAFETY PRECAUTIONS	3
INLET HYDRAULIC CONDITIONS.....	3
TROUBLESHOOTING	4
SPARE PARTS.....	4
MANUAL Models	4
WARRANTY.....	4
CLEANING INSTRUCTION	4
CUSTOMER ENQUIRY	4

RECOMMENDATIONS

Upon receiving a Stoddart product, inspect immediately for any visible signs of shipping damage and notify the carrier immediately. When removing the product from its packing, be careful not to dent or scratch outer surface. Any concealed damage should be noted and reported immediately to the freight carrier. A claim should be filed with carrier if appropriate.

RESPONSIBILITIES

Stoddart thoroughly inspect all products they are despatched from our factory. Stoddart Manufacturing will not accept responsibility for shipping damage.

The Plumber is responsible to ensure that the system is installed in accordance with all specific requirements of local codes and regulations (including AS 3500). If questions or complications should arise during the installation of a Stoddart product that cannot be solved using the accompanying instructions, please contact our offices or local representatives.

Note: It is the Plumbers responsibility to install this product in accordance with AS3500.

REFERENCED AUSTRALIAN STANDARDS

Markings & Labels	Watermarked components must have Watermark logo and license. Copper alloy products must be marked 'DR'	AS 3500.1-2003 AS 5200.000 AS 6400 - 2005
Design for hand washing	Design & Fit out of Food Premises	AS 4674 - 2004
Dezincification resistance	Dezincification resistance applicable to copper alloy components in contact with mains water	AS 2345 - 2006
Contamination of water	Products For Use In Contact With Drinking Water	AS 4020 - 2005
Joints (i.e. Spigots, sockets, flanges, or other joint components, where interfacing other authorized components)	Dimensional compliance with relevant or corresponding Australian Standard for the pipe or fitting Pipe Threads of Whitworth Form. – Part 2 Fastening Pipe Threads	AS 3688 - 2005
Installation	Warranty / Installation instructions shall be provided by the manufacturer	AS3500.2 - 2003
Timed flow of tempered water with hands free access	Design & fit out of food premises	AS 4674 - 2004

INSTALLATION OF ROUND WAND OPERATED BASIN

Water Supply Requirements

Stoddart Basins require the following:

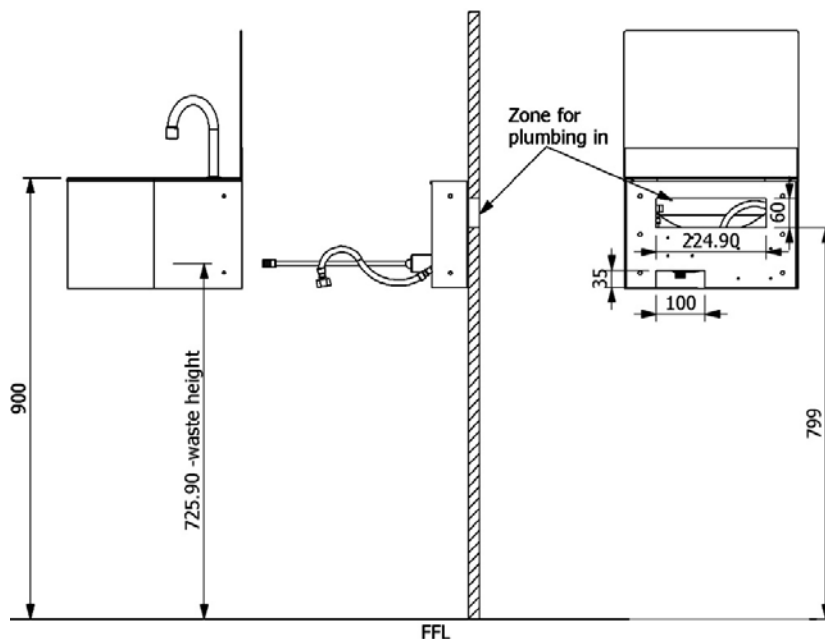
- 15mm connections for water supply (Hot & cold to Tempering Valve).
- 40mm waste comes with PVC waste.

Installation of Wall Mounted Basin

Stoddart Basins are supplied with mounting holes pre-punched for easy installation.

- Remove the packing from the basin and check for damage.
- Remove the mounting bracket from the unit.
- NOTE: The wand operated valve and flexible hose come fixed to the bracket
- Place the mounting bracket at the desired height, set level and mark the fixing hole positions.
- Ensure the water supply and waste are in the zone marked in the image below, and the waste is below the bracket.
- Remove the bracket from the wall and install the bolts in the wall with sufficient load bearing fixings.
- Replace the bracket and fasten.
- Fix the tempering valve to the bracket & connect the tempering valve to the wand operated valve and hot and cold water supplies.
- Fix the basin to the bracket whilst coupling the outlet of the wand operated valve to the spout.
- Connect the waste pipe-work.
- Check the flexible coupling & bracket fixing bolts are tight and perform a leak test.
- Clean stainless steel surfaces (cover for protection from other construction works until ready for use).

Note: Protect the product at all times by wrapping in plastic until all other work is complete and the system ready to be put into operation.



SAFETY PRECAUTIONS

For the installation and operation observe all relevant electrical, safety plumbing and building standards. All supplied components should only be used for the purpose they are designed for.

INLET HYDRAULIC CONDITIONS

- Min. flow pressure 200 kPa.
- Max. flow pressure 500 kPa.
- Min. connecting pipe size 15 mm copper
- WELS rating 5 STAR depending on spout model.

* Pipe work to the valve fixture must be sized to and installed to water service rules and regulations (AS/NZS 3500.1 and local regulations) and simultaneous demand requirements. To ensure proper sizing of the pipe work for the valve it is recommended to engage a qualified hydraulic designer.



TROUBLESHOOTING

- Water is too hot/cold.
 - Adjust the tempering valve to suit.
- Unit water flow is too little.
 - There may be air in the lines, run the tap until normal flow resumes, if problem persists;
 - Check for dirt and grit in the valve cartridge, the use of a line strainer is recommended for applications with dirty water.
 - Check the inlet for source of air, leaks or restrictions.
 - If above checked out OK, contact service.
- Water won't shut off.
 - There may be scale or dirt in the lines that had become lodged in the valve; Activate the valve several times - the contaminant may pass.
 - Turn off the water supply, remove the valve & check for dirt and grit in the valve cartridge, the use of a line strainer is recommended for applications with dirty water.
 - Check water pressure is in operating range – if pressure is too low, the valve timer will run longer.
 - If above items have checked out OK, contact service.

SPARE PARTS

MANUAL Models

<i>Part No.</i>	<i>Description</i>
CMPL.0413	Spout; Basin Goose neck; Chrome Plated
CMPL.0139	Brass Back-nut
CMPL.0509	Hose; S/S Braided for Water; 450mm Long
CMPL.0429	Hose; S/S Braided for Water; 300mm Long
CMPL.0462	Wand Operated Valve
CMPL.0255	Waste; White PVC; 40mm
CMPL.0511	Tempering Valve

WARRANTY

Upon receiving a Stoddart product, inspect immediately for any visible signs of shipping damage and notify the carrier immediately. When removing the product from its packing, be careful not to dent or scratch outer surface. Any concealed damage should be noted and reported immediately to the freight carrier. A claim should be filed with carrier promptly if appropriate. Stoddart Manufacturing will not accept responsibility for shipping damage.

The Standard Terms and Conditions of Sale clearly details Standard Warranty Policy. Plumbing Products offer additional conditions as follows;

- Warranty on materials and labour is limited to 12 months from date of installation.
- The Warranty does not cover damage caused by abuse, misuse or improper application or improper installation.
- Warranty Claims must be submitted in writing to Stoddart Manufacturing within 14 days of observation of fault.
- Items may be returned to Stoddart's Factory by the Customer for warranty inspection. For valid warranty claims, Stoddart will repair or replacement the item and return it to the Customer promptly.
- For installed products, Photos must accompany the Warranty Claim for effective consideration.
- If a site visit is required to conduct warranty repairs, such work will be carried out during normal business hours e.g. 8am to 5pm. Mon to Fri.

CLEANING INSTRUCTION

All surfaces of the product should be cleaned with mild soap and water or a neutral product. Carefully rinse away all surplus cleaning product.

IMPORTANT: Never use harsh or abrasive cleaners on stainless steel. Do not use chlorinated or bleach water

CUSTOMER ENQUIRY

All customer complaints enquiries Stoddart Stainless Steel Toilets should be referred to:

Customer Service Department
Stoddart Manufacturing
149 Jackson Road 4109
Sunnybank Brisbane
Ph +61 7 33455011
Fax +61 7 33441000
Email: plumbing@stoddart.com.au
Web : www.stoddart.com.au