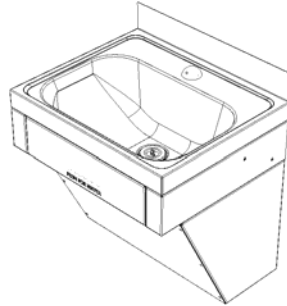
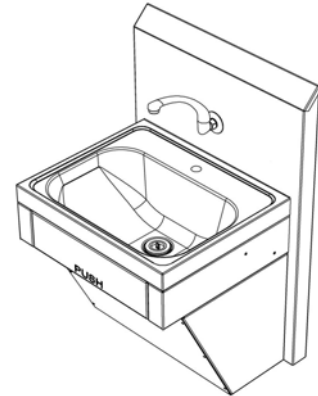


Type 1



Type 2



Type 3

Installation and Operation Manual for Stainless Steel Knee Operated Wash Basins

This manual is suitable for the following models:

Standard Height Models:	KNEE OPERATED WASH BASIN
SPPL.WB.KO1	Knee Operated Wash Basin – Type 1
SPPL.WB.KO1.300	Knee Operated Wash Basin – Type 1 – 300mm Splashback
SPPL.WB.KO1.TV	Knee Operated Wash Basin – Type 1 – Tempering Valve
SPPL.WB.KO1.300.TV	Knee Operated Wash Basin – Type 1 – 300mm Splashback – Tempering Valve
SPPL.WB.KO2	Knee Operated Wash Basin – Type 2
SPPL.WB.KO2.300	Knee Operated Wash Basin – Type 2 – 300mm Splashback
SPPL.WB.KO2.TV	Knee Operated Wash Basin – Type 2 – Tempering Valve
SPPL.WB.KO2.300.TV	Knee Operated Wash Basin – Type 2 – 300mm Splashback – Tempering Valve
SPPL.WB.KO3	Knee Operated Wash Basin – Type 3
SPPL.WB.KO3.TV	Knee Operated Wash Basin – Type 3 – Tempering Valve



CONTENTS

RECOMMENDATIONS 2

RESPONSIBILITIES..... 2

REFERENCED AUSTRALIAN STANDARDS 2

INSTALLATION OF KNEE OPERATED WASH BASINS 3

 Water Supply Requirements 3

 Installation of Knee Operated Wash Basins 3

SAFETY PRECAUTIONS 3

TROUBLESHOOTING 3

INLET HYDRAULIC CONDITIONS..... 3

SPARE PARTS..... 4

WARRANTY..... 4

CLEANING INSTRUCTIONS 4

CUSTOMER INQUIRY..... 4

RECOMMENDATIONS

Upon receiving a Stoddart product, inspect immediately for any visible signs of shipping damage and notify the carrier immediately. When removing the product from its packing, be careful not to dent or scratch outer surface. Any concealed damage should be noted and reported immediately to the freight carrier. A claim should be filed with carrier if appropriate.

RESPONSIBILITIES

Stoddart thoroughly inspect all products they are despatched from our factory. Stoddart Manufacturing will not accept responsibility for shipping damage.

The Plumber is responsible to ensure that the system is installed in accordance with all specific requirements of local codes and regulations (including AS 3500). If questions or complications should arise during the installation of a Stoddart product that cannot be solved using the accompanying instructions, please contact our offices or local representatives.

Note: It is the Plumbers responsibility to install this product in accordance with AS3500.

REFERENCED AUSTRALIAN STANDARDS

Design	Design for access Design & fit out of Food Premises	AS 1428.1 – 2009 AS 4674 - 2004
Markings & Labels	Watermarked components must have Watermark logo and license. Copper alloy products marked 'DR'	AS 3500.1-2003 AS 5200.000 – 2006 Appendix B AS 6400 – 2005 Clause 2.4.6 AS 2345 - 2006
Dezincification resistance	Dezincification resistance applicable to copper alloy components in contact with mains water	AS 2345 - 2006
Contamination of water	Products For Use In Contact With Drinking Water	AS 4020 - 2005
Pipes and Fittings	Dimensional compliance with relevant or corresponding Australian Standard for the pipe or fitting	AS 3688 - 2005
Joints (i.e. Spigots, sockets, flanges, or other joint components, where interfacing other authorized components)	Dimensional compliance with relevant or corresponding Australian Standard for the pipe or fitting Pipe Threads of Whitworth Form. – Part 2 Fastening Pipe Threads	AS 3688 - 2005
Installation	Warranty / Installation instructions shall be provided by the manufacture	AS3500.2 - 2003

INSTALLATION OF KNEE OPERATED WASH BASINS

Water Supply Requirements

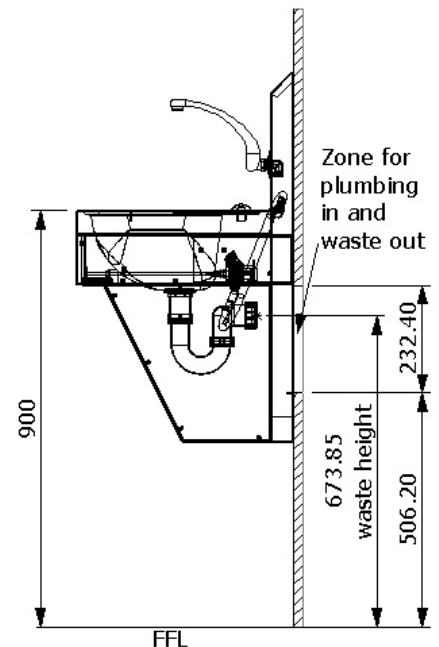
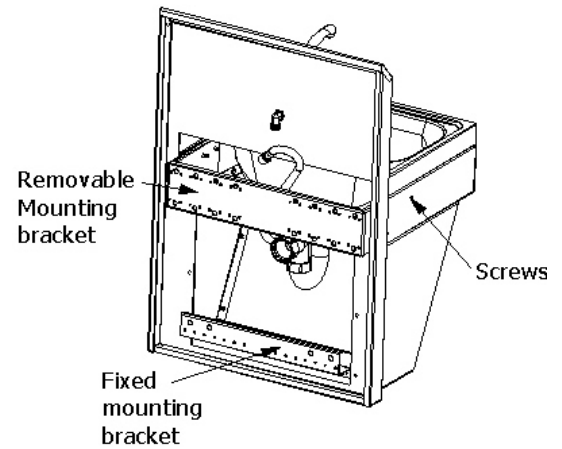
- Water supply connection for the valve must be 15mm diameter.
- All Stoddart wash basins are fitted with a 40mm waste

Installation of Knee Operated Wash Basins

All Stoddart basins are supplied with mounting holes pre-punched for easy installation.

- Remove the packing from the wash basin and check for damage.
- Remove access panel.
- Unscrew the screws on either side of the basin to remove the removable galvanised bracket from the basin.
- Place the bracket at desired height and mark the locations of screw holes and/or outline around the bracket if adhesive is being used, making sure bracket is level.
- Ensure the water supply and waste are in the zone marked in the image to the right, and the waste is approximately 673.85mm above FFL (for 900mm basin height).
- Attach bolts with sufficient load bearing fixings to the wall.
- Fix the removable bracket to the bolts.
- Slide the wash basin on to the bracket.
- Tighten the flexible coupling fasteners and replace the screws on either side of basin.
- Replace access panel.
- Clean stainless steel surfaces.

Note: Protect the product at all times by wrapping in plastic until all other work is complete and the system ready to be put into operation.



SAFETY PRECAUTIONS

- For the installation and operation observe all relevant electrical, safety plumbing and building standards.

All supplied components should only be used for the purpose they are designed for.

TROUBLESHOOTING

Unit will not stop water flow, or leaks from outlet.

- Check to see if a line strainer is installed. And make sure there is a 2mm gap between push rod and push panel.
- If a line strainer is not installed then check for dirt and grit and clean valve cartridge.
- If above checked out o.k. contact service.

Unit water flow from outlet is too little.

- Check distance between push rod and push panel. Make sure there is a 2mm gap by adjusting push rod.
- Check supply pressure and stopcocks are open.
- Check lines are not flattened.

Cannot Find the Bracket

- Bracket is supplied and installed in unit.
- Locate galvanised steel bracket on rear. Locate screws on either side and unscrew bracket from body.

INLET HYDRAULIC CONDITIONS

- Min. flow pressure 200 kPa.
- Max. flow pressure* 500 kPa
- Min. connecting pipe size* 15 mm copper
- Max. static pressure 800 kPa

* Refers to the minimum connection pipe size to any valve branched off the ring main pipe providing that the above required technical specifications can be met. Pipe work to the valve fixture must be sized to and installed to water service rules and regulations (AS/NZS 3500.1 and local regulations) and simultaneous demand requirements. To ensure proper sizing of the pipe work for the valve it is recommended to engage a qualified hydraulic designer.



SPARE PARTS

<i>Article No</i>	<i>Description</i>
CMPL-0255	Waste and Plug
CMPL-0352	Valve Housing
CMPL-0353	Valve Cartridge
CMGE.0510	Spring S/S for Push Basin
CMPL.0025	Braided Hose; 300mm
CMPL.0413	Gooseneck Spout used in SPPL.WB.KO1
CMPL.0438	Domed SS Bubbler used in SPPL.WB.KO2
CMPL-0464	Wall Spout used in SPPL.WB.KO3

WARRANTY

Upon receiving a Stoddart product, inspect immediately for any visible signs of shipping damage and notify the carrier immediately. When removing the product from its packing, be careful not to dent or scratch outer surface. Any concealed damage should be noted and reported immediately to the freight carrier. A claim should be filed with carrier promptly if appropriate. Stoddart Manufacturing will not accept responsibility for shipping damage.

The Standard Terms and Conditions of Sale clearly details Standard Warranty Policy. Plumbing Products offer additional conditions as follows;

- Warranty on materials and labour is limited to 12 months from date of installation.
- The Warranty does not cover damage caused by abuse, misuse or improper application or improper installation.
- Warranty Claims must be submitted in writing to Stoddart Manufacturing within 14 days of observation of fault.
- Items may be returned to Stoddart's Factory by the Customer for warranty inspection. For valid warranty claims, Stoddart will repair or replacement the item and return it to the Customer promptly.
- For installed products, Photos must accompany the Warranty Claim for effective consideration.
- If a site visit is required to conduct warranty repairs, such work will be carried out during normal business hours e.g. 8am to 5pm. Mon to Fri.

CLEANING INSTRUCTIONS

All surfaces of the product should be cleaned with mild soap and water or a neutral product. Carefully rinse away all surplus cleaning product.

IMPORTANT: Never use harsh or abrasive cleaners on stainless steel. Do not use chlorinated or bleach water

CUSTOMER INQUIRY

All customer inquiries regarding Stoddart Stainless Steel Wash Basin's should be referred to:

Customer Service Department
Stoddart Manufacturing
149 Jackson Road 4109
Sunnybank Brisbane
Ph +61 7 33455011
Fax +61 7 33441000
Email: plumbing@stoddart.com.au
Web : www.stoddart.com.au