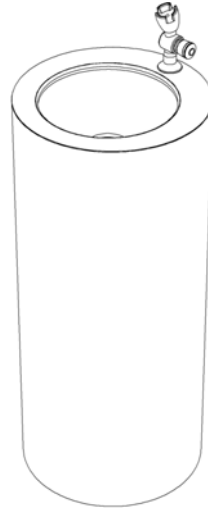


Wall Mounted



Floor Mounted

Installation and Operation Manual for Stainless Steel Round Drinking Fountains

This manual is suitable for the following models:

Wall Mounted Models:	
SPPL.DF.R.WM	Round Drinking Fountain – Wall Mounted
Floor Mounted Models:	
SPPL.DF.R.FS	Round Drinking Fountain – Floor Mounted



CONTENTS

CONTENTS 2

RECOMMENDATIONS 2

RESPONSIBILITIES..... 2

REFERENCED AUSTRALIAN STANDARDS 2

INSTALLATION OF ROUND DRINKING FOUNTAIN..... 3

 Water Supply Requirements 3

 Installation of Wall Mounted Drinking Fountain 3

 Installation of Floor Mounted Drinking Fountain 3

SAFETY PRECAUTIONS 3

INLET HYDRAULIC CONDITIONS..... 3

TROUBLESHOOTING 4

SPARE PARTS..... 4

WARRANTY..... 4

CLEANING INSTRUCTION 4

CUSTOMER ENQUIRY 4

RECOMMENDATIONS

Upon receiving a Stoddart product, inspect immediately for any visible signs of shipping damage and notify the carrier immediately. When removing the product from its packing, be careful not to dent or scratch outer surface. Any concealed damage should be noted and reported immediately to the freight carrier. A claim should be filed with carrier if appropriate.

RESPONSIBILITIES

Stoddart thoroughly inspect all products they are despatched from our factory. Stoddart Manufacturing will not accept responsibility for shipping damage. The Plumber is responsible to ensure that the system is installed in accordance with all specific requirements of local codes and regulations (including AS 3500). If questions or complications should arise during the installation of a Stoddart product that cannot be solved using the accompanying instructions, please contact our offices or local representatives.

Note: It is the Plumbers responsibility to install this product in accordance with AS3500.

REFERENCED AUSTRALIAN STANDARDS

Markings & Labels	Watermarked components must have Watermark logo and licence. Copper alloy products must be marked 'DR'	AS 3500.1-2003 + AS 5200.000 – 2006 + AS 6400 - 2005.
Dezincification resistance	Dezincification resistance applicable to copper alloy components in contact with mains water	AS 2345 - 2006
Contamination of water	Products For Use In Contact With Drinking Water	AS 4020 - 2005
Joints (i.e. Spigots, sockets, flanges, or other joint components, where interfacing other authorized components)	Dimensional compliance with relevant or corresponding Australian Standard for the pipe or fitting Pipe Threads of Whitworth Form. – Part 2 Fastening Pipe Threads	AS 3688 - 2005
Installation	Warranty / Installation instructions shall be provided by the manufacturer	AS3500.2 - 2003

INSTALLATION OF ROUND DRINKING FOUNTAIN

Water Supply Requirements

Stoddart Drinking Fountains require the following:

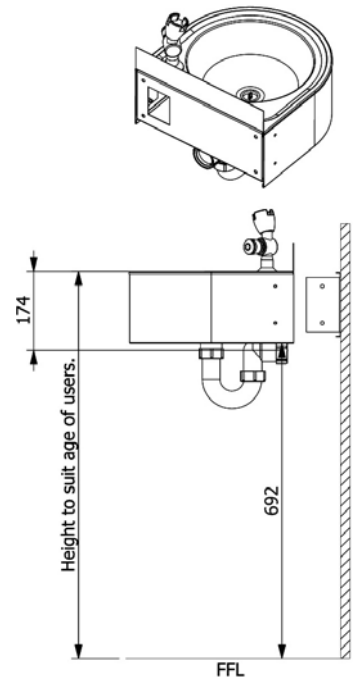
- 15mm connection for water supply.
- 40mm waste.

Installation of Wall Mounted Drinking Fountain

All Stoddart Drinking Fountains are supplied with mounting holes pre-punched for easy installation.

- Remove the packing from the fountain and check for damage.
- Remove the bracket from the unit and hold it at the desired height, set level and mark the fixing hole positions on the wall.
- Ensure the water supply and waste are below the bottom of the bracket.
- Remove the bracket from the wall, install the fixing bolts in the wall with sufficient load bearing fixings and replace the bracket and affix it to the bolts.
- Install and fix the unit to the bracket. Connect the pipe-work and test for leaks.
- Check button activates freely.
- Clean stainless steel surfaces.

Note: Protect the product at all times by wrapping in plastic until all other work is complete and the system ready to be put into operation.

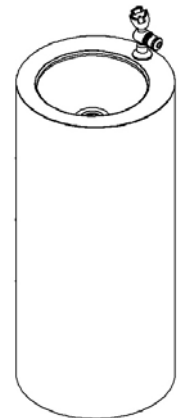


Installation of Floor Mounted Drinking Fountain

Stoddart Drinking Fountains are supplied with mounting holes pre-punched for easy installation.

Remove the packing from the fountain and check for damage.

- Remove the packing from the fountain and check for damage.
- Remove the access panel from unit.
- Ensure the water supply and waste are able to enter the zone marked the image below right.
- Place the unit in position & set level.
- Check the alignment of the water supply and waste connection pipes.
- Mark on the floor the mounting hole positions and remove the unit.
- Install the fixing bolts in the floor.
- Fix the Drinking Fountain to the fixing bolts whilst coupling the pipe-work.
- Tighten the plumbing fittings and perform a leak test.
- Replace the access panel.
- Check button activates freely.
- Clean stainless steel surfaces.



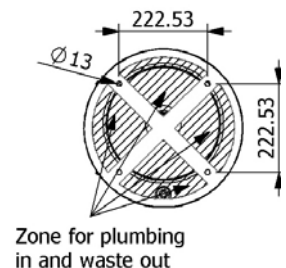
SAFETY PRECAUTIONS

For the installation and operation observe all relevant electrical, safety plumbing and building standards.

All supplied components should only be used for the purpose they are designed.

INLET HYDRAULIC CONDITIONS

- Min. flow pressure 200 kPa.
- Max. flow pressure 500 kPa.
- Min. connecting pipe size* 15 mm copper.





TROUBLESHOOTING

Unit water flow from outlet is too little.

- There may be air in the lines, run the bubbler until normal flow resumes, if problem persists;
 - Check for dirt and grit in the valve cartridge, the use of a line strainer is recommended for applications with dirty water.
 - Check the inlet for source of air, leaks.
- If above checked out OK, contact service.

Water from bubbler does not land in basin.

- Adjust stopcock on the valve.

SPARE PARTS

<i>Part No.</i>	<i>Description</i>
CMPL.0141	Drink bubbler and tap

WARRANTY

Upon receiving a Stoddart product, inspect immediately for any visible signs of shipping damage and notify the carrier immediately. When removing the product from its packing, be careful not to dent or scratch outer surface. Any concealed damage should be noted and reported immediately to the freight carrier. A claim should be filed with carrier promptly if appropriate. Stoddart Manufacturing will not accept responsibility for shipping damage.

The Standard Terms and Conditions of Sale clearly details Standard Warranty Policy. Plumbing Products offer additional conditions as follows;

- Warranty on materials and labour is limited to 12 months from date of installation.
- The Warranty does not cover damage caused by abuse, misuse or improper application or improper installation.
- Warranty Claims must be submitted in writing to Stoddart Manufacturing within 14 days of observation of fault.
- Items may be returned to Stoddart's Factory by the Customer for warranty inspection. For valid warranty claims, Stoddart will repair or replace the item and return it to the Customer promptly.
- For installed products, Photos must accompany the Warranty Claim for effective consideration.
- If a site visit is required to conduct warranty repairs, such work will be carried out during normal business hours e.g. 8am to 5pm. Mon to Fri.

CLEANING INSTRUCTION

All surfaces of the product should be cleaned with mild soap and water or a neutral product. Carefully rinse away all surplus cleaning product.

IMPORTANT: Never use harsh or abrasive cleaners on stainless steel. Do not use chlorinated or bleach water

CUSTOMER ENQUIRY

All customer complaints enquiries Stoddart Stainless Steel Toilets should be referred to:

Customer Service Department
Stoddart Manufacturing
149 Jackson Road 4109
Sunnybank Brisbane
Ph +61 7 33455011
Fax +61 7 33441000
Email: plumbing@stoddart.com.au
Web : www.stoddart.com.au