

Floor Mounted

## Installation and Operation Manual for Stainless Steel Floor Mounted Cleaner Sinks

This manual is suitable for the following models:

<b>Floor Mounted Models:</b>	
SPPL-CS.05 Floor	Cleaner Sink – Floor Mounted



**CONTENTS**

CONTENTS ..... 2  
 RECOMMENDATIONS ..... 2  
 RESPONSIBILITIES..... 2  
 REFERENCED AUSTRALIAN STANDARDS ..... 2  
 INSTALLATION OF FLOOR MOUNTED CLEANER SINK..... 3  
     Installation of Floor Mounted Cleaner Sink ..... **Error! Bookmark not defined.**  
 SAFETY PRECAUTIONS ..... 3  
 SAFETY PRECAUTIONS ..... 4  
 SPARE PARTS..... 4  
 WARRANTY..... 4  
 CLEANING INSTRUCTION ..... 4  
 CUSTOMER ENQUIRY ..... 4

**RECOMMENDATIONS**

Upon receiving a Stoddart product, inspect immediately for any visible signs of shipping damage and notify the carrier immediately. When removing the product from its packing, be careful not to dent or scratch outer surface. Any concealed damage should be noted and reported immediately to the freight carrier. A claim should be filed with carrier if appropriate.

**RESPONSIBILITIES**

Stoddart thoroughly inspect all products they are despatched from our factory. Stoddart Manufacturing will not accept responsibility for shipping damage.

The Plumber is responsible to ensure that the system is installed in accordance with all specific requirements of local codes and regulations (including AS 3500). If questions or complications should arise during the installation of a Stoddart product that cannot be solved using the accompanying instructions, please contact our offices or local representatives.

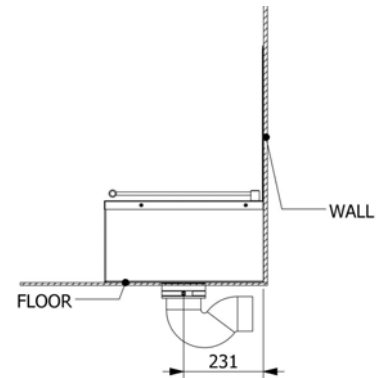
*Note: It is the Plumbers responsibility to install this product in accordance with AS3500.*

**REFERENCED AUSTRALIAN STANDARDS**

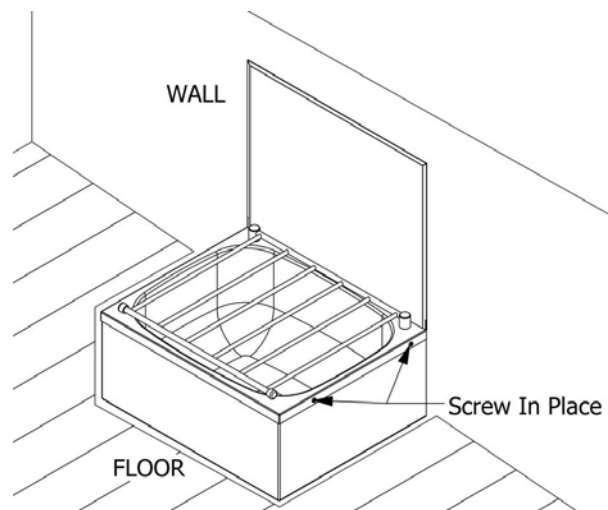
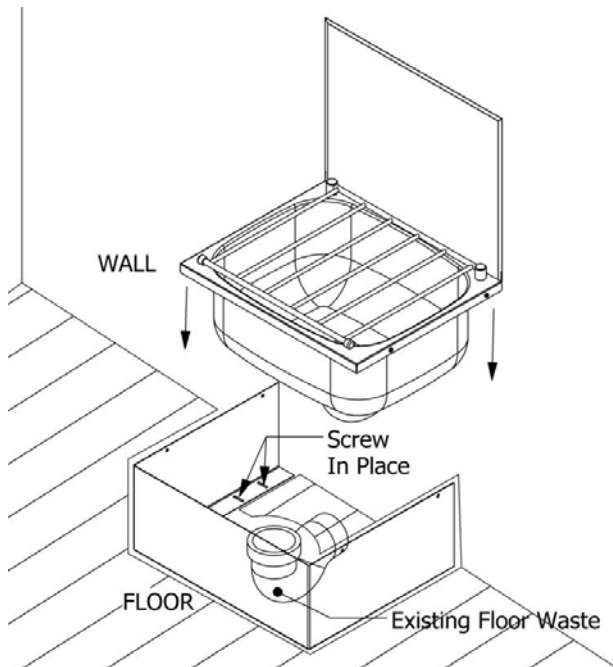
Markings & Labels	Watermarked components must have Watermark logo and license. Copper alloy products must be marked 'DR'	AS 3500.1-2003 AS 5200.000 – 2006 Appendix B AS 6400 - 2005. Clause 2.4.6 AS 2345 - 2006
Dezincification resistance	Dezincification resistance applicable to copper alloy components in contact with mains water	AS 2345 - 2006
Contamination of water	Products For Use In Contact With Drinking Water	AS 4020 - 2005
Joints (i.e. Spigots, sockets, flanges, or other joint components, where interfacing other authorized components)	Dimensional compliance with relevant or corresponding Australian Standard for the pipe or fitting Pipe Threads of Whitworth Form. – Part 2 Fastening Pipe Threads	AS 3688 - 2005
Installation	Warranty / Installation instructions shall be provided by the manufacturer	AS3500.2 - 2003

### INSTALLATION OF FLOOR MOUNTED CLEANER SINK

- Ensure the waste has a suitable trap below finished floor level.
  - Ensure the waste connection point allows for connection the 50mm outlet of the basket waste which will be approximately 231mm from wall.
  - Fit the Furnco (or similar) rubber plumbing cap to the infloor trap with a 50mm hole at 231 from wall to centre of hole.
  - Place shroud onto the floor and set it level. Fix to floor with suitable screw fasteners in mounting holes and/or with suitable building adhesive sealant (Sikaflex or similar).
  - Place the Cleaner Sink Bowl on top of the shroud ensuring the sink's waste passes through the plumbing cap with a sufficiently tight fit to form an adequate & permanent seal.
  - Fit the screws (4) to fasten the sink to the shroud.
  - Clean stainless steel surfaces.
- 
- Fit the splashback to the wall
    - Check the splashback is flat (gently bow so that concave – centre hits wall before sides)
    - Apply double sided tape to the wall where the centre and sides of splashback is to be fitted.
    - Apply a bead of clear bathroom silicon to the upturned tile edge of the sink (and to the wall where the splashback is to be fitted).
    - Fit the splashback to the wall squarely on top of the sink. press firmly to ensure the double sided tape and grabs and holds the splashback in place until the silicon has cured.
    - Clean off any excess silicon
    - Clean stainless steel surfaces.



*Note: Protect the product at all times by wrapping in plastic until all other work is complete and the system ready to be put into operation.*





## SAFETY PRECAUTIONS

- For the installation and operation observe all relevant electrical, safety plumbing and building standards. All supplied components should only be used for the purpose they are designed for.

## SPARE PARTS

<i>Part No.</i>	<i>Description</i>
CMPL.0466	Furnco Rubber Cap
CMPL.0507	Basket Waste
SPPL.CS.SB	Cleaners Sink Splashback
CMGE.0431	Grate for Cleaners Sink

## WARRANTY

Upon receiving a Stoddart product, inspect immediately for any visible signs of shipping damage and notify the carrier immediately. When removing the product from its packing, be careful not to dent or scratch outer surface. Any concealed damage should be noted and reported immediately to the freight carrier. A claim should be filed with carrier promptly if appropriate. Stoddart Manufacturing will not accept responsibility for shipping damage.

The Standard Terms and Conditions of Sale clearly details Standard Warranty Policy. Plumbing Products offer additional conditions as follows;

- Warranty on materials and labour is limited to 12 months from date of installation.
- The Warranty does not cover damage caused by abuse, misuse or improper application or improper installation.
- Warranty Claims must be submitted in writing to Stoddart Manufacturing within 14 days of observation of fault.
- Items may be returned to Stoddart's Factory by the Customer for warranty inspection. For valid warranty claims, Stoddart will repair or replacement the item and return it to the Customer promptly.
- For installed products, Photos must accompany the Warranty Claim for effective consideration.
- If a site visit is required to conduct warranty repairs, such work will be carried out during normal business hours e.g. 8am to 5pm. Mon to Fri.

## CLEANING INSTRUCTION

All surfaces of the product should be cleaned with mild soap and water or a neutral product. Carefully rinse away all surplus cleaning product.

*IMPORTANT: Never use harsh or abrasive cleaners on stainless steel. Do not use chlorinated or bleach water*

## CUSTOMER ENQUIRY

All customer complaints enquiries Stoddart Stainless Steel Toilets should be referred to:

Customer Service Department  
Stoddart Manufacturing  
149 Jackson Road 4109  
Sunnybank Brisbane  
Ph +61 7 33455011  
Fax +61 7 33441000  
Email: [plumbing@stoddart.com.au](mailto:plumbing@stoddart.com.au)  
Web : [www.stoddart.com.au](http://www.stoddart.com.au)