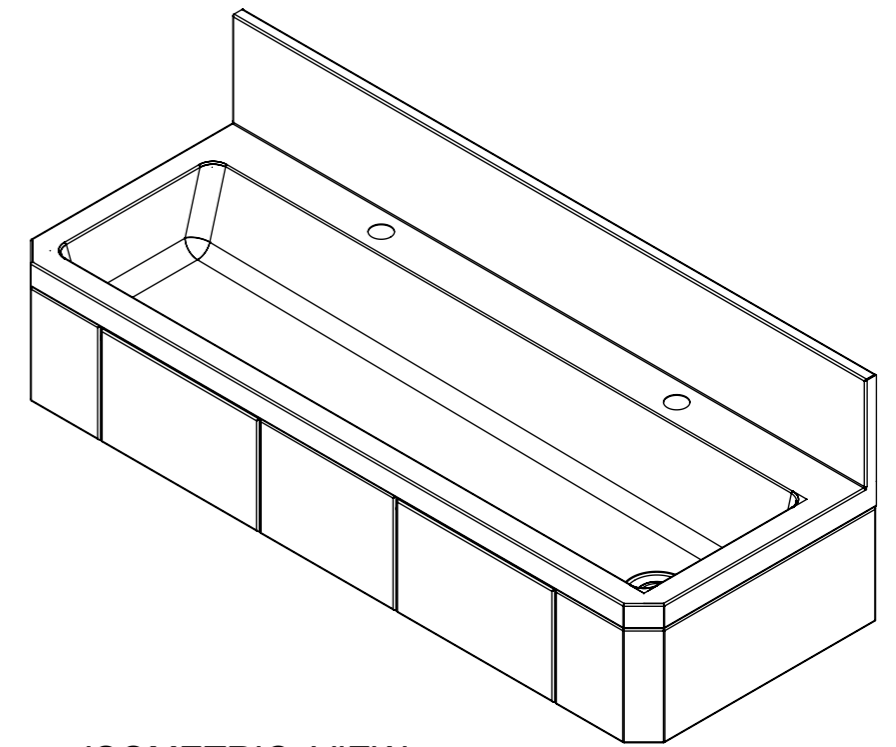
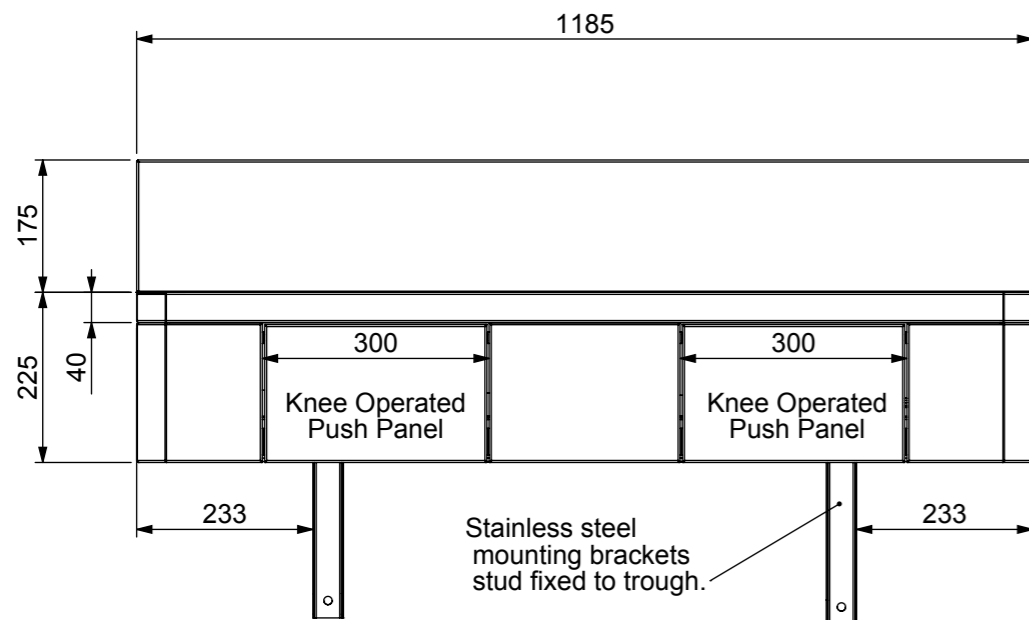


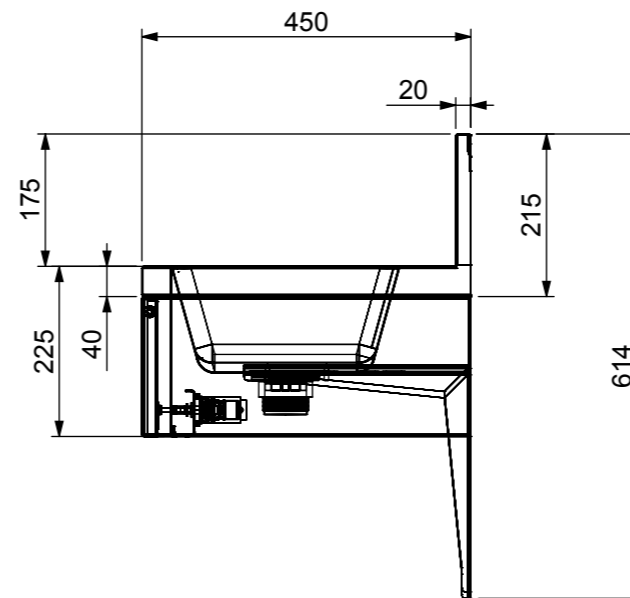
PLAN VIEW



ISOMETRIC VIEW



FRONT VIEW



END VIEW

R/H WASTE SHOWN

L/H WASTE & CENTRE WASTE AVAILABLE



STODDART
Manufacturing
TOM STODDART Pty Ltd ACN 009 690 251
215 Jackson Rd Sunnybank Hills Qld 4109
PO Box 420 Sunnybank Qld 4109
Phone (617) 3345 5011 Fax (617) 3344 1000
Email sunnybank@stoddart.com.au
Quality in stainless steel

PRODUCT: Wash Trough S5 - Hob Mounted Taps

NAME	SIGNATURE	DATE
DRAWN J Pickels		19/12/2008
APPVD		

UNLESS OTHERWISE SPECIFIED:
DIMENSIONS ARE IN MILLIMETERS
MATERIAL:
THICKNESS:
FINISH:

Press:	Programmed by:	Date:	Punch:	Die:
PART No: Knee Operated Wash Trough				REVISION
DESCRIPTION: Wash Trough Wall Mounted				A
DWG No: KOWT-1185 x 450				

DO NOT SCALE DRAWING This drawing remains the property of Tom Stoddart Pty Ltd & cannot be reproduced without prior permission. A3 Sheet 1 of 1