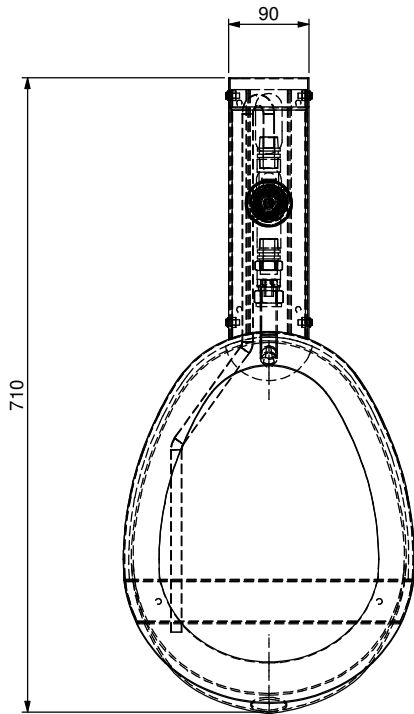
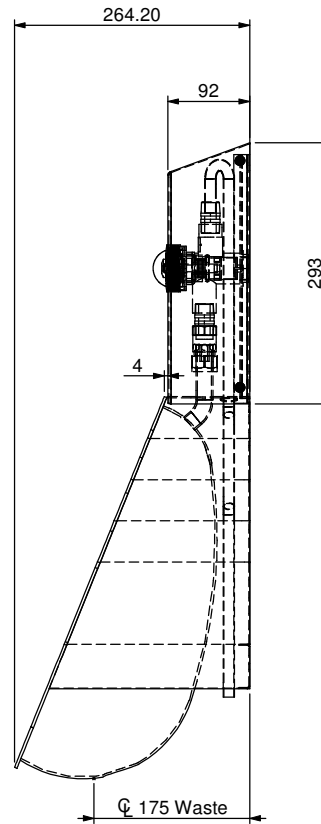


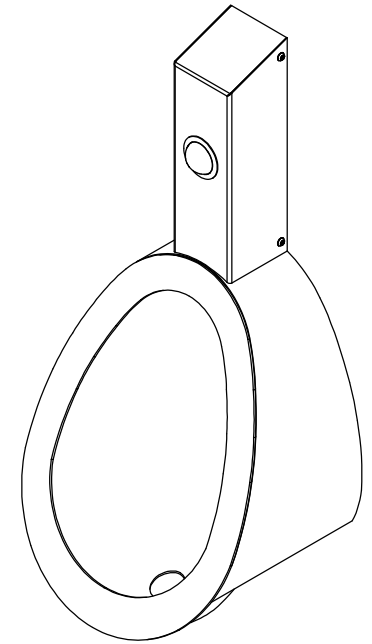
PLAN VIEW



FRONT VIEW



END VIEW

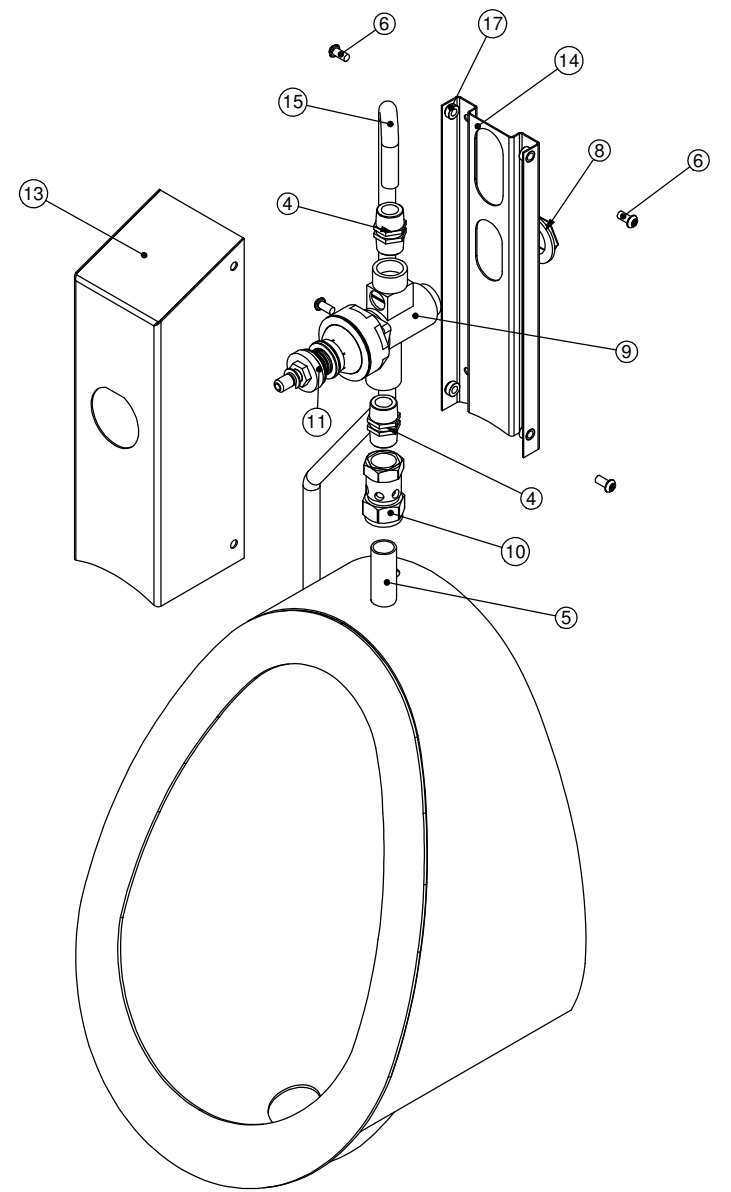


ISOMETRIC VIEW

STODDART
Manufacturing
 TOM STODDART Pty Ltd ACN 009 690 251
 215 Jackson Rd Sunnybank Hills Qld 4109
 PO Box 420 Sunnybank Qld 4109
 Phone (617) 3345 5011 Fax (617) 3344 1000
 Email sunnybank@stoddart.com.au
Quality in stainless steel

PRODUCT: Manual Flush Tear Drop Urinal				PART No: SPPL UR T MS-a001	
DRAWN J Pickels	SIGNATURE	DATE 25/03/2008	UNLESS OTHERWISE SPECIFIED: DIMENSIONS ARE IN MILLIMETERS	DESCRIPTION: Tear Drop Urinal w/ Valve Housing	
APPV/D			MATERIAL: THICKNESS: FINISH:	DWG No: SPPL UR T MS-d001	REVISION A
DO NOT SCALE DRAWING				This drawing remains the property of Tom Stoddart Pty Ltd & cannot be reproduced without prior permission.	
				A3	Sheet 1 of 8

ITEM NO.	DESCRIPTION	QTY.
1	Face Plate	1
2	Outside Skirt	1
3	Rear Fixing Channel	1
4	Half Inch Hex Nipple	2
5	Inlet	1
6	M6 x 12 Security Screw	4
7	Fixing Lug	1
8	3-4 inch waste fitting nut	1
9	Valve Timed Flow	1
10	Air Brake	1
11	Bubbler Valve Cartridge	1
12	Outside Skirt Flange	1
13	Valve Box	1
14	Valve Box Fixing Channel	1
15	Inlet Pipe	1
16	Bowl	1
17	Anchor Rivet Bush	4



Press:	Programmed by:	Date:	Punch:	Die:
--------	----------------	-------	--------	------


STODDART
MANUFACTURING
 TOM STODDART Pty Ltd ACN 009 690 251
 215 Jackson Rd Sunnybank Hills Qld 4109
 PO Box 420 Sunnybank Qld 4109
 Phone (617) 3345 5011 Fax (617) 3344 1000
 Email sunnybank@stoddart.com.au
Quality in stainless steel

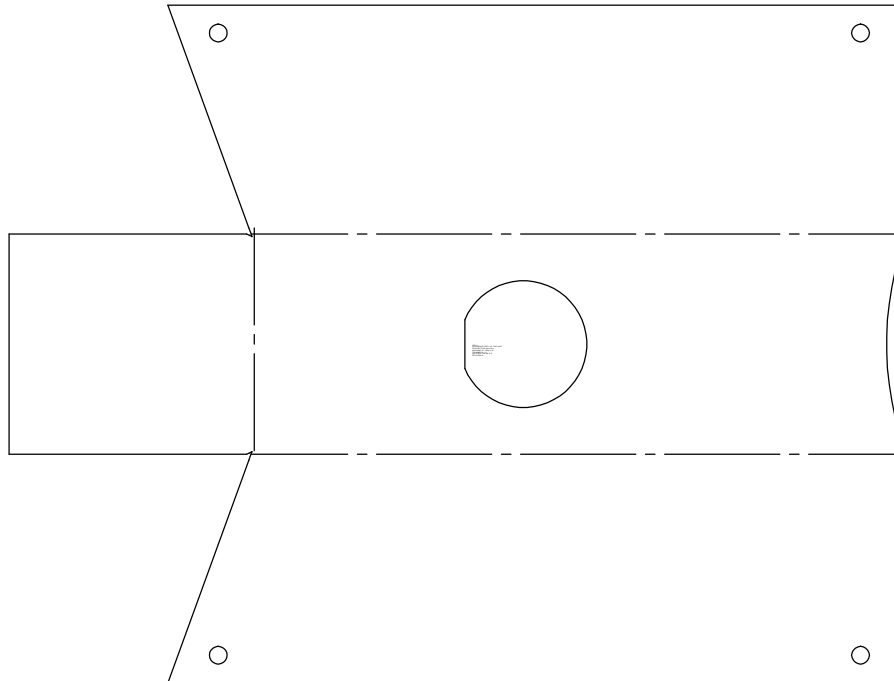
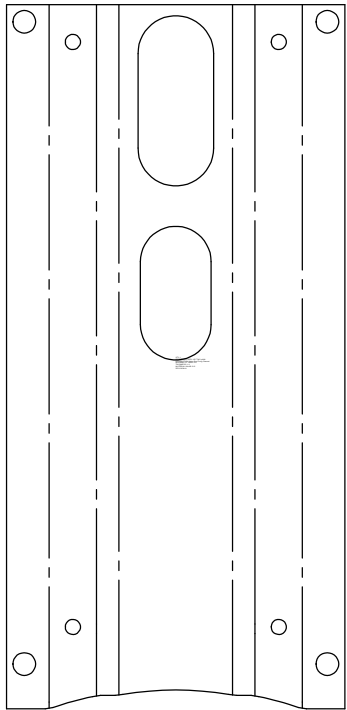
PRODUCT: Manual Flush Tear Drop Urinal				PART No: SPPL UR T MS-a001	
DRAWN	J Pickels	SIGNATURE	DATE	UNLESS OTHERWISE SPECIFIED: DIMENSIONS ARE IN MILLIMETERS	
APPV'D				DESCRIPTION: Tear Drop Urinal w/ Valve Housing	
			MATERIAL:	REVISION	
			THICKNESS:	A	
			FINISH:	DWG No: SPPL UR T MS-d001	
DO NOT SCALE DRAWING			This drawing remains the property of Tom Stoddart Pty Ltd & cannot be reproduced without prior permission.		Sheet 2 of 8

SPPL UR T MS-p008

Valve Box Fixing Channel

1.2 304 2B S/S

1 Req

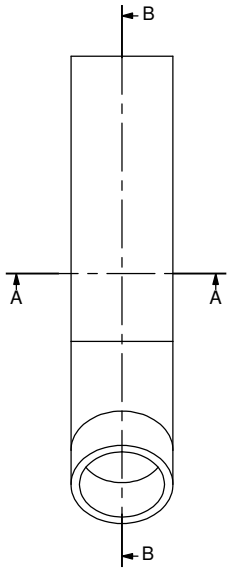


SPPL UR T MS-p007

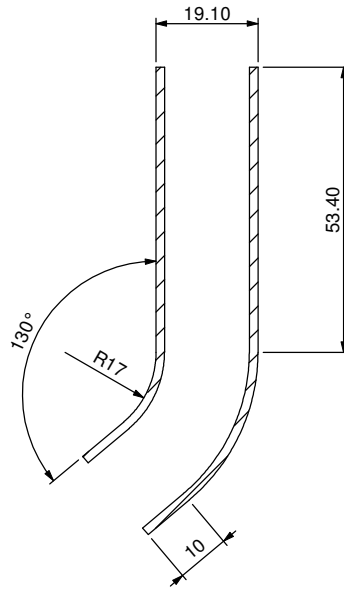
Valve Box

1.2 304 BA S/S

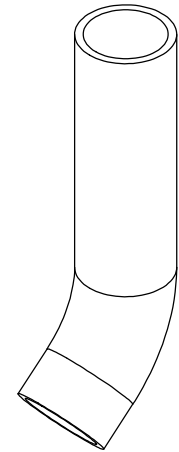
1 Req



FRONT VIEW



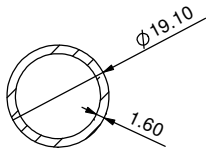
SECTION B-B



ISOMETRIC VIEW

Note: 1 of Req Per Unit

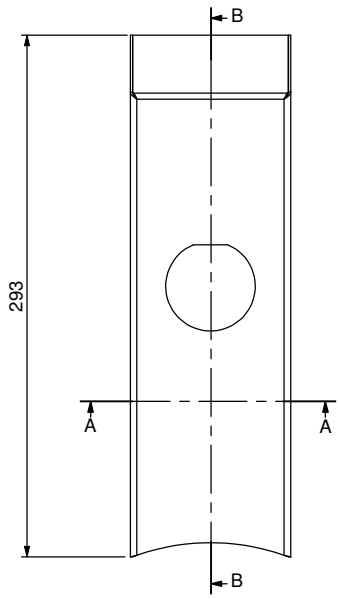
Material: 19.1 ϕ x 1.6 304 No 4 S/S TUBE



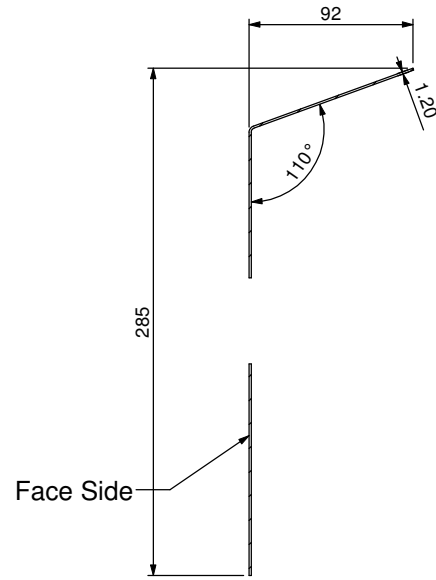
SECTION A-A

STODDART
MANUFACTURING
 TOM STODDART Pty Ltd ACN 009 690 251
 215 Jackson Rd Sunnybank Hills Qld 4109
 PO Box 420 Sunnybank Qld 4109
 Phone (617) 3345 5011 Fax (617) 3344 1000
 Email sunnybank@stoddart.com.au
Quality in stainless steel

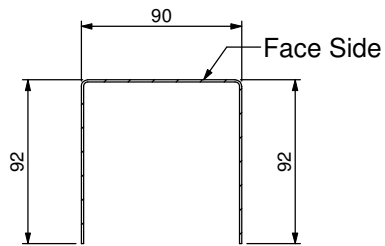
Press:		Programmed by:		Date:	Punch:	Die:	
PRODUCT: Manual Flush Tear Drop Urinal				PART No: SPPL UR T MS-p006			
DRAWN	J Pickels	SIGNATURE	DATE	UNLESS OTHERWISE SPECIFIED: DIMENSIONS ARE IN MILLIMETERS		DESCRIPTION: Inlet	
APPV'D			25/03/2008	MATERIAL: 304 N4 S/S		REVISION	
			THICKNESS:		DWG No: SPPL UR T MS-d001		
			FINISH:		A		
DO NOT SCALE DRAWING		This drawing remains the property of Tom Stoddart Pty Ltd & cannot be reproduced without prior permission.				A3	Sheet 4 of 8



FRONT VIEW



SECTION B-B

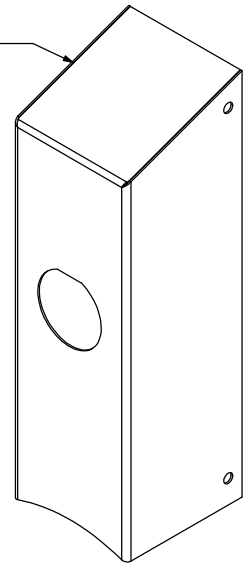


SECTION A-A

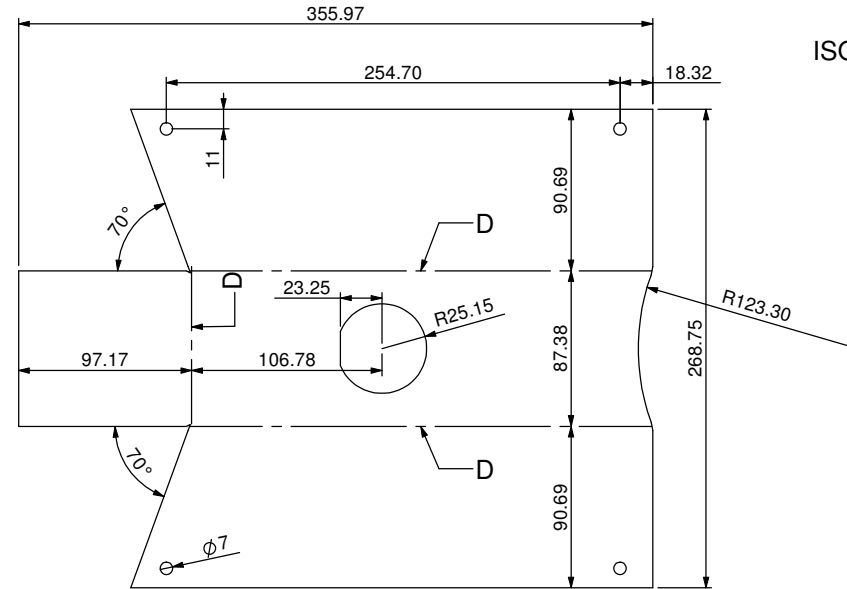
Note: 1 of Req Per Unit

Material: 1.2 304 B/A S/S

Weld and polish both top corners



ISOMETRIC VIEW

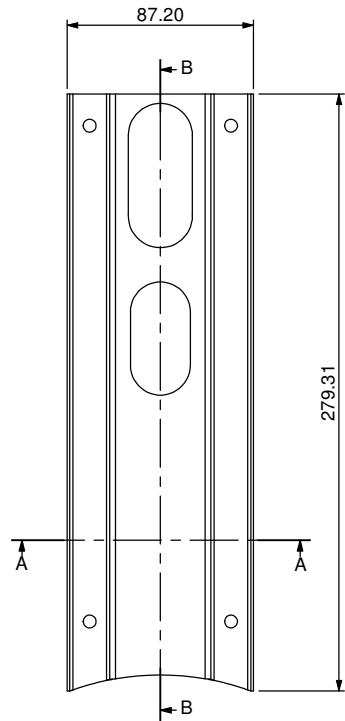


FLAT PATTERN

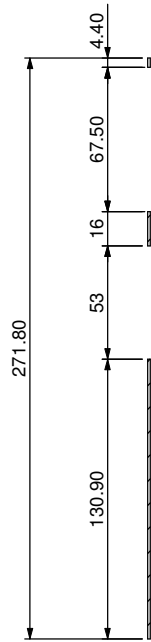
Press:	Programmed by:	Date:	Punch:	Die:
--------	----------------	-------	--------	------

STODDART MANUFACTURING
 TOM STODDART Pty Ltd ACN 009 690 251
 215 Jackson Rd Sunnybank Hills Qld 4109
 PO Box 420 Sunnybank Qld 4109
 Phone (617) 3345 5011 Fax (617) 3344 1000
 Email sunnybank@stoddart.com.au
Quality in stainless steel

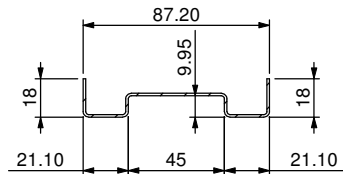
PRODUCT: Manual Flush Tear Drop Urinal				PART No: SPPL UR T MS-p007	
NAME	SIGNATURE	DATE	UNLESS OTHERWISE SPECIFIED: DIMENSIONS ARE IN MILLIMETERS	DESCRIPTION: Valve Box	
DRAWN J Pickels		25/03/2008			
APPV/D			MATERIAL: 304 BA S/S	REVISION	
			THICKNESS: 1.2	DWG No: SPPL UR T MS-d001	
			FINISH:	A	
DO NOT SCALE DRAWING			This drawing remains the property of Tom Stoddart Pty Ltd & cannot be reproduced without prior permission.		
			A3	Sheet 5 of 8	



FRONT VIEW



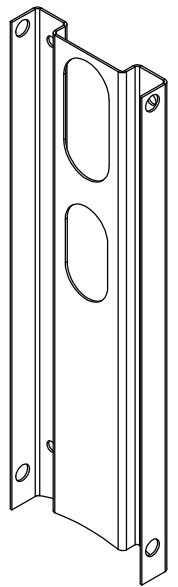
SECTION B-B



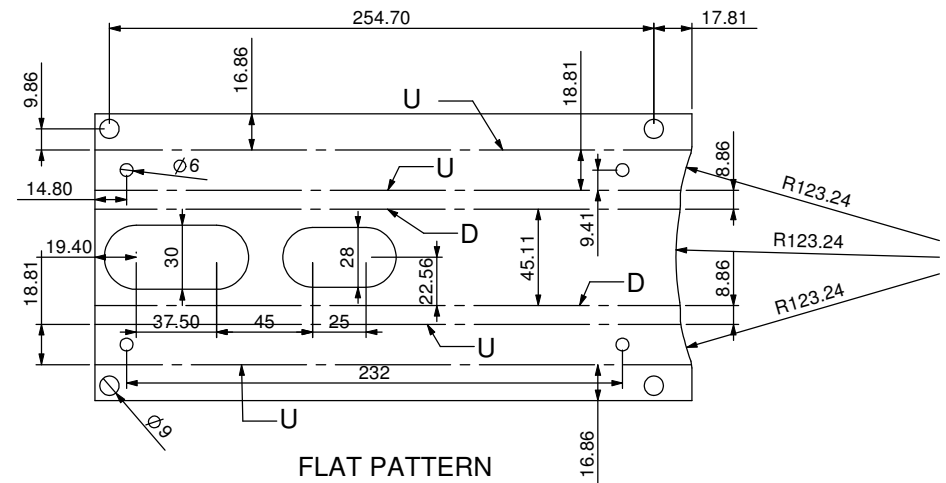
SECTION A-A

Note: 1 of Req Per Unit

Material: 1.2 304 No 4 S/S



ISOMETRIC VIEW

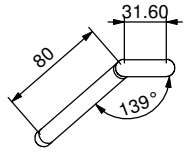


FLAT PATTERN

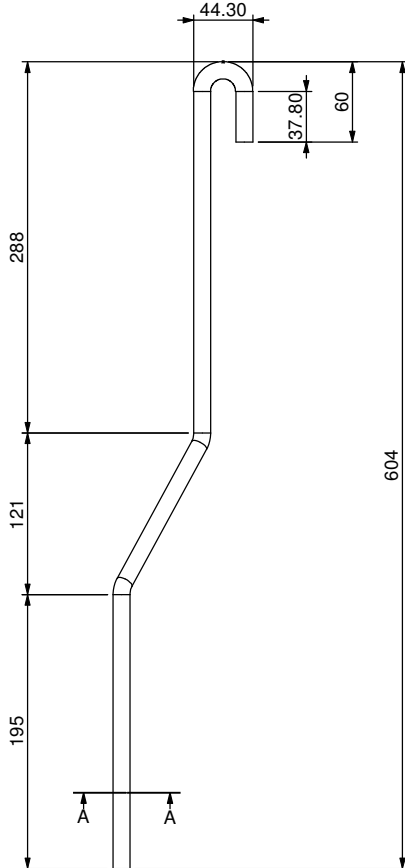
Press:	Programmed by:	Date:	Punch:	Die:
--------	----------------	-------	--------	------

STODDART MANUFACTURING
 TOM STODDART Pty Ltd ACN 009 690 251
 215 Jackson Rd Sunnybank Hills Qld 4109
 PO Box 420 Sunnybank Qld 4109
 Phone (617) 3345 5011 Fax (617) 3344 1000
 Email sunnybank@stoddart.com.au
Quality in stainless steel

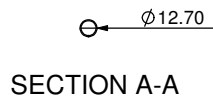
PRODUCT: Manual Flush Tear Drop Urinal				PART No: SPPL UR T MS-p008	
NAME	SIGNATURE	DATE	UNLESS OTHERWISE SPECIFIED: DIMENSIONS ARE IN MILLIMETERS	DESCRIPTION: Valve Box Fixing Channel	
DRAWN J Pickels		25/03/2008			
APPV/D			MATERIAL: 304 2B S/S	REVISION	
			THICKNESS: 1.2	A	
			FINISH:	DWG No: SPPL UR T MS-d001	
DO NOT SCALE DRAWING	This drawing remains the property of Tom Stoddart Pty Ltd & cannot be reproduced without prior permission.			A3	Sheet 6 of 8



PLAN VIEW

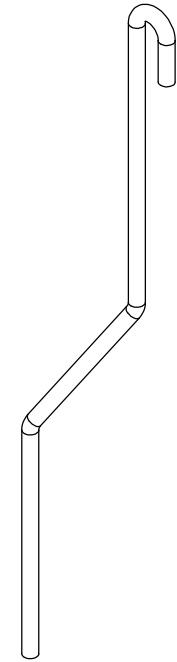


FRONT VIEW



Note: 1 of Req Per Unit

Material: 12.7 ϕ x .8 COPPER TUBE

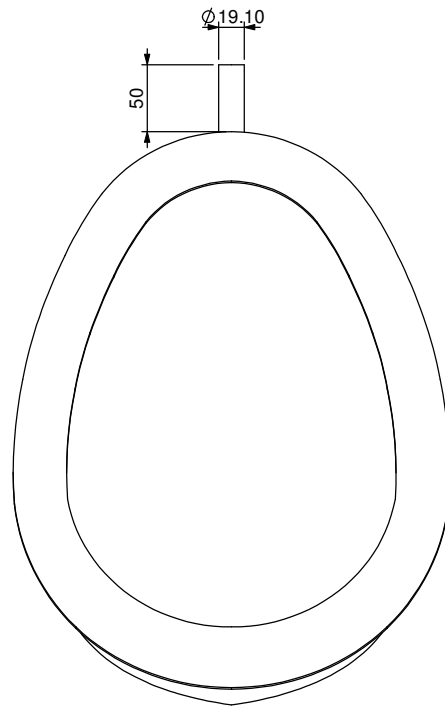
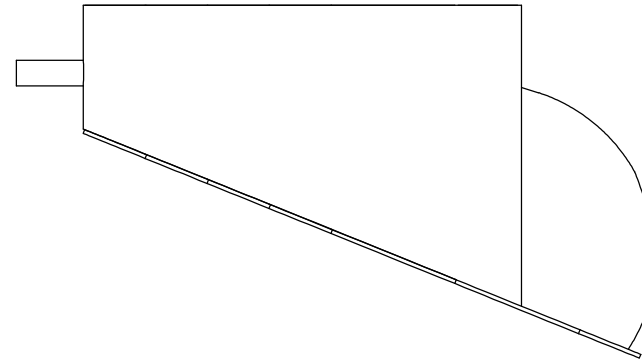
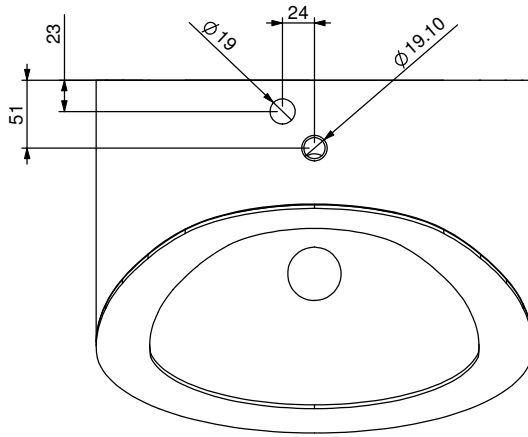


ISOMETRIC VIEW



**STODDART
MANUFACTURING**
TOM STODDART Pty Ltd ACN 009 690 251
215 Jackson Rd Sunnybank Hills Qld 4109
PO Box 420 Sunnybank Qld 4109
Phone (617) 3345 5011 Fax (617) 3344 1000
Email sunnybank@stoddart.com.au
Quality in stainless steel

PRODUCT: Manual Flush Tear Drop Urinal				Press:	Programmed by:	Date:	Punch:	Die:
DRAWN J Pickels				PART No: SPPL UR T MS-p010				
APPV/D				DESCRIPTION: Inlet Pipe				
UNLESS OTHERWISE SPECIFIED: DIMENSIONS ARE IN MILLIMETERS				DWG No: SPPL UR T MS-d001				
MATERIAL: THICKNESS: FINISH:				REVISION A				
DO NOT SCALE DRAWING				This drawing remains the property of Tom Stoddart Pty Ltd & cannot be reproduced without prior permission. A3 Sheet 7 of 8				



**STODDART
MANUFACTURING**

TOM STODDART Pty Ltd ACN 009 690 251
215 Jackson Rd Sunnybank Hills Qld 4109
PO Box 420 Sunnybank Qld 4109
Phone (617) 3345 5011 Fax (617) 3344 1000
Email sunnybank@stoddart.com.au

Quality in stainless steel

Press:	Programmed by:	Date:	Punch:	Die:
--------	----------------	-------	--------	------

PRODUCT: Manual Flush Tear Drop Urinal				PART No: SPPL UR T MS-d001	
DRAWN	J Pickels	SIGNATURE	DATE	UNLESS OTHERWISE SPECIFIED: DIMENSIONS ARE IN MILLIMETERS	DESCRIPTION: Tear Drop Urinal w/ Valve Housing
APPV'D				MATERIAL:	
				THICKNESS:	
				FINISH:	
DO NOT SCALE DRAWING				This drawing remains the property of Tom Stoddart Pty Ltd & cannot be reproduced without prior permission.	
				A3	Sheet 8 of 8
					REVISION A